

-- STATE OF NORTH CAROLINA--  
DEPARTMENT OF TRANSPORTATION  
RALEIGH, N.C.

**FINAL REQUEST FOR PROPOSALS**  
**DESIGN-BUILD PROJECT**



**TIP I-3819B / U-6039**

**July 17, 2018**



*VOID FOR BIDDING*

DATE AND TIME OF TECHNICAL AND PRICE PROPOSAL SUBMISSION: **September 27, 2018** BY **4:00 PM**

DATE AND TIME OF PRICE PROPOSAL OPENING: **October 16, 2018** AT **2:00 PM**

CONTRACT ID: C204163

WBS ELEMENT NO. 34192.3.2

FEDERAL-AID NO. N/A

COUNTY: Iredell

ROUTE NO. I-40 / I-77

MILES: 4.0

LOCATION: Statesville – I-40 / I-77 Interchange: I-40 from SR 2003 (Radio Road) to SR 2158 (Old Mocksville Road); I-77 from SR 2171 (Jane Sowers Road) to SR 2321 (East Broad Street); and SR 2321 (East Broad Street) from Vine Street to SR 2422 (Signal Hill Drive)

TYPE OF WORK: DESIGN-BUILD AS SPECIFIED IN THE SCOPE OF WORK  
CONTAINED IN THE REQUEST FOR PROPOSALS

NOTICE:

ALL PROPOSERS SHALL COMPLY WITH ALL APPLICABLE LAWS REGULATING THE PRACTICE OF GENERAL CONTRACTING AS CONTAINED IN CHAPTER 87 OF THE GENERAL STATUTES OF NORTH CAROLINA WHICH REQUIRES THE PROPOSER TO BE LICENSED BY THE N.C. LICENSING BOARD FOR CONTRACTORS WHEN BIDDING ON ANY NON-FEDERAL AID PROJECT WHERE THE BID IS \$30,000 OR MORE, EXCEPT FOR CERTAIN SPECIALTY WORK AS DETERMINED BY THE LICENSING BOARD. PROPOSERS SHALL ALSO COMPLY WITH ALL OTHER APPLICABLE LAWS REGULATING THE PRACTICES OF ELECTRICAL, PLUMBING, HEATING AND AIR CONDITIONING AND REFRIGERATION CONTRACTING AS CONTAINED IN CHAPTER 87 OF THE GENERAL STATUTES OF NORTH CAROLINA. NOT WITHSTANDING THESE LIMITATIONS ON BIDDING, THE PROPOSER WHO IS AWARDED ANY PROJECT SHALL COMPLY WITH CHAPTER 87 OF THE GENERAL STATUTES OF NORTH CAROLINA FOR LICENSING REQUIREMENTS WITHIN 60 CALENDAR DAYS OF BID OPENING, REGARDLESS OF FUNDING SOURCES.

\_\_\_\_\_ 5% BID BOND OR BID DEPOSIT REQUIRED  
\_\_\_\_\_

**PROPOSAL FORM FOR THE CONSTRUCTION OF CONTRACT NO. C204163  
IN IREDELL COUNTY, NORTH CAROLINA**

Date \_\_\_\_\_ 20 \_\_\_\_\_

**DEPARTMENT OF TRANSPORTATION,  
RALEIGH, NORTH CAROLINA**

The Design-Build Team herein acknowledges that it has carefully examined the location of the proposed work to be known as Contract No. C204163; has carefully examined the Final Request for Proposals (RFP) and all addendums thereto, specifications, special provisions, the form of contract, and the forms of contract payment bond and contract performance bonds, which are acknowledged to be part of the Contract; and thoroughly understands the stipulations, requirements and provisions. The undersigned Design-Build Team agrees to be bound upon their execution of the Contract and including any subsequent award to them by the Secretary of Transportation in accordance with this Contract to provide the necessary contract payment bond and contract performance bond within fourteen calendar days after the written notice of award is received by them.

The undersigned Design-Build Team further agrees to provide all necessary materials, machinery, implements, appliances, tools, labor, and other means of construction, except as otherwise noted, to perform all the work and required labor to design, construct and complete all the work necessary for State Highway Contract No. C204163 in Iredell County by no later than the dates(s) specified in the Final RFP or Technical Proposal, whichever is earlier, and in accordance with the requirements of the Engineer, the Final RFP and Addenda thereto, the 2018 *Standard Specifications for Roads and Structures*, specifications prepared by the Department, the Technical Proposal prepared by the Design-Build Team, at the lump sum price(s) bid by the Design-Build Team in their Price Proposal.

The Design-Build Team shall provide signed and sealed documents prepared by the Design-Build Team, which specifications and plans show the details covering this project and adhere to the items noted above.

The Design-Build Team acknowledges that project documents furnished by the Department are preliminary and provided solely to assist the Design-Build Team in the development of the project design. Unless otherwise noted herein, the Department does not warrant or guarantee the sufficiency or accuracy of any information furnished by the Department.

The Department does not warrant or guarantee the sufficiency or accuracy of any investigations made, nor the interpretations made or opinions of the Department as to the type of materials and conditions to be encountered at the project site. The Design-Build Team is advised to make such independent investigations, as they deem necessary to satisfy their self as to conditions to be encountered on this project. The Design-Build Team shall have no claim for additional compensation or for an extension of contract time for any reason resulting from the actual conditions encountered at the site differing from those indicated in any of the information or documents furnished by the Department except as may be allowed under the provisions of the Standard Specifications.

Although the Department has furnished preliminary designs for this project, unless otherwise noted herein, the Design-Build Team shall assume full responsibility, including liability, for the

project design, including the use of portions of the Department design, modification of such design, or other designs as may be submitted by the Design-Build Team.

The Design-Build Team shall be fully and totally responsible for the accuracy and completeness of all work performed under this contract, and shall indemnify and hold the Department harmless for any additional costs and all claims against the Department or the State which may arise due to errors or omissions of the Department in furnishing the preliminary project designs and information, and of the Design-Build Team in performing the work.

The published volume entitled *North Carolina Department of Transportation, Raleigh, Standard Specifications for Roads and Structures*, January 2018, as well as, all design manuals, policy and procedures manuals, and AASHTO publications and guidelines referenced in the Request For Proposals, with all amendments and supplements thereto, are by reference, incorporated and made part of this contract; that, except as herein modified, all the design, construction and Construction Engineering Inspection included in this contract is to be done in accordance with the documents noted above and under the direction of the Engineer.

If the Design-Build Proposal is accepted and the award is made, the Technical Proposal submitted by the Design-Build Team is by reference, incorporated and made part of this contract. The contract is valid only when signed either by the Contract Officer or such other person as may be designated by the Secretary to sign for the Department of Transportation. The conditions and provisions herein cannot be changed except by written approval as allowed by the Request for Proposals.

Accompanying the Design-Build Proposal shall be a bid bond secured by a corporate surety, or certified check payable to the order of the Department of Transportation, for five percent of the total bid price, which deposit is to be forfeited as liquidated damages in case this bid is accepted and the Design-Build Team shall fail to provide the required payment and performance bonds with the Department of Transportation, under the condition of this proposal, within 14 calendar days after the written notice of award is received by them, as provided in the Standard Specifications; otherwise said deposit will be returned to the Design-Build Team.

## TABLE OF CONTENTS

### **COVER SHEET**

### **PROPOSAL SHEETS**

<b>PROJECT SPECIAL PROVISIONS</b>	<i>PAGE NO.</i>
Contract Time and Liquidated Damages .....	1
Other Liquidated Damages and Incentives .....	1
Payout Schedule .....	2
Mobilization .....	3
Substantial Completion .....	3
Submittal of Quantities, Fuel Base Index Price and Opt-Out Option .....	4
Individual Meetings with Proposers .....	5
Partnering .....	6
Execution of Bid, Non-Collusion Affidavit, Debarment Certification and Gift Ban Certification .....	6
Submission of Design-Build Proposal .....	7
Alternative Technical Concepts and Confidential Questions .....	8
Schedule of Estimated Completion Progress .....	13
Minority and Women Business Enterprises .....	14
Contractor's License Requirements .....	29
Subsurface Information .....	29
Cooperation Between Contractors .....	29
Bid Documentation .....	30
Twelve Month Guarantee .....	33
Outsourcing Outside the USA. ....	34
Permanent Vegetation Establishment .....	34
Erosion & Sediment Control / Stormwater Certification .....	34
Procedure for Monitoring Borrow Pit Discharge .....	40
Clearing and Grubbing .....	42
Building and Appurtenance Removal / Demolition .....	42
Manufactured Quarry Fines in Embankments .....	42
Reinforced Concrete Pipe Design .....	44
Drainage Pipe .....	45
Cement Treated Base Course .....	46
Price Adjustments for Asphalt Binder .....	47
Price Adjustments - Asphalt Concrete Plant Mix .....	48
Field Office .....	48
Geotextile for Pavement Stabilization .....	51
Foundations and Anchor Rod Assemblies for Metal Poles .....	52
Overhead and Dynamic Message Sign Foundations .....	59
Roadway Lighting Foundations .....	61
Lighting .....	63
High Visibility Traffic Control Devices .....	79

Work Zone Performance Pavement Markings.....81  
 Work Zone Traffic Pattern Masking.....86  
 Black Epoxy Pavement Marking Material.....89  
 Sequential Flashing Warning Lights.....93  
 Work Zone Presence Lighting .....96  
 Work Zone Digital Speed Limit Signs.....99  
 Sound Barrier Wall .....101  
 Architectural Concrete Surface Treatment .....103  
 Diamond Grinding Concrete Pavement .....108  
 Nonwoven Geotextile Interlayer.....110  
 Greenways and Multi-Use Paths.....112  
 Typical Median Access Area .....114  
**GENERAL** .....123

**SCOPES OF WORK**

Roadway .....142  
 Environmental Permits.....157  
 Erosion and Sedimentation Control.....163  
 GeoEnvironmental .....179  
 Geotechnical Engineering.....181  
 Hydraulics.....191  
 ITS.....200  
 Lighting.....205  
 Pavement Management.....207  
 Pavement Markings .....217  
 Public Information .....220  
 Right of Way.....223  
 Signing .....229  
 Structures .....238  
 Traffic Signal, Signal Communication and Signal System Timing .....242  
 Transportation Management.....255  
 Utilities Coordination.....280

**STANDARD SPECIAL PROVISIONS**

Plant and Pest Quarantines.....288  
 Rock and Broken Pavement Fills.....289  
 Bridge Approach Fills.....289  
 Automated Fine Grading.....291  
 Alternate Bridge Approach Fills for Integral Abutments .....292  
 Aggregate Subgrade .....294  
 Final Surface Testing.....295  
 Subsurface Drainage .....295  
 Asphalt Concrete Plant Mix Pavements .....295

Guardrail End Units, Type M-350.....298

Guardrail End Units, Type TL-3.....299

Impact Attenuator Units, Type 350 (TL-3).....300

Guardrail Anchor Units and Temporary Guardrail Anchor Units.....300

Temporary Shoring .....301

On-the-Job Training.....312

Availability of Funds – Termination of Contracts.....315

NCDOT General Seed Specifications for Seed Quality .....316

Title VI and Nondiscrimination.....319

Minimum Wages.....329

Division One .....330

**PROPOSAL FORMS - ITEMIZED SHEET, ETC.**

- Itemized Proposal Sheet (TAN SHEET)
- Fuel Usage Factor Chart and Estimate of Quantities
- Listing of MBE / WBE Subcontractors
- Execution of Bid, Non-Collusion Affidavit, Debarment Certification and Gift Ban Certification
- Signature Sheet

**\*\*\* PROJECT SPECIAL PROVISIONS \*\*\*****CONTRACT TIME AND LIQUIDATED DAMAGES**

(7-12-7)

DB1 G04A

The date of availability for this contract is **November 26, 2018**, except that the Design-Build Team shall only begin ground disturbing activities as allowed by this Request for Proposals (RFP). The Design-Build Team shall consider this factor in determining the proposed completion date for this project.

The completion date for this contract is defined as the date proposed in the Technical Proposal by the proposer who is awarded the project. The completion date thus proposed shall not be later than **November 1, 2022**.

When observation periods are required by the special provisions, they are not a part of the work to be completed by the completion date and / or intermediate contract times. Should an observation period extend beyond the Final Completion Date proposed by the Design-Build Team in the Technical Proposal, the performance and payment bonds shall remain in full force and effect until the observation period has been completed and the work accepted by the Department.

The liquidated damages for this contract are **Twenty Thousand Dollars (\$20,000.00)** per calendar day. As an exception to this amount, where the contract has been determined to be substantially complete as defined by the *Substantial Completion* Project Special Provision found elsewhere in this RFP, the liquidated damages will be reduced to **Five Thousand Dollars (\$5,000.00)** per calendar day.

Where the Design-Build Team who is awarded the contract has proposed a completion date for the contract as required above, but also has proposed an earlier date for substantial completion, then both of these proposed dates will become contract requirements.

Liquidated damages of **Twenty Thousand Dollars (\$20,000.00)** per calendar day will be applicable to the early date for substantial completion proposed by the bidder. Liquidated damages of **Five Thousand Dollars (\$5,000.00)** per calendar day will be applicable to the Final Completion Date proposed by the bidder where the Design-Build Team has proposed an earlier date for substantial completion.

**OTHER LIQUIDATED DAMAGES AND INCENTIVES**

(3-22-7) (Rev. 2-14-8)

DB1 G11

Reference the Transportation Management Scope of Work found elsewhere in this RFP for more information on the following time restrictions and liquidated damages:

Liquidated Damages for Intermediate Contract Time #1 for lane narrowing, lane closure, holiday and special event time restrictions for I-40 and I-77 including all collector distributors, ramps and loops are \$2,500.00 per 15-minute period or any portion thereof.

Liquidated Damages for Intermediate Contract Time #2 for lane narrowing and lane closure time restrictions for Broad Street, US 64, Eastside Drive and Old Mocksville Road are \$1,500.00 per 15-minute period or any portion thereof.

Liquidated Damages for Intermediate Contract Time #3 for road closure time restrictions for I-40 and I-77 including all collector distributors, ramps and loops are \$5,000.00 per 15-minute period or any portion thereof.

Liquidated Damages for Intermediate Contract Time #4 for road closure time restrictions for Broad Street and US 64 are \$2,500.00 per 15-minute period or any portion thereof.

Liquidated Damages for Intermediate Contract Time #5 for road closure time restrictions for Simonton Road are \$1,000.00 per calendar day or any portion thereof.

Liquidated Damages for Intermediate Contract Time #6 for road closure time restrictions for Eastside Drive are \$1500.00 per 15-minute period or any portion thereof.

**Liquidated Damages for ITS apply to this project.**

Liquidated Damages for Intermediate Contract Time #7 for failure to reestablish ITS fiber optic communications within 72 hours are \$2,500.00 per calendar day or any portion thereof.

Liquidated Damages for Intermediate Contract Time #8 for failure to provide a plan that defines 1) an anticipated ITS cellular communications disruption timeframe and 2) a plan of action for reestablishing ITS cellular communications a minimum of 21 days prior to a proposed disruption in service are \$10,000.00 per failure.

**Damages for Erosion and Sedimentation Control efforts apply to this project.**

Reference the Erosion and Sedimentation Control Scope of Work found elsewhere in this RFP for additional information under the Liquidated Damages Section.

**PAYOUT SCHEDULE**

(11-16-09)

DB1 G13

No later than 12:00 o'clock noon on the sixth day after the opening of the Price Proposal, the responsive proposer with the lowest adjusted price shall submit a proposed Anticipated Monthly Payout Schedule to the office of the State Contract Officer. The information shall be submitted in a sealed package with the outer wrapping clearly marked "Anticipated Monthly Payout Schedule" along with the Design-Build Team name and the contract number. The Anticipated Monthly Payout Schedule will be used by the Department to establish the monthly funding levels for this project. The Anticipated Monthly Payout Schedule shall parallel, and agree with, the project schedule the Design-Build Team submits as a part of their Technical Proposal. The schedule shall include a monthly percentage breakdown (in terms of the total contract amount percentages) of the work anticipated to be completed. The schedule shall begin with the Date of Availability and end with the Actual Completion Date proposed by the Design-Build Team. If



the Payout Schedule is not submitted as stated herein, the Technical and Price Proposals will be considered irregular by the Department, and the bid may be rejected.

Submit updates of the Anticipated Monthly Payout Schedule on March 15, June 15, September 15, and December 15 of each calendar year until project acceptance. Submit all updates to the Resident Engineer with a copy to the State Construction Engineer at 1 South Wilmington St, 1543 Mail Service Center, Raleigh, NC 27699-1543.

### **MOBILIZATION**

(8-28-17)

DB1 G15B

Revise the 2018 *Standard Specifications for Roads and Structures* as follows:

### **Page 8-1, Subarticle 800-2, MEASUREMENT AND PAYMENT**

Delete this subarticle in its entirety and replace with the following:

#### **800-2 MEASUREMENT AND PAYMENT**

Ten percent of the “Total Amount of Bid for Entire Project” shall be considered the lump sum amount for Mobilization. Partial payments for Mobilization will be made beginning with the first partial pay estimate paid on the contract. Payment will be made at the rate of 75 percent of the lump sum amount calculated for Mobilization. The remaining 25 percent will be paid with the partial pay estimate following approval of all permits required in the Environmental Permits Scope of Work for this project.

### **SUBSTANTIAL COMPLETION**

(3-22-07)

DB1 G16

When the special provisions provide for a reduction in the rate of liquidated damages for the contract time or an intermediate contract time after the work is substantially complete, the work will be considered substantially complete when the following requirements are satisfied:

1. Through traffic has been placed along the project or along the work required by an intermediate contract time and the work is complete to the extent specified below, and all lanes and shoulders are open such that traffic can move unimpeded at the posted speed. Intersecting roads and service roads are complete to the extent that they provide the safe and convenient use of the facility by the public.
2. The final layers of pavement for all lanes and shoulders along the project or along the work required by an intermediate contract time are complete.
3. Excluding signs on intersecting roadways, all signs are complete and accepted.
4. All guardrails, drainage devices, ditches, excavation and embankment are complete.

5. Remaining work along the project consists of permanent pavement markings, permanent pavement markers or incidental construction that is away from the paved portion of the roadway.

Upon apparent substantial completion of the entire project or the work required by an intermediate contract time, the Engineer will make an inspection of the work. If the inspection discloses the entire project or the work required by an intermediate contract time is substantially complete; the Engineer will notify the Design-Build Team in writing that the work is substantially complete. If the inspection discloses the entire project or the work required by an intermediate contract time is not substantially complete, the Engineer will notify the Design-Build Team in writing of the work that is not substantially complete. The entire project or the work required by an intermediate contract time will not be considered substantially complete until all of the recommendations made at the time of the inspection have been satisfactorily completed.

#### **SUBMITTAL OF QUANTITIES, FUEL BASE INDEX PRICE AND OPT-OUT OPTION**

1/23/14

DB1 G43

##### **(A) Submittal of Quantities**

**Submit quantities** on the *Fuel Usage Factor Chart and Estimate of Quantities* sheet, located in the back of this RFP, following the Itemized Proposal Sheet.

The Design-Build Team shall prepare an Estimate of Quantities that they anticipate incorporating into the completed project and upon which the Price Proposal was based. The quantity breakdown shall include all items of work that appear in the *Fuel Usage Factor Chart and Estimate of Quantities* sheet. Only those items of work which are specifically noted in the *Fuel Usage Factor Chart and Estimate of Quantities* sheet will be subject to fuel price adjustments.

**Submittal** The submittal shall be signed and dated by an officer of the Design-Build Team. The information shall be copied and submitted in a separate sealed package with the outer wrapping clearly marked "Fuel Price Adjustment" and shall be delivered at the same time and location as the Technical and Price Proposal. The original shall be submitted in the Price Proposal.

**Trade Secret** Information submitted on the *Fuel Usage Factor Chart and Estimate of Quantities* sheet will be considered "Trade Secret" in accordance with the requirements of G.S. 66-152(3) until such time as the Price Proposal is opened.

##### **(B) Base Index Price**

The Design-Build Team's Estimate of Quantities will be used on the various partial payment estimates to determine fuel price adjustments. The Design-Build Team shall submit a payment request for quantities of work completed based on the work completed for that estimate period. The quantities requested for partial payment shall be reflective of the work actually accomplished for the specified period. The Design-Build Team shall

certify that the quantities are reasonable for the specified period. The base index price for DIESEL #2 FUEL is **\$2.1965** per gallon.

**(C) Opt Out of Fuel Price Adjustment**

If the Design-Build Team elects not to pursue reimbursement for Fuel Price Adjustments, a quantity of zero shall be entered for all quantities in the *Fuel Usage Factor Chart and Estimate of Quantities* sheet and the declination box shall be checked. Failure to complete this form will mean that the Design-Build Team is declining the Fuel Price Adjustments for this project.

**(D) Change Option**

The proposer will not be permitted to change the option after the Price Proposal and the copy of the *Fuel Usage Factor Chart and Estimate of Quantities* sheet are submitted.

**(E) Failure to Submit**

Failure to submit the completed *Fuel Usage Factor Chart and Estimate of Quantities* sheet separately and in the Price Proposal will result in the Technical and Price Proposal being considered irregular by the Department and the Technical and Price Proposal may be rejected.

**INDIVIDUAL MEETINGS WITH PROPOSERS**

(9-1-11)

DB1 G048

The Department will provide at least two Question and Answer Sessions to meet with each proposer individually to specifically address questions regarding the draft Requests for Proposals.

After issuance of the First Industry Draft RFP, the Department will attempt to arrange a meeting between each individual proposer and the affected utility owners.

The Department will afford each proposer one additional meeting with the Department (maximum two-hour time limit) to discuss project specifics and address the proposer's concerns and questions. This meeting may occur at any time after the first Question and Answer Session with the proposers and before two weeks prior to the Technical and Price Proposals submittal date. The proposer shall request this meeting in writing to the State Contract Officer, providing the Department a minimum of one week advance notice of the requested date. The proposer shall also state in the request those disciplines within the Department that are requested to be in attendance. The Department makes no assurance that the request may be honored on that specific date or that all disciplines requested can be in attendance.

Additional individual meetings may be permitted in accordance with the *Alternative Technical Concepts and Confidential Questions* Project Special Provision found elsewhere in this RFP.

**PARTNERING**

07/29/09

DB1 G49

As a part of its quality management program, the North Carolina Department of Transportation intends to encourage the formation of a cohesive relationship with the Design-Build Team and its principal subcontractors and suppliers. This relationship will be structured to draw on the strengths of each organization to identify and achieve reciprocal goals. The objectives are safe, effective, and efficient contract performance; and completion within budget, on schedule, and in accordance with the plans and specifications.

This relationship will be bilateral in makeup and participation will be totally voluntary. The cost associated with effectuating this relationship will be agreed to by both parties and shall be shared equally. Compensation for the Department's share of the partnering costs will be by Supplemental Agreement.

To implement this initiative prior to starting work in accordance with the requirements of Section 108 of the Standard Specifications and the Standard Special Provision for Division One (found elsewhere in this RFP), and prior to the preconstruction conference, the Design-Build Team's management personnel and Division Construction Engineer will initiate a partnering development seminar/team building workshop. Project personnel working with the assistance of the Construction Unit will make arrangements to determine attendees at the workshop, agenda of the workshop, duration, and location. Persons required to be in attendance will be the NCDOT Resident Engineer, the NCDOT Division Construction Engineer, and key project personnel; the Design-Build Team's senior management personnel, the Design-Build Team's on-site project manager, and key project supervisory personnel for both the Design-Build Team and principal subcontractors and suppliers. The project design engineers, FHWA, and key local government personnel will also be invited to attend as necessary.

Follow-up workshops may be held periodically throughout the duration of the contract as agreed by the Design-Build Team and the North Carolina Department of Transportation. In the event that additional workshops are held, compensation for the Department's share of the follow-up partnering workshops will be by Supplemental Agreement.

The establishment of the partnering charter on a project will not change the legal relationship to the contract nor relieve either party from any of the terms of the contract.

**EXECUTION OF BID, NON-COLLUSION AFFIDAVIT, DEBARMENT CERTIFICATION AND GIFT BAN CERTIFICATION**

(1/24/13)

DB1 G52

The Proposer's attention is directed to the various sheets in the Request for Proposals which are to be signed by the Proposer. A list of these sheets is shown below. The signature sheets are located behind the Itemized Proposal Sheet in this Request for Proposal. The NCDOT bid bond form is available on-line at:

**<https://connect.ncdot.gov/letting/Pages/Design-Build-Resources.aspx>**

or by contacting the Records and Documents office at 919-707-6900.

1. Applicable Signature Sheets: 1, 2, 3, 4, 5, or 6 (Bid)
2. Bid Bond dated the day of Technical and Price Proposal submission

The Proposer shall certify to the best of his knowledge all subcontractors, material suppliers and vendors utilized herein current status concerning suspension, debarment, voluntary exclusion, or determination of ineligibility by any federal agency, in accordance with the "Debarment Certification" located behind the *Execution of Bid Non-Collusion Affidavit, Debarment Certification and Gift Ban Certification* signature sheets in this RFP. Execution of the bid signature sheets in conjunction with any applicable statements concerning exceptions, when such statements have been made on the "Debarment Certification", constitutes the Proposer's certification of "status" under penalty of perjury under the laws of the United States.

### **SUBMISSION OF DESIGN-BUILD PROPOSAL**

(9-1-11) Rev. (8-30-17)

DB1 G55B

The Proposer's attention is directed that each Proposer's Design-Build Proposal shall comply with the following requirements in order for that Design-Build Proposal to be responsive and considered for award.

1. The Proposer shall be prequalified with the Department prior to submitting a Design-Build Proposal.
2. The Proposer shall deliver the Design-Build Proposal to the place indicated, and prior to the time indicated in this Request for Proposals.
3. The Design-Build Proposal documents shall be signed by an authorized employee of the Proposer.
4. The Design-Build Proposal shall be accompanied by Bid surety in the form of a Bid Bond or Bid Deposit, dated the day of Technical and Price Proposal submission.
5. If Minority and Women's Business Enterprise (MBE / WBE) goals are established for this contract, the Proposer shall complete the form Listing of MBE / WBE Subcontractors contained elsewhere in this RFP in accordance with the *Minority Business Enterprise and Women Business Enterprise* Project Special Provision found elsewhere in this RFP.
6. The Design-Build Proposal shall address all the requirements as specified in this Request for Proposals.

In addition to the above requirements, failure to comply with any of the requirements of Article 102-8 of the Standard Special Provisions, Division One (found elsewhere in this RFP), Article 102-9 of the 2018 *Standard Specifications for Roads and Structures*, or Article 102-10 of the 2018 *Standard Specifications for Roads and Structures* and as amended in the Standard

Special Provisions, Division One (found elsewhere in this RFP) may result in a Design-Build Proposal being rejected.

### **ALTERNATIVE TECHNICAL CONCEPTS AND CONFIDENTIAL QUESTIONS**

(6-8-11) (Rev. 7-20-17)

DB1 G56A

To accommodate innovation that may or may not be specifically allowed by the RFP, or other documents incorporated into the contract by reference, the Design-Build Team has the option of submitting Confidential Questions and Alternative Technical Concepts.

#### **Definitions**

A Confidential Question is defined as a private query to the Department containing information whose disclosure could alert others to certain details of doing business in a particular manner.

An Alternative Technical Concept is a private query to the Department that requests a variance to the requirements of the RFP, or other documents incorporated into the contract by reference, that is equal or better in quality or effect, as determined by the Department in its sole discretion, and that have been used elsewhere under comparable circumstances.

#### **Confidential Questions**

The Design-Build Team will be permitted to ask Confidential Questions of the Department, and neither the question nor the answer will be shared with other Design-Build Teams. The Department, in its sole discretion, will determine if a question is considered confidential.

Confidential Questions arising prior to issuance of the Final RFP will be allowed during the industry review of the draft RFP with the individual Design-Build Teams. The Department will answer the Confidential Question verbally at the industry review meeting, if possible, and / or through subtle changes in the Final RFP, which will clarify the scope by either allowing or disallowing the request. To the greatest extent possible, the revision will be made in such a manner as to not disclose the Confidential Question.

After the issuance of the Final RFP, Confidential Questions may be asked by requesting a meeting with the State Contract Officer. The request shall be in writing and provide sufficient detail to evaluate the magnitude of the request. Questions shall be of such magnitude as to warrant a special meeting. Minor questions will not be acknowledged or answered. After evaluation, the State Contract Officer will respond to the question in writing to the Design-Build Team and / or through subtle changes in the Final RFP as reflected in an addendum, which will clarify the scope by either allowing or disallowing the request. To the greatest extent possible, the revision will be made in such a manner as to not disclose the Confidential Question.

If the Design-Build Team includes work based on the Confidential Questions and answers, the work shall be discussed in the Technical Proposal.

## Alternative Technical Concepts

The Design-Build Team will be allowed to submit a maximum of five Alternative Technical Concepts. Excluding (1) Formal ATCs that are submitted in response to the Department's favorable review of a Preliminary ATC and (2) ATCs that are deemed to take advantage of an error or omission in the RFP, all ATCs submitted by the Design-Build Team shall count towards the maximum number of allowable ATCs, regardless of the Department's response. (e.g. an ATC submitted by the Design-Build Team that the Department deems does not qualify as an ATC shall count towards the maximum number of allowable ATCs). Should the Design-Build Team submit a single ATC with multiple concepts, the Department may 1) return the unevaluated ATC to the proposer requiring resubmittals that contain an individual concept or 2) consider the ATC submittal multiple ATCs that count towards the maximum number of allowable ATCs.

Initial ATC submittals shall be submitted in accordance with the following deadlines:

- The Design-Build Team will be allowed to submit the maximum number of allowable ATCs prior to the Final RFP distribution.
- The Design-Build Team will be allowed to submit a maximum of two ATCs after the Final RFP distribution provided (1) the ATC submittal does not exceed the aforementioned maximum number of allowable ATCs and (2) the ATC is received by the Department no later than five weeks prior to the deadline for submitting the Technical and Price Proposals.

The Design-Build Team may include an ATC in the Technical and Price Proposal only if the ATC was received by the Department in accordance with the requirements noted above and it has been approved by the Department (including conditionally approved ATCs, if all conditions are met).

The submittal deadlines above only apply to initial ATC submittals. Resubmittal of an ATC that (1) has been revised in response to the Department's requests for further information concerning a prior submittal, (2) is a Formal ATC for a Preliminary ATC that received a favorable response from the Department, or (3) requests approval of additional required variances to the RFP requirements that were omitted in the original ATC submittal shall be received by the Department no later than two weeks prior to the deadline for submitting Technical and Price Proposals.

The Design-Build Team shall be solely responsible for reviewing all versions of the RFP, including all Addenda, and determining variances required by a Formal ATC. The Design-Build Team is cautioned that the Department's approval in no way implies that the Design-Build Team has requested approval of all the required variances to the RFP requirements. Additionally, should the Department revise the RFP after a Formal ATC has been approved, the Design-Build Team shall be solely responsible for reviewing the RFP and determining if the ATC deviates from the revised requirements. If necessary, the Design-Build Team must submit a request for approval of all additional required variance(s) no later than two weeks prior to the deadline for submitting Technical and Price Proposals.

An ATC shall in no way take advantage of an error or omission in the RFP, or other documents incorporated into the contract by reference. If, at the sole discretion of the Department, an ATC is deemed to take advantage of an error or omission in the RFP, or other documents incorporated into the contract by reference, the RFP will be revised without regard to confidentiality. If at any time, the Department receives a documented question on the project similar to a concept submitted in the form of a Preliminary ATC or Formal ATC, the Department reserves the right to revise the RFP without further regard for confidentiality.

By approving an ATC, the Department acknowledges that the ATC may be included in the design and RFC Plans; however, approval of any ATC in no way relieves the Design-Build Team of its obligation to satisfy (1) other contract requirements not specifically identified in the ATC submittal; (2) any obligation that may arise under applicable laws and regulations; and (3) any obligation mandated by the regulatory agencies as a permit condition.

### **ATC Submittals**

Each ATC submittal shall include three individually bound hard copies and an electronic .pdf file of the entire submittal and shall be submitted to the State Contract Officer at the address provided elsewhere in this RFP. Excluding the ATC distribution letter and supporting information that is provided as an attachment, the ATC shall not include any reference to the submitter's identity.

### **Formal ATCs**

Each Formal ATC submittal shall include the following information:

- 1) **Description** - A detailed description and schematic drawings of the configuration of the ATC or other appropriate descriptive information (including, if appropriate, product details [i.e., specifications, construction tolerances, special provisions] and a traffic operational analysis, if appropriate)
- 2) **Usage** - Where and how the ATC would be used on the project
- 3) **Deviations** - References to all RFP requirements, or other documents incorporated into the contract by reference, that are inconsistent with the proposed ATC, an explanation of the nature of the deviations from said requirements, and a request for approval of such variance(s)
- 4) **Analysis** - An analysis justifying use of the ATC and why the variance to the RFP requirements, or other documents incorporated into the contract by reference, should be allowed
- 5) **Impacts** - Discussion of potential impacts on vehicular traffic, environmental impacts identified, community impact, safety and life-cycle project impacts, and infrastructure costs (including impacts on the cost of repair and maintenance)
- 6) **History** - A detailed description of other projects where the ATC has been used, the success of such usage, and names and telephone numbers of project owners that can confirm such statements
- 7) **Risks** - A description of added risks to the Department and other entities associated with implementing the ATC



- 8) **Costs** - An estimate of the ATC implementation costs to the Department, the Design-Build Team, and other entities (right of way, utilities, mitigation, long term maintenance, etc.)

The Formal ATC, if approved, shall be included in the Price Proposal if the Design-Build Team elects to include it in their Technical Proposal.

### **Review of ATCs**

A panel will be selected to review each ATC, which may or may not include members of the Technical Review Committee. The Design-Build Team shall make no direct contact with any member of the review panel, except as may be permitted by the State Contract Officer. Unapproved contact with any member of the review panel will result in a disqualification of that ATC.

The Department may request additional information regarding a proposed ATC at any time. To the greatest extent possible, the Department will return responses to, or request additional information from, the Design-Build Team within 15 business days of the original submittal of a Formal ATC. If additional information is requested, the Department will provide a response within five business days of receipt of all requested information.

The Department may conduct confidential one-on-one meeting(s) to discuss the Design-Build Team's ATC. Under no circumstances will the Department be responsible or liable to the Design-Build Team or any other party as a result of disclosing any ATC materials, whether the disclosure is deemed required by law, by a court order, or occurs through inadvertence, mistake or negligence on the part of the Department or their respective officers, employees, contractors, or consultants.

In the event that the Department receives ATCs from more than one Design-Build Team that are deemed by the Department, in its sole discretion, to be similar in nature, the Department reserves the right to modify the RFP without further regard for confidentiality.

### **The Department Response to Formal ATCs**

The Department will review each Formal ATC and will respond to the Design-Build Team with one of the following determinations:

- 1) The ATC is approved.
- 2) The ATC is not approved.
- 3) The ATC is not approved in its present form, but may be approved upon satisfaction, in the Department's sole discretion, of certain identified conditions that shall be met or certain clarifications or modifications that shall be made (conditionally approved).

- 4) The submittal does not qualify as an ATC but may be included in the Design-Build Proposal without an ATC (i.e., the concept complies with the baseline requirements of the RFP).
- 5) The submittal does not qualify as an ATC and may not be included in the Design-Build Proposal.
- 6) The ATC is deemed to take advantage of an error or omission in the RFP, or other documents incorporated into the contract by reference, in which case the ATC will not be considered, and the RFP will be revised to correct the error or omission.
- 7) A documented question has been received outside of the ATC process on the same topic and the RFP will be revised to address that question.
- 8) More than one ATC has been received on the same topic and the Department has elected to exercise its right to revise the RFP. This response could also follow and supersede one of the other previously supplied responses above.
- 9) The ATC contains multiple concepts and has not been considered. Should the Design-Build Team wish to pursue one or more of the concepts presented in the ATC, a submittal for each individual concept will be required.

### **Formal ATC Inclusion in Technical Proposal**

The Design-Build Team may incorporate one or more approved Formal ATCs as part of its Technical and Price Proposals. If the Department responded to a Formal ATC by stating that it would be approved if certain conditions were met, those conditions shall be stipulated and met in the Technical Proposal.

In addition to outlining each implemented Formal ATC, and providing assurances to meet all attached conditions, the Design-Build Team shall also include a copy of the Formal ATC approval letter from the State Contract Officer in each of the twelve Technical Proposals submitted. This letter will be included in the distribution of the Technical Proposals to the Technical Review Committee.

Approval of a Formal ATC in no way implies that the Formal ATC will receive a favorable review from the Technical Review Committee. The Technical Proposals will be evaluated in regards to the evaluation criteria found in this RFP, regardless of whether or not Formal ATCs are included.

The Price Proposal shall reflect all incorporated Formal ATCs. Except for incorporating approved Formal ATCs, the Technical Proposal may not otherwise contain exceptions to, or deviations from, the requirements of the RFP, or other documents incorporated into the contract by reference.

## Preliminary ATCs

At the Design-Build Team's option, a Preliminary ATC submittal may be made that presents a concept and a brief narrative of the benefits of said concept. The purpose of allowing such a Preliminary ATC is to limit the Design-Build Team's expense in the pursuit of a Formal ATC that may be quickly denied by the Department.

To the greatest extent possible, the Department will review Preliminary ATCs within ten business days of submittal and provide written comments that include one of the responses noted below. The Department's response to a Preliminary ATC submittal will be either (1) that the Preliminary ATC is denied; (2) that the Preliminary ATC would be considered as a Formal ATC if the Team so elects to pursue a Formal ATC submission; (3) that an ATC is not required; (4) a documented question has been received outside of the ATC process on the same topic and the RFP will be revised to address that question; (5) more than one ATC has been received on the same topic and the Department has elected to exercise its right to revise the RFP; (6) that the ATC takes advantage of an error or omission in the RFP or other documents incorporated into the contract by reference, in which case the ATC will not be considered and the RFP will be revised to correct the error or omission; or (7) the ATC contains multiple concepts and has not been considered, in which case an ATC for each individual concept will be required. The Department in no way warrants that a favorable response to a Preliminary ATC submittal will translate into a favorable response to a Formal ATC submittal. Likewise, a favorable response to a Preliminary ATC submittal is not sufficient to include the ATC in a Technical Proposal.

## **SCHEDULE OF ESTIMATED COMPLETION PROGRESS**

(9-1-11) (Rev. 8/31/17)

DB1 G58

The Design-Build Team's attention is directed to the *Availability of Funds - Termination of Contracts* Standard Special Provision found elsewhere in this RFP. The Department of Transportation's schedule of estimated completion progress for this project, as required by that Standard Special Provision, is as follows:

<u>Fiscal Year</u>	<u>Progress (% of Dollar Value)</u>
2019 (07/01/18 – 06/30/19)	10% of Total Amount Bid
2020 (07/01/19 – 06/30/20)	34% of Total Amount Bid
2021 (07/01/20 – 06/30/21)	33% of Total Amount Bid
2022 (07/01/21 – 06/30/22)	20% of Total Amount Bid
2023 (07/01/22 – 06/30/23)	3% of Total Amount Bid

The Design-Build Team shall also furnish its own progress schedule in accordance with Article 108-2 of the 2018 *Standard Specifications for Roads and Structures*. Any acceleration of the progress as shown by the Design-Build Team's progress schedule over the progress as shown above shall be subject to the approval of the Engineer.

**MINORITY BUSINESS ENTERPRISE AND WOMEN BUSINESS ENTERPRISE**

(10-16-07) (Rev. 3-2-18)

102-15(J)

DB1 G66

**Description**

The purpose of this project special provision is to carry out the North Carolina Department of Transportation's policy of ensuring nondiscrimination in the award and administration of contracts financed in whole or in part with State funds.

**Definitions**

*Additional MBE / WBE Subcontractors* - Any MBE / WBE submitted at the time of bid that will not be used to meet the Combined MBE / WBE Goal. No submittal of a Letter of Intent is required, unless the additional participation is used for banking purposes.

*Combined MBE / WBE Goal*: A portion of the total contract, expressed as a percentage that is to be performed by committed MBE / WBE subcontractors.

*Committed MBE / WBE Subcontractor* - Any MBE / WBE submitted at the time of bid that is being used to meet the Combined MBE / WBE Goal by submission of a Letter of Intent. Or any MBE or WBE used as a replacement for a previously committed MBE or WBE firm.

*Contract Goal Requirement* - The approved participation at time of award, but not greater than the contract Combined MBE / WBE Goal.

*Goal Confirmation Letter* - Written documentation from the Department to the Proposer confirming the Design-Build Team's approved, committed participation along with a listing of the committed MBE and WBE firms.

*Manufacturer* - A firm that operates or maintains a factory or establishment that produces on the premises, the materials or supplies obtained by the Design-Build Team.

*MBE Participation (Anticipated)* - A portion of the total contract, expressed as a percentage, that is to be performed by committed MBE subcontractor(s).

*Minority Business Enterprise (MBE)* - A firm certified as a Disadvantaged Minority-Owned Business Enterprise through the North Carolina Unified Certification Program.

*Regular Dealer* - A firm that owns, operates, or maintains a store, warehouse, or other establishment in which the materials or supplies required for the performance of the contract are bought, kept in stock, and regularly sold to the public in the usual course of business. A regular dealer engages in, as its principal business and in its own name, the purchase and sale or lease of the products in question. A regular dealer in such bulk items as steel, cement, gravel, stone, and petroleum products need not keep such products in stock, if it owns and operates distribution equipment for the products. Brokers and packagers are not regarded as manufacturers or regular dealers within the meaning of this section.

*North Carolina Unified Certification Program (NCUCP)* - A program that provides comprehensive services and information to applicants for MBE / WBE certification. The MBE / WBE program follows the same regulations as the federal Disadvantaged Business Enterprise (DBE) program in accordance with 49 CFR Part 26.

*United States Department of Transportation (USDOT)* - Federal agency responsible for issuing regulations (49 CFR Part 26) and official guidance for the DBE program.

*WBE Participation (Anticipated)*- A portion of the total contract, expressed as a percentage, that is anticipated to be performed by committed WBE subcontractor(s).

*Women Business Enterprise (WBE)* - A firm certified as a Disadvantaged Women-Owned Business Enterprise through the North Carolina Unified Certification Program.

### **Forms and Websites Referenced in this Provision**

*Payment Tracking System* - On-line system in which the Design-Build Team enters the payments made to MBE and WBE subcontractors who have performed work on the project.

**<https://apps.dot.state.nc.us/Vendor/PaymentTracking/>**

*DBE-IS Subcontractor Payment Information* - Form for reporting the payments made to all MBE / WBE firms working on the project. This form is for paper bid projects only.

**<https://connect.ncdot.gov/business/Turnpike/Documents/Form%20DBE-IS%20Subcontractor%20Payment%20Information.pdf>**

*RF-1 MBE / WBE Replacement Request Form* - Form for replacing a committed MBE or WBE.

**<http://connect.ncdot.gov/projects/construction/Construction%20Forms/DBE%20MBE%20WBE%20Replacement%20Request%20Form.pdf>**

*SAF Subcontract Approval Form* - Form required for approval to sublet the contract.

**<http://connect.ncdot.gov/projects/construction/Construction%20Forms/Subcontract%20Approval%20Form%20Rev.%202012.zip>**

*JC-1 Joint Check Notification Form* - Form and procedures for joint check notification. The form acts as a written joint check agreement among the parties providing full and prompt disclosure of the expected use of joint checks.

**<http://connect.ncdot.gov/projects/construction/Construction%20Forms/Joint%20Check%20Notification%20Form.pdf>**

*Letter of Intent* - Form signed by the Contractor and the MBE / WBE subcontractor, manufacturer or regular dealer that affirms that a portion of said contract is going to be performed by the signed MBE / WBE for the amount listed at the time of bid.

**<http://connect.ncdot.gov/letting/LetCentral/Letter%20of%20Intent%20to%20Perform%20as%20a%20Subcontractor.pdf>**

*Listing of MBE and WBE Subcontractors Form* - Form for entering MBE / WBE subcontractors on a project that will meet the Combined MBE and WBE Goal continued elsewhere in the RFP. This form is for paper bids only.

**<https://connect.ncdot.gov/municipalities/Pages/Bid-Proposals-for-LGA.aspx>**

*Subcontractor Quote Comparison Sheet* - Spreadsheet for showing all subcontractor quotes in the work areas where MBEs and WBEs quoted on the project. This sheet is submitted with good faith effort packages.

**<http://connect.ncdot.gov/business/SmallBusiness/Documents/DBE%20Subcontractor%20Quote%20Comparison%20Example.xls>**

### **COMBINED MBE / WBE Goal**

The Combined MBE / WBE Goal for this project is **8.0 %**

The Combined MBE / WBE Goal was established utilizing the following anticipated participation for Minority Business Enterprises and Women Business Enterprises:

(A) Minority Business Enterprises **3.0%**

- (1) *If the anticipated MBE participation is more than zero*, the Design-Build Team shall exercise all necessary and reasonable steps to ensure that MBEs participate in at least the percent of the contract as set forth above.
- (2) *If the anticipated MBE participation is zero*, the Design-Build Team shall make an effort to recruit and use MBEs during the performance of the contract. Any MBE participation obtained shall be reported to the Department.

(B) Women Business Enterprises **5.0%**

- (1) *If the anticipated WBE participation is more than zero*, the Design-Build Team shall exercise all necessary and reasonable steps to ensure that WBEs participate in at least the percent of the contract as set forth above as the WBE goal.
- (2) *If the anticipated WBE participation is zero*, the Design-Build Team shall make an effort to recruit and use WBEs during the performance of the contract. Any WBE participation obtained shall be reported to the Department.

The Proposer is required to submit only participation to meet the Combined MBE / WBE Goal. The Combined MBE / WBE Goal may be met by submitting all MBE participation, all WBE participation, or a combination of MBE and WBE participation.

### **Directory of Transportation Firms (Directory)**

Real-time information is available about firms doing business with the Department and firms that are certified through NCUCP in the Directory of Transportation Firms. Only firms identified in the Directory as MBE and WBE certified shall be used to meet the Combined MBE / WBE Goal. The Directory can be found at the following link:

**<https://www.ebs.nc.gov/VendorDirectory/default.html>**

The listing of an individual firm in the directory shall not be construed as an endorsement of the firm's capability to perform certain work.

### **Listing of MBE / WBE Subcontractors**

At the time of bid, Proposers shall submit all MBE and WBE participation that they anticipate to use during the life of the contract. Only those identified to meet the Combined MBE / WBE Goal will be considered committed, even though the listing shall include both committed MBE / WBE subcontractors and additional MBE / WBE subcontractors. Any additional MBE / WBE subcontractor participation above the goal for which letters of intent are received will follow the banking guidelines found elsewhere in this provision. All other additional MBE / WBE subcontractor participation submitted at the time of bid will be used toward the Department's overall race-neutral goals. Only those firms with current MBE and WBE certification at the time of Price Proposal opening will be acceptable for listing in the Proposer's submittal of MBE and WBE participation. The Design-Build Team shall indicate the following required information:

- (1) *If either the Combined MBE / WBE Goal is more than zero,*
  - (a) Proposers, at the time the Price Proposal is submitted, shall submit a listing of MBE / WBE participation, including the names and addresses on *Listing of MBE and WBE Subcontractors* contained elsewhere in the contract documents in order for the Price Proposal to be considered responsive. Proposers shall indicate the total dollar value of the MBE and WBE participation for the contract.
  - (b) If Proposers have no MBE or WBE participation, they shall indicate this on the *Listing of MBE and WBE Subcontractors* by entering the word "None" or the number "0." This form shall be completed in its entirety. **Blank forms will not be deemed to represent zero participation.** Price Proposals submitted that do not have MBE and WBE participation indicated on the appropriate form will not be read publicly during the

opening of Price Proposals. The Department will not consider these Price Proposals for award and the proposal will be rejected.

- (c) The Proposer shall be responsible for ensuring that the MBE / WBE is certified at the time of bid by checking the Directory of Transportation Firms. If the firm is not certified at the time of the opening of the Price Proposals, that MBE's or WBE's participation will not count towards achieving the Combined MBE / WBE Goal.
- (2) *If the Combined MBE / WBE Goal is zero*, entries on the *Listing of MBE and WBE Subcontractors* are not required for the zero goal, however any MBE or WBE participation that is achieved during the project shall be reported in accordance with requirements contained elsewhere in the special provision.

### **MBE or WBE Prime Contractor**

When a certified MBE or WBE firm proposes on a contract that contains a Combined MBE / WBE Goal, the firm is responsible for meeting the Combined MBE / WBE Goal or making good faith efforts to meet the Goal, just like any other proposer. In most cases, a MBE or WBE proposer on a contract will meet the Combined MBE / WBE Goal by virtue of the work it performs on the contract with its own forces. However, all the work that is performed by the MBE or WBE proposer and any other similarly certified subcontractors will count toward the Goal. The MBE or WBE proposer shall list itself along with any MBE or WBE subcontractors, if any, in order to receive credit toward the Combined MBE / WBE Goal.

MBE / WBE prime contractors shall also follow Sections A and B listed under *Listing of MBE and WBE Subcontractor* just as a non-MBE / WBE proposer would.

### **Written Documentation – Letter of Intent**

The Proposer shall submit written documentation for each MBE / WBE that will be used to meet the contract Combined MBE / WBE Goal, indicating the Proposer's commitment to use the MBE / WBE in the contract. This documentation shall be submitted on the Department's form titled *Letter of Intent*.

The documentation shall be received in the office of the State Contractor Utilization Engineer or at [DBE@ncdot.gov](mailto:DBE@ncdot.gov) no later than 10:00 a.m. on the sixth calendar day following opening of, Price Proposals unless the sixth day falls on an official state holiday. In that situation, it is due in the office of the State Contractor Utilization Engineer no later than 10:00 a.m. on the next official state business day.

If the Proposer fails to submit the Letter of Intent from each committed MBE and WBE to be used toward the Combined MBE / WBE Goal, or if the form is incomplete (i.e. both signatures are not present), the MBE / WBE participation will not count toward meeting the Combined MBE / WBE Goal. If the lack of this participation drops the commitment below the Combined MBE / WBE Goal, the Design-Build Team shall submit evidence of good faith efforts for the



Goal, completed in its entirety, to the State Contractor Utilization Engineer or DBE@ncdot.gov no later than 10:00 a.m. on the eighth calendar day following opening of Price Proposals, unless the eighth day falls on an official state holiday. In that situation, it is due in the office of the State Contractor Utilization Engineer no later than 10:00 a.m. on the next official state business day.

### **Submission of Good Faith Effort**

If the Proposer fails to meet or exceed the Combined MBE / WBE Goal, the Proposer with the apparent adjusted low price shall submit to the Department documentation of adequate good faith efforts made to reach the Combined MBE / WBE Goal.

A hard copy and an electronic copy of this information shall be received in the office of the State Contractor Utilization Engineer or at DBE@ncdot.gov no later than 10:00 a.m. on the sixth calendar day following opening of Price Proposals unless the sixth day falls on an official state holiday. In that situation, it would be due in the office of the State Contractor Utilization Engineer no later than 10:00 a.m. on the next official state business day. If the Design-Build Team cannot send the information electronically, then one complete set and nine copies of this information shall be received under the same time constraints above.

Note: Where the information submitted includes repetitious solicitation letters, it will be acceptable to submit a representative letter along with a distribution list of the firms that were solicited. Documentation of MBE / WBE quotations shall be a part of the good faith effort submittal. This documentation may include written subcontractor quotations, telephone log notations of verbal quotations, or other types of quotation documentation.

### **Consideration of Good Faith Effort for Projects with a Combined MBE / WBE Goal More Than Zero**

Adequate good faith efforts mean that the Proposer took all necessary and reasonable steps to achieve the Combined MBE / WBE Goal which, by their scope, intensity, and appropriateness, could reasonably be expected to obtain sufficient MBE / WBE participation. Adequate good faith efforts also mean that the Proposer actively and aggressively sought MBE / WBE participation. Mere *pro forma* efforts are not considered good faith efforts.

The Department will consider the quality, quantity, and intensity of the different kinds of efforts a Proposer has made. Listed below are examples of the types of actions a Proposer will take in making a good faith effort to meet the goals and are not intended to be exclusive or exhaustive, nor is it intended to be a mandatory checklist.

- (A) Soliciting through all reasonable and available means (e.g. attendance at pre-bid meetings, advertising, written notices, use of verifiable electronic means through the use of the NCDOT Directory of Transportation Firms) the interest of all certified MBEs / WBEs that are also prequalified subcontractors. The Proposer must solicit this interest within at least ten days prior to the opening of the Price Proposals to allow the MBEs / WBEs to respond to the solicitation. Solicitation shall provide the opportunity to MBEs / WBEs within the Division and surrounding Divisions where the project is located. The

Proposer must determine with certainty if the MBEs / WBEs are interested by taking appropriate steps to follow up initial solicitations.

- (B) Selecting portions of the work to be performed by MBEs / WBEs in order to increase the likelihood that the Combined MBE / WBE Goal will be achieved.
  - 1) Where appropriate, break out contract work items into economically feasible units to facilitate MBE / WBE participation, even when the prime contractor might otherwise prefer to perform these work items with its own forces.
  - 2) Negotiate with subcontractors to assume part of the responsibility to meet the contract Combined MBE / WBE Goal when the work to be sublet includes potential for MBE / WBE participation (2<sup>nd</sup> and 3<sup>rd</sup> tier subcontractors).
- (C) Providing interested certified MBEs / WBEs, that are also prequalified subcontractors, with adequate information about the plans, specifications, and requirements of the contract in a timely manner to assist them in responding to a solicitation.
- (D)
  - (1) Negotiating in good faith with interested MBEs / WBEs. It is the Proposer's responsibility to make a portion of the work available to MBE / WBE subcontractors and suppliers and to select those portions of the work or material needs consistent with the available MBE / WBE subcontractors and suppliers, so as to facilitate MBE / WBE participation. Evidence of such negotiation includes the names, addresses, and telephone numbers of MBEs / WBEs that were considered; a description of the information provided regarding the plans and specifications for the work selected for subcontracting; and evidence as to why additional agreements could not be reached for MBEs / WBEs to perform the work.
  - (2) A Proposer using good business judgment would consider a number of factors in negotiating with subcontractors, including MBE / WBE subcontractors, and would take a firm's price and capabilities, as well as the contract Combined MBE / WBE Goal into consideration. However, the fact that there may be some additional costs involved in finding and using MBEs / WBEs is not in itself sufficient reason for a proposer's failure to meet the contract Combined MBE / WBE Goal, as long as such costs are reasonable. Also, the ability or desire of a prime contractor to perform the work of a contract with its own organization does not relieve the Proposer of the responsibility to make good faith efforts. Proposing Design-Build Teams are not, however, required to accept higher quotes from MBEs / WBEs if the price difference is excessive or unreasonable.
- (E) Not rejecting MBEs / WBEs as being unqualified without sound reasons based on a thorough investigation of their capabilities. The Proposer's standing within its industry, membership in specific groups, organizations, or associates and political or social affiliations (for example, union vs. non-union employee status) are not legitimate causes

for the rejection or non-solicitation of Price Proposals in the Proposer's efforts to meet the project Goal.

- (F) Making efforts to assist interested MBEs / WBEs in obtaining bonding, lines of credit, or insurance as required by the recipient or Proposer.
- (G) Making efforts to assist interested MBEs / WBEs in obtaining necessary equipment, supplies, materials, or related assistance or services.
- (H) Effectively using the services of available minority / women community organizations; minority / women contractors' groups; Federal, State, and local minority / women business assistance offices; and other organizations as allowed on a case-by-case basis to provide assistance in the recruitment and placement of MBEs / WBEs. Contact within seven days from the opening of the Price Proposals the Business Opportunity and Work Force Development Unit at DBE@ncdot.gov to give notification of the Proposer's inability to get MBE or WBE quotes.
- (I) Any other evidence that the Proposer submits which shows that the Proposer has made reasonable good faith efforts to meet the contract Combined MBE / WBE Goal.

In addition, the Department may take into account the following:

- (1) Whether the Proposer's documentation reflects a clear and realistic plan for achieving the Combined MBE / WBE Goal.
- (2) The Proposers' past performance in meeting the contract goal.
- (3) The performance of other proposers in meeting the Combined MBE / WBE Goal. For example, when the Proposer with the apparent adjusted low price fails to meet the Combined MBE / WBE Goal, but others meet it, you may reasonably raise the question of whether, with additional reasonable efforts the Proposer with the apparent adjusted low price could have met the Goal. If the Proposer with the apparent adjusted low price fails to meet the Combined MBE / WBE Goal, but meets or exceeds the average MBE and WBE participation obtained by other proposers, the Department may view this, in conjunction with other factors, as evidence of the Proposer with the apparent adjusted low price having made a good faith effort.

If the Department does not award the contract to the Proposer with the apparent adjusted low price, the Department reserves the right to award the contract to the Proposer with the next adjusted lowest adjusted price that can satisfy to the Department that the Combined MBE / WBE Goal can be met or that an adequate good faith effort has been made to meet the Combined MBE / WBE Goal.

**Non-Good Faith Appeal**

The State Contractual Services Engineer will notify the Design-Build Team verbally and in writing of non-good faith. A Design-Build Team may appeal a determination of non-good faith made by the Goal Compliance Committee. If a Design-Build Team wishes to appeal the determination made by the Committee, they shall provide written notification to the State Contractual Services Engineer or at DBE@ncdot.gov. The appeal shall be made within two business days of notification of the determination of non-good faith.

**Counting MBE / WBE Participation Toward Meeting the Combined MBE / WBE Goal****(A) Participation**

The total dollar value of the participation by a committed MBE / WBE will be counted toward the contract goal requirements. The total dollar value of participation by a committed MBE / WBE will be based upon the value of work actually performed by the MBE / WBE and the actual payments to MBE / WBE firms by the Design-Build Team.

**(B) Joint Checks**

Prior notification of joint check use shall be required when counting MBE / WBE participation for services or purchases that involves the use of a joint check. Notification shall be through submission of Form JC-1 (*Joint Check Notification Form*) and the use of joint checks shall be in accordance with the Department's Joint Check Procedures.

**(C) Subcontracts (Non-Trucking)**

A MBE / WBE may enter into subcontracts. Work that a MBE subcontracts to another MBE firm may be counted towards the anticipated MBE participation. The same holds true for work that a WBE subcontracts to another WBE firm. Work that a MBE / WBE subcontracts to a non-MBE / WBE firm does not count toward the contract goal requirement. It should be noted that every effort shall be made by MBE and WBE contractors to subcontract to the same certification (e.g. MBEs to MBEs and WBEs to WBEs), in order to fulfill the MBE or WBE participation breakdown. This, however, may not always be possible due to the limitation of firms in the area. If a MBE or WBE Firm shows good faith effort has been made to reach out to similarly certified firms and there is no interest or availability, and they can get assistance from other certified firms, the Engineer will not hold the prime contractor responsible for meeting the individual MBE or WBE breakdown. If a MBE or WBE contractor or subcontractor subcontracts a significantly greater portion of the contract work than would be expected on the basis of standard industry practices, it shall be presumed that the MBE or WBE is not performing a commercially useful function.

(D) Joint Venture

When a MBE or WBE performs as a participant in a joint venture, the Design-Build Team may count toward its contract goal requirement a portion of the total value of participation with the MBE or WBE in the joint venture, that portion of the total dollar value being a distinct clearly defined portion of work that the MBE or WBE performs with its forces.

(E) Suppliers

A Design-Build Team may count toward its MBE or WBE requirement 60.0 percent of its expenditures for materials and supplies required to complete the contract and obtained from a MBE or WBE regular dealer and 100.0 percent of such expenditures from a MBE or WBE manufacturer.

(F) Manufacturers and Regular Dealers

A Design-Build Team may count toward its MBE or WBE requirement the following expenditures to MBE / WBE firms that are not manufacturers or regular dealers:

- (1) The fees or commissions charged by a MBE / WBE firm for providing a *bona fide* service, such as professional, technical, consultant, or managerial services; or for providing bonds or insurance specifically required for the performance of a DOT-assisted contract, provided the fees or commissions are determined to be reasonable and not excessive as compared with fees and commissions customarily allowed for similar services.
- (2) With respect to materials or supplies purchased from a MBE / WBE, which is neither a manufacturer nor a regular dealer, count the entire amount of fees or commissions charged for assistance in the procurement of the materials and supplies, or fees or transportation charges for the delivery of materials or supplies required on a job site (but not the cost of the materials and supplies themselves), provided the fees are determined to be reasonable and not excessive as compared with fees customarily allowed for similar services.

### **Commercially Useful Function**

(A) MBE / WBE Utilization

The Design-Build Team may count toward its contract goal requirement only expenditures to MBEs and WBEs that perform a commercially useful function in the work of a contract. A MBE / WBE performs a commercially useful function when it is responsible for execution of the work of the contract and is carrying out its responsibilities by actually performing, managing, and supervising the work involved. To perform a commercially useful function, the MBE / WBE shall also be responsible with respect to materials and supplies used on the contract, for negotiating price, determining

quality and quantity, ordering the material and installing (where applicable) and paying for the material itself. To determine whether a MBE / WBE is performing a commercially useful function, the Department will evaluate the amount of work subcontracted, industry practices, whether the amount the firm is to be paid under the contract is commensurate with the work it is actually performing and the MBE / WBE credit claimed for its performance of the work, and any other relevant factors. If it is determined that a MBE or WBE is not performing a Commercially Useful Function, the Design-Build Team may present evidence to rebut this presumption to the Department.

(B) MBE / WBE Utilization in Trucking

The following factors will be used to determine if a MBE or WBE trucking firm is performing a commercially useful function.

- (1) The MBE / WBE shall be responsible for the management and supervision of the entire trucking operation for which it is responsible on a particular contract, and there shall not be a contrived arrangement for the purpose of meeting the Combined MBE / WBE Goal.
- (2) The MBE / WBE shall itself own and operate at least one fully licensed, insured, and operational truck used on the contract.
- (3) The MBE / WBE receives credit for the total value of the transportation services it provides on the contract using trucks it owns, insures, and operates using drivers it employs.
- (4) The MBE may subcontract the work to another MBE firm, including an owner-operator who is certified as a MBE. The same holds true that a WBE may subcontract the work to another WBE firm, including an owner-operator who is certified as a WBE. When this occurs, the MBE or WBE who subcontracts work receives credit for the total value of the transportation services the subcontracted MBE or WBE provides on the contract. It should be noted that every effort shall be made by MBE and WBE contractors to subcontract to the same certification (i.e., MBEs to MBEs and WBEs to WBEs), in order to fulfill the participation breakdown. This, however, may not always be possible due to the limitation of firms in the area. If the MBE or WBE firm shows a good faith effort has been made to reach out to similarly certified transportation service providers and there is no interest or availability, and they can get assistance from other certified providers, the Engineer will not hold the prime contractor responsible for meeting the individual MBE or WBE participation breakdown.
- (5) The MBE / WBE may also subcontract the work to a non-MBE / WBE firm, including from an owner-operator. The MBE / WBE who subcontracts the work to a non-MBE / WBE is entitled to credit for the total value of transportation services provided by the non-MBE / WBE subcontractor not to exceed the value of transportation services provided by MBE / WBE-owned trucks on the contract.

Additional participation by non-MBE / WBE subcontractors receives credit only for the fee or commission it receives as a result of the subcontract arrangement. The value of services performed under subcontract agreements between the MBE / WBE and the Design-Build Team will not count towards the MBE / WBE contract requirement.

- (6) A MBE / WBE may lease truck(s) from an established equipment leasing business open to the general public. The lease must indicate that the MBE / WBE has exclusive use of and control over the truck. This requirement does not preclude the leased truck from working for others during the term of the lease with the consent of the MBE / WBE, so long as the lease gives the MBE / WBE absolute priority for use of the leased truck. This type of lease may count toward the MBE / WBE's credit as long as the driver is under the MBE / WBE's payroll.
- (7) Subcontracted / leased trucks shall display clearly on the dashboard the name of the MBE / WBE that they are subcontracted / leased to and their own company name if it is not identified on the truck itself. Magnetic door signs are not permitted.

### **Banking MBE / WBE Credit**

If the Price Proposal of the Proposer with the apparent adjusted low price exceeds \$500,000.00 and if the committed MBE / WBE participation submitted by Letter of Intent exceeds the algebraic sum of the Combined MBE / WBE Goal by \$1,000.00 or more, the excess will be placed on deposit by the Department for future use by the Proposer. Separate accounts will be maintained for MBE and WBE participation and these may accumulate for a period not to exceed 24 months.

When the Proposer with the apparent adjusted low price fails to submit sufficient participation by MBE and WBE firms to meet the contract Combined MBE / WBE Goal, as part of the good faith effort, the Department will consider allowing the Proposer to withdraw funds to meet the Combined MBE / WBE Goal, as long as there are adequate funds available from the Proposer's MBE and WBE bank accounts.

### **MBE / WBE Replacement**

When a Design-Build Team has relied on a commitment to a MBE or WBE firm (or an approved substitute MBE or WBE firm) to meet all or part of a contract goal requirement, the Design-Build Team shall not terminate the MBE / WBE for convenience. This includes, but is not limited to, instances in which the Design-Build Team seeks to perform the work of the terminated subcontractor with another MBE / WBE subcontractor, a non-MBE / WBE subcontractor, or with the Design-Build Team's own forces or those of an affiliate. A MBE / WBE may only be terminated after receiving the Engineer's written approval based upon a finding of good cause for the termination. The prime contractor, or any other affiliated company within the Design-Build Team, must give the MBE/WBE firm five calendar days to respond to the prime contractor's, or any other affiliated company within the Design-Build Team, notice of

termination and advise the prime contractor, or any other affiliated company within the Design-Build Team, and the Department of the reasons, if any, why the firm objects to the proposed termination of its subcontract and why the Department should not approve the action.

All requests for replacement of a committed MBE / WBE firm shall be submitted to the Engineer for approval on Form RF-1 (*Replacement Request*). If the Design-Build Team fails to follow this procedure, the prime contractor or other affiliated companies within the Design-Build Team may be disqualified from further bidding for a period of up to six months.

The Design-Build Team shall comply with the following for replacement of a committed MBE / WBE:

(A) Performance Related Replacement

When a committed MBE / WBE is terminated for good cause as stated above, an additional MBE / WBE that was submitted at the time of bid may be used to fulfill the MBE / WBE commitment to meet the Combined MBE / WBE Goal. A good faith effort will only be required for removing a committed MBE / WBE if there were no additional MBEs / WBEs submitted at the time of bid to cover the same amount of work as the MBE / WBE that was terminated.

If a replacement MBE / WBE is not found that can perform at least the same amount of work as the terminated MBE / WBE, the Design-Build Team shall submit a good faith effort documenting the steps taken. Such documentation shall include, but not be limited to, the following:

- (1) Copies of written notification to MBEs / WBEs that their interest is solicited in contracting the work defaulted by the previous MBE / WBE or in subcontracting other items of work in the contract.
- (2) Efforts to negotiate with MBEs / WBEs for specific subbids including, at a minimum:
  - (a) The names, addresses, and telephone numbers of MBEs / WBEs who were contacted.
  - (b) A description of the information provided to MBEs / WBEs regarding the plans and specifications for portions of the work to be performed.
- (3) A list of reasons why MBE / WBE quotes were not accepted.
- (4) Efforts made to assist the MBEs / WBEs contacted, if needed, in obtaining bonding or insurance required by the Design-Build Team.



**(B) Decertification Replacement**

- (1) When a committed MBE / WBE is decertified by the Department after the SAF (*Subcontract Approval Form*) has been received by the Department, the Department will not require the Design-Build Team to solicit replacement MBE / WBE participation equal to the remaining work to be performed by the decertified firm. The participation equal to the remaining work performed by the decertified firm will count toward the contract goal requirement.
- (2) When a committed MBE / WBE is decertified prior to the Department receiving the SAF (*Subcontract Approval Form*) for the named MBE / WBE firm, the Design-Build Team shall take all necessary and reasonable steps to replace the MBE / WBE subcontractor with another similarly certified MBE / WBE subcontractor to perform at least the same amount of work to meet the Combined MBE / WBE Goal requirement. If a MBE / WBE firm is not found to do the same amount of work, a good faith effort must be submitted to NCDOT (see A herein for required documentation).

**Changes in the Work**

When the Engineer makes changes that result in the reduction or elimination of work to be performed by a committed MBE / WBE, the Design-Build Team will not be required to seek additional participation. When the Engineer makes changes that result in additional work to be performed by a MBE / WBE based upon the Design-Build Team's commitment, the MBE / WBE shall participate in additional work to the same extent as the MBE / WBE participated in the original contract work.

When the Engineer makes changes that result in extra work, which has more than a minimal impact on the contract amount, the Design-Build Team shall seek additional participation by MBEs / WBEs unless otherwise approved by the Engineer.

When the Engineer makes changes that result in an alteration of plans or details of construction, and a portion or all of the work had been expected to be performed by a committed MBE / WBE, the Design-Build Team shall seek participation by MBEs / WBEs unless otherwise approved by the Engineer.

When the Design-Build Team requests changes in the work that result in the reduction or elimination of work that the Design-Build Team committed to be performed by a MBE / WBE, the Design-Build Team shall seek additional participation by MBEs / WBEs equal to the reduced MBE / WBE participation caused by the changes.

**Reports and Documentation**

A SAF (*Subcontract Approval Form*) shall be submitted for all work which is to be performed by a MBE / WBE subcontractor. The Department reserves the right to require copies of actual subcontract agreements involving MBE / WBE subcontractors.

When using transportation services to meet the contract commitment, the Design-Build Team shall submit a proposed trucking plan in addition to the SAF. The plan shall be submitted prior to beginning construction on the project. The plan shall include the names of all trucking firms proposed for use, their certification type(s), the number of trucks owned by the firm, as well as the individual truck identification numbers, and the line item(s) being performed.

Within 30 calendar days of entering into an agreement with a MBE / WBE for materials, supplies or services, not otherwise documented by the SAF as specified above, the Design-Build Team shall furnish the Engineer a copy of the agreement. The documentation shall also indicate the percentage (60.0% or 100.0%) of expenditures claimed for MBE / WBE credit.

### **Reporting Minority and Women Business Enterprise Participation**

The Design-Build Team shall provide the Engineer with an accounting of payments made to all MBE / WBE firms, including material suppliers and contractors at all levels (prime, subcontractor, or second tier subcontractor). This accounting shall be furnished to the Engineer for any given month by the end of the following month. Failure to submit this information accordingly may result in the following action:

- (A) Withholding of money due in the next partial pay estimate; or
- (B) Removal of an approved prime contractor or other affiliated companies within the Design-Build Team, from the prequalified bidders' list or the removal of other entities from the approved subcontractors list.

While each contractor (prime, subcontractor, 2<sup>nd</sup> tier subcontractor) is responsible for accurate accounting of payments to MBEs / WBEs, it shall be the prime contractor's responsibility to report all monthly and final payment information in the correct reporting manner.

Failure on the part of the Design-Build Team to submit the required information in the time frame specified may result in the disqualification of that prime contractor and any affiliate companies within the Design-Build Team from further bidding until the required information is submitted.

Failure on the part of any subcontractor to submit the required information in the time frame specified may result in the disqualification of that prime contractor and any affiliate companies within the Design-Build Team from being approved for work on future DOT projects until the required information is submitted.

Design-Build Teams reporting transportation services provided by non-MBE / WBE lessees shall evaluate the value of services provided during the month of the reporting period only.

At any time, the Engineer can request written verification of subcontractor payments.

The Design-Build Team shall report the accounting of payments through the Department's Payment Tracking System.

### **Failure to Meet Contract Requirements**

Failure to meet contract requirements in accordance with Subarticle 102-15(J) of the 2018 *Standard Specifications for Roads and Structures* may be cause to disqualify the prime contractor or any other affiliated company within the Design-Build Team from further bidding for a specified length of time.

### **CONTRACTOR'S LICENSE REQUIREMENTS**

(7-1-95)

DB1 G88

If the Design-Build Team does not hold the proper license to perform any plumbing, heating, air conditioning, or electrical work in this contract, he will be required to sublet such work to a contractor properly licensed in accordance with *Article 2 of Chapter 87 of the General Statutes* (licensing of heating, plumbing, and air conditioning contractors) and *Article 4 of Chapter 87 of the General Statutes* (licensing of electrical contractors).

### **SUBSURFACE INFORMATION**

(3-22-07)

DB1 G119

Available subsurface information will be provided on this project. The Design-Build Team shall be responsible for additional investigations and for verifying the accuracy of the subsurface information supplied by the Department.

### **COOPERATION BETWEEN CONTRACTORS**

(9-1-11) (Rev. 9-7-17)

DB1 G133

The Design-Build Team's attention is directed to Article 105-7 of the 2018 *Standard Specifications for Roads and Structures*.

- Project I-5915A is located west of the I-40 / I-77 interchange on I-40. Project I-5915 has an anticipated June 2018 Let Date.

The Design-Build Team on this project shall cooperate with the Contractor or Design-Build Team working within or adjacent to the limits of this project, to the extent that the work can be carried out to the best advantage of all concerned.

**BID DOCUMENTATION**

(Rev. 07-31-12) (8-3-15)

DB1 G142

**General**

The successful Design-Build Team shall submit the original, unaltered bid documentation or a certified copy of the original, unaltered bid documentation used to prepare the Price Proposal for this contract to the Department within 10 days after receipt of notice of award of contract. Such documentation shall be placed in escrow with a banking institution or other bonded document storage facility selected by the Department.

The Department will not execute the contract until the original, unaltered bid documentation or a certified copy of the original, unaltered bid documentation has been received by the Department.

**Terms**

*Bid Documentation* – Bid Documentation shall mean all written information, working papers, computer printouts, electronic media, charts, and all other data compilations which contain or reflect information, data, and calculations used by the Proposer in the preparation of the Price Proposal. The term *bid documentation* includes, but is not limited to, Design-Build Team equipment rates, Design-Build Team overhead rates, labor rates, efficiency or productivity factors, arithmetical calculations, and quotations from subcontractors and material suppliers to the extent that such rates and quotations were used by the Proposer in formulating and determining the Price Proposal. The term *bid documentation* also includes any manuals, which are standard to the industry used by the Proposer in determining the Price Proposal. Such manuals may be included in the bid documentation by reference. Such reference shall include the name and date of the publication and the publisher. *Bid Documentation* does not include bid documents provided by the Department for use by the Proposer in bidding on this project. The Bid Documentation can be in the form of electronic submittal (i.e. thumb drive) or paper. If the Bidder elects to submit the Bid Documentation in electronic format, the Department requires a backup submittal (i.e. a second thumb drive) in case one is corrupted.

*Design-Build Team's Representative* – Officer of the Prime Contractor's company; if not an officer, the Contractor shall supply a letter signed and notarized by an officer of the Prime Contractor's company, granting permission for the representative to sign the escrow agreement on behalf of the Prime Contractor.

*Escrow Agent* – Officer of the select banking institution or other bonded document storage facility authorized to receive and release bid documentation.

**Escrow Agreement Information**

A draft copy of the Escrow Agreement will be mailed to the Proposer after the notice of award for informational purposes. The Proposer and Department will sign the actual Escrow Agreement at the time the bid documentation is delivered to the Escrow Agent.

**Failure to Provide Bid Documentation**

The Proposer's failure to provide the original, unaltered bid documentation or a certified copy of the original, unaltered bid documentation within 10 days after the notice of award is received by him may be just cause for rescinding the award of the contract and may result in the removal of the Proposer from the Department's list of qualified bidders for a period of up to 180 days. Award may then be made to the Proposer with the next lowest adjusted price or the work may be readvertised and constructed under the contract or otherwise, as the Department may decide.

**Submittal of Bid Documentation**

- (A) Appointment – Email **specs@ncdot.gov** or call 919.707.6900 to schedule an appointment.
- (B) Delivery - A representative of the Bidder shall deliver the original, unaltered bid documentation or a certified copy of the original, unaltered bid documentation to the Department, in a container suitable for sealing, within 10 days after the notice of award is received.
- (C) Packaging – The container shall be no larger than 15.5 inches in length by 12 inches wide by 11 inches high and shall be water resistant. The container shall be clearly marked on the face and the back of the container with the following information: Bid Documentation, Bidder's Name, Bidder's Address, Date of Escrow Submittal, Contract Number, TIP Number if applicable, and County.

**Affidavit**

Bid documentation will be considered a certified copy if the proposer includes an affidavit stating that the enclosed documentation is an EXACT copy of the original documentation used by the Proposer to determine the bid for this project. The affidavit shall also list each bid document with sufficient specificity so a comparison may be made between the list and the bid documentation to ensure that all of the bid documentation listed in the affidavit has been enclosed for escrow. The affidavit shall attest that the affiant has personally examined the bid documentation, that the affidavit lists all of the documents used by the proposer to determine the bid for this project, and that all bid documentation has been included. The affidavit shall be signed by a chief officer of the company, have the person's name and title typed below the signature, and the signature shall be notarized at the bottom of the affidavit.

**Verification**

Upon delivery of the bid documentation, the Department's Contract Officer and the Design-Build Team's representative will verify the accuracy and completeness of the bid documentation compared to the affidavit. Should a discrepancy exist, the Design-Build Team's representative shall immediately furnish the Department's Contract Officer with any other needed bid documentation. The Department's Contract Officer upon determining that the bid documentation is complete will, in the presence of the Design-Build Team's representative, immediately place

the complete bid documentation and affidavit in the container and seal it. Both parties will deliver the sealed container to the Escrow Agent for placement in a safety deposit box, vault, or other secure accommodation.

### **Confidentiality of Bid Documentation**

The bid documentation and affidavit in escrow are, and will remain, the property of the Proposer. The Department has no interest in, or right to, the bid documentation and affidavit other than to verify the contents and legibility of the bid documentation unless the Design-Build Team gives written notice of intent to file a claim, files a written claim, files a written and verified claim, or initiates litigation against the Department. In the event of such written notice of intent to file a claim, filing of a written claim, filing a written and verified claim, or initiation of litigation against the Department, or receipt of a letter from the Design-Build Team authorizing release, the bid documentation and affidavit may become the property of the Department for use in considering any claim or in litigation as the Department may deem appropriate.

Any portion or portions of the bid documentation designated by the Proposer as a *trade secret* at the time the bid documentation is delivered to the Department's Contract Officer shall be protected from disclosure as provided by *G.S. 132-1.2*.

### **Duration and Use**

The bid documentation and affidavit shall remain in escrow until 60 calendar days from the time the Prime Contractor receives the final estimate; or until such time as the Design-Build Team:

- (A) Gives written notice of intent to file a claim,
- (B) Files a written claim,
- (C) Files a written and verified claim,
- (D) Initiates litigation against the Department related to the contract; or
- (E) Authorizes in writing its release.

Upon the giving of written notice of intent to file a claim, filing a written claim, filing a written and verified claim, or the initiation of litigation by the Design-Build Team against the Department, or receipt of a letter from the Design-Build Team authorizing release, the Department may obtain the release and custody of the bid documentation.

The Proposer certifies and agrees that the sealed container placed in escrow contains all of the bid documentation used to determine the Price Proposal and that no other bid documentation shall be relevant or material in litigation over claims brought by the Design-Build Team arising out of this contract.

### **Release of Bid Documentation to the Contractor**

If the bid documentation remains in escrow 60 calendar days after the time the Design-Build Team receives the final estimate and the Design-Build Team has not filed a written claim, filed a written and verified claim, or has not initiated litigation against the Department related to the

contract, the Department will instruct the Escrow Agent to release the sealed container to the Prime Contractor.

The Prime Contractor will be notified by certified letter from the Escrow Agent that the bid documentation will be released to the Prime Contractor. The Prime Contractor or his representative shall retrieve the bid documentation from the Escrow Agent within 30 days of the receipt of the certified letter. If the Prime Contractor does not receive the documents within 30 days of the receipt of the certified letter, the Department will contact the Prime Contractor to determine final dispersion of the bid documentation.

## **Payment**

The cost of the escrow will be borne by the Department. There will be no separate payment for all costs of compilation of the data, container, or verification of the bid documentation. Payment at the various contract unit or lump sum prices in the contract will be full compensation for all such costs.

## **TWELVE MONTH GUARANTEE**

(7-15-03)

DB1 G145

- (A) The Design-Build Team shall guarantee materials and workmanship against latent and patent defects arising from faulty materials, faulty workmanship or negligence for a period of twelve months following the date of final acceptance of the work for maintenance and shall replace such defective materials and workmanship without cost to the Department. The Design-Build Team will not be responsible for damage due to normal wear and tear, for negligence on the part of the Department, and / or for use in excess of the design.
- (B) Where items of equipment or material carry a manufacturer's guarantee for any period in excess of twelve months, then the manufacturer's guarantee shall apply for that particular piece of equipment or material. The Department's first remedy shall be through the manufacturer although the Design-Build Team shall be responsible for invoking the warranted repair work with the manufacturer. The Design-Build Team's responsibility shall be limited to the term of the manufacturer's guarantee. NCDOT would be afforded the same warranty as provided by the Manufacturer.

This guarantee provision shall be invoked only for major components of work in which the Design-Build Team would be wholly responsible for under the terms of the contract. Examples include pavement structures, bridge components, and sign structures. This provision will not be used as a mechanism to force the Design-Build Team to return to the project to make repairs or perform additional work that the Department would normally compensate the Design-Build Team for. In addition, routine maintenance activities (i.e. mowing grass, debris removal, ruts in earth shoulders, etc.) are not parts of this guarantee.

Appropriate provisions of the payment and / or performance bonds shall cover this guarantee for the project. In addition, failure on the part of the responsible entity(ies) of the Design-Build Team to perform guarantee work within the terms of this provision shall be just cause to remove

the responsible entity(ies) from the Department's corresponding prequalified list. The Design-Build Team shall be removed for a minimum of six months and will be reinstated only after all work has been corrected and the Design-Build Team requests reinstatement in writing.

To ensure uniform application statewide the Division Engineer will forward details regarding the circumstances surrounding any proposed guarantee repairs to the Chief Engineer for review and approval prior to the work being performed.

### **OUTSOURCING OUTSIDE THE USA**

(5-16-06)

DB1 G150

All work on consultant contracts, services contracts, and construction contracts shall be performed in the United States of America. No work shall be outsourced outside of the United States of America.

*Outsourcing* for the purpose of this provision is defined as the practice of subcontracting labor, work, services, staffing, or personnel to entities located outside of the United States.

The North Carolina Secretary of Transportation shall approve exceptions to this provision in writing.

### **PERMANENT VEGETATION ESTABLISHMENT**

(6-11-15) (Rev. 8-30-17)

104

DB01 G160

Establish permanent vegetation stands of the Long Term Stabilization mixtures identified in the Erosion and Sedimentation Control Scope of Work found elsewhere in this RFP. During the period between initial vegetation planting and final project acceptance, perform all work necessary to establish 80% coverage of permanent vegetation within the project limits, as well as, in borrow and waste pits. This work shall include erosion control device maintenance and installation, repair seeding and mulching, supplemental seeding and mulching, mowing, and fertilizer topdressing, as directed. All work shall be performed in accordance with the Erosion and Sedimentation Control Scope of Work found elsewhere in this RFP and the applicable sections of the 2018 *Standard Specifications for Roads and Structures*.

Once the Engineer has determined that 80% coverage of permanent vegetation has been established, the Design-Build Team will be notified to remove the remaining erosion control devices that are no longer needed. The Design-Build Team shall be responsible for, and shall correct, any areas disturbed by operations performed in permanent vegetation establishment and the removal of temporary erosion control measures, whether occurring prior to or after placing traffic on the project.

### **EROSION & SEDIMENT CONTROL / STORMWATER CERTIFICATION**

(1-16-07) (Rev. 9-20-16)

105-16, 225-2, 16

DB1 G180

#### **General**

Schedule and conduct construction activities in a manner that will minimize soil erosion and the resulting sedimentation and turbidity of surface waters. Comply with the requirements herein



regardless of whether or not a National Pollutant Discharge Elimination System (NPDES) permit for the work is required.

Establish a chain of responsibility for operations and subcontractors' operations to ensure that the *Erosion and Sediment Control / Stormwater Pollution Prevention Plan* is implemented and maintained over the life of the contract.

- (A) *Certified Supervisor* – Provide a certified Erosion and Sediment Control / Stormwater (E&SC/SW) Supervisor to manage the Design-Build Team and subcontractor(s) operations, ensure compliance with Federal, State and Local ordinances and regulations, and manage the Quality Control Program.
- (B) *Certified Foreman* – Provide a certified, trained foreman for each construction operation that increases the potential for soil erosion or the possible sedimentation and turbidity of surface waters.
- (C) *Certified Installer* – Provide a certified installer to install or direct the installation for erosion or sediment / stormwater control practices.
- (D) *Certified Designer* – Provide a certified designer for the design of the erosion and sediment control / stormwater component of reclamation plans and, if applicable, for the design of the project erosion and sediment control / stormwater plan.

### **Roles and Responsibilities**

- (A) *Certified Erosion and Sediment Control / Stormwater Supervisor* - The Certified Supervisor shall be Level II and shall be responsible for ensuring the erosion and sediment control / stormwater plan is adequately implemented and maintained on the project and for conducting the quality control program. The Certified Supervisor shall be on the project within 24 hours notice from initial exposure of an erodible surface to the project's final acceptance. The Certified Supervisor shall perform the following duties:
  - (1) **Manage Operations** - Coordinate and schedule the work of subcontractors so that erosion and sediment control / stormwater measures are fully executed for each operation and in a timely manner over the duration of the contract.
    - (a) Oversee the work of subcontractors so that appropriate erosion and sediment control / stormwater preventive measures are conformed to at each stage of the work.
    - (b) Prepare the required National Pollutant Discharge Elimination System (NPDES) Inspection Record and submit to the Engineer.
    - (c) Attend all weekly or monthly construction meetings to discuss the findings of the NPDES inspection and other related issues.
    - (d) Implement the erosion and sediment control / stormwater site plans requested.

- (e) Provide any needed erosion and sediment control / stormwater practices for the Design-Build Team's temporary work not shown on the plans developed by the Design-Build Team, such as, but not limited to work platforms, temporary construction, pumping operations, plant and storage yards, and cofferdams.
  - (f) Acquire applicable permits and comply with requirements for borrow pits, dewatering, and any temporary work conducted by the Design-Build Team in jurisdictional areas.
  - (g) Conduct all erosion and sediment control / stormwater work in a timely and workmanlike manner.
  - (h) Fully perform and install erosion and sediment control / stormwater work prior to any suspension of the work.
  - (i) Coordinate with Department, Federal, State and Local Regulatory agencies on resolution of erosion and sediment control / stormwater issues due to the Design-Build Team's operations.
  - (j) Ensure that proper cleanup occurs from vehicle tracking on paved surfaces and / or any location where sediment leaves the right of way.
  - (k) Have available a set of erosion and sediment control / stormwater plans that are initialed and include the installation date of Best Management Practices. These practices shall include temporary and permanent groundcover and be properly updated to reflect necessary plan and field changes for use and review by Department personnel, as well as regulatory agencies.
- (2) Requirements set forth under the NPDES Permit – The Department's NPDES Stormwater Permit (NCS000250) outlines certain objectives and management measures pertaining to construction activities. The permit references *NCG010000, General Permit to Discharge Stormwater* under the NPDES, and states that the Department shall incorporate the applicable requirements into its delegated Erosion and Sediment Control Program for construction activities disturbing one or more acres of land. The Department further incorporates these requirements on all contracted bridge and culvert work at jurisdictional waters, regardless of size. Some of the requirements shall be, but are not limited to:
- (a) Control project site waste to prevent contamination of surface or ground waters of the state, e.g. from equipment operations / maintenance construction materials, concrete washout, chemicals, litter, fuels, lubricants, coolants, hydraulic fluids, any other petroleum products, and sanitary waste.
  - (b) Inspect erosion and sediment control / stormwater devices and stormwater discharge outfalls at least once every 7 calendar days, and within 24 hours after a rainfall event of 0.5 inch, or greater, that occurs within a 24-hour period. At the discretion of Division of Water Resources personnel, additional monitoring may be required if the receiving stream is 303(d) listed for turbidity and the project has had documented problems managing turbidity.

- (c) Maintain an onsite rain gauge or use the Department's Multi-Sensor Precipitation Estimate website to maintain a daily record of rainfall amounts and dates.
  - (d) Maintain erosion and sediment control / stormwater inspection records for review by Department and Regulatory personnel upon request.
  - (e) Implement approved reclamation plans on all borrow pits, waste sites and staging areas.
  - (f) Maintain a log of turbidity test results as outlined in the Department's Procedure for Monitoring Borrow Pit Discharge.
  - (g) Provide secondary containment for bulk storage of liquid materials.
  - (h) Provide training for employees concerning general erosion and sediment control / stormwater awareness, the Department's NPDES Stormwater Permit NCS000250 requirements, and the applicable requirements of the *General Permit, NCG010000*.
  - (i) Report violations of the NPDES Permit to the Engineer immediately who will notify the NC Department of Environmental Quality Regional Office within 24 hours of becoming aware of the violation.
- (3) Quality Control Program - Maintain a quality control program to control erosion, prevent sedimentation and follow provisions / conditions of permits. The quality control program shall:
- (a) Follow permit requirements related to the Design-Build Team and subcontractors' construction activities.
  - (b) Ensure that all operators and / or subcontractor(s) on site have the proper erosion and sediment control / stormwater certification.
  - (c) Notify the Engineer when the required certified erosion and sediment control / stormwater personnel are not available on the job site when needed.
  - (d) Conduct the inspections required by the NPDES Permit.
  - (e) Take corrective actions in the proper timeframe as required by the NPDES Permit for problem areas identified during the NPDES inspections.
  - (f) Incorporate erosion control into the work in a timely manner and stabilize disturbed areas with mulch / seed or vegetative cover on a section-by-section basis.
  - (g) Use flocculants approved by state regulatory authorities where appropriate and where required for turbidity and sedimentation reduction.
  - (h) Ensure proper installation and maintenance of temporary erosion and sediment control devices.
  - (i) Remove temporary erosion or sediment control devices when they are no longer necessary as agreed upon by the Engineer.
  - (j) The Design-Build Team's quality control and inspection procedures shall be subject to review by the Engineer. Maintain NPDES inspection records and make records available at all times for verification by the Engineer.

- (B) *Certified Foreman* - At least one Certified Foreman shall be onsite for each type of work listed herein during the respective construction activities to control erosion, prevent sedimentation and follow permit provisions:

- (1) Foreman in charge of grading activities
- (2) Foreman in charge of bridge or culvert construction over jurisdictional areas
- (3) Foreman in charge of utility activities

The Design-Build Team may request to use the same person as the Level II Supervisor and Level II Foreman. This person shall be onsite whenever construction activities as described above are taking place. This request shall be approved by the Engineer prior to work beginning.

The Design-Build Team may request to name a single Level II Foreman to oversee multiple construction activities on small bridge or culvert replacement projects. This request shall be approved by the Engineer prior to work beginning.

- (C) *Certified Installers* - Provide at least one onsite, Level I Certified Installer for each of the following erosion and sediment control / stormwater crew:

- (1) Seeding and Mulching
- (2) Temporary Seeding
- (3) Temporary Mulching
- (4) Sodding
- (5) Silt fence or other perimeter erosion / sediment control device installations
- (6) Erosion control blanket installation
- (7) Hydraulic tackifier installation
- (8) Turbidity curtain installation
- (9) Rock ditch check / sediment dam installation
- (10) Ditch liner / matting installation
- (11) Inlet protection
- (12) Riprap placement
- (13) Stormwater BMP installations (such as but not limited to level spreaders, retention / detention devices)
- (14) Pipe installations within jurisdictional areas

If a Level I *Certified Installer* is not onsite, the Design-Build Team may substitute a Level II Foreman for a Level I Installer, provided the Level II Foreman is not tasked to another crew requiring Level II Foreman oversight.

- (D) *Certified Designer* – Include the certification number of the Level III-B Certified Designer on the erosion and sediment control / stormwater component of all reclamation plans and if applicable, the certification number of the Level III-A Certified Designer on the design of the project erosion and sediment control / stormwater plan.

**Preconstruction Meeting**

Furnish the names of the *Certified Erosion and Sediment Control / Stormwater Supervisor, Certified Foremen, Certified Installers and Certified Designers* and notify the Engineer, in writing, of changes in certified personnel over the life of the contract within two days of change.

**Ethical Responsibility**

Any company performing work for the North Carolina Department of Transportation has the ethical responsibility to fully disclose any reprimand or dismissal of an employee resulting from improper testing or falsification of records.

**Revocation or Suspension of Certification**

Upon recommendation of the Chief Engineer to the certification entity, certification for Supervisor, Certified Foremen, Certified Installers and Certified Designer may be revoked or suspended with the issuance of an Immediate Corrective Action (ICA), Notice of Violation (NOV), or Cease and Desist Order for erosion and sediment control / stormwater related issues.

The Chief Engineer may recommend suspension or permanent revocation of certification due to the following:

- (A) Failure to adequately perform the duties as defined within this certification provision
- (B) Issuance of an ICA, NOV, or Cease and Desist Order
- (C) Failure to fully perform environmental commitments as detailed within the permit conditions and specifications
- (D) Demonstration of erroneous documentation or reporting techniques
- (E) Cheating or copying another candidate's work on an examination
- (F) Intentional falsification of records
- (G) Directing a subordinate under direct or indirect supervision to perform any of the above actions
- (H) Dismissal from a company for any of the above reasons
- (I) Suspension or revocation of one's certification by another entity

Suspension or revocation of a certification will be sent by certified mail to the certificant and the Corporate Head of the company that employs the certificant.

A certificant has the right to appeal any adverse action which results in suspension or permanent revocation of certification by responding, in writing, to the Chief Engineer within ten calendar days after receiving notice of the proposed adverse action.

Chief Engineer  
1536 Mail Service Center  
Raleigh, NC 27699-1536

Failure to appeal within ten calendar days shall result in the proposed adverse action becoming effective on the date specified on the certified notice. Failure to appeal within the time specified shall result in a waiver of all future appeal rights regarding the adverse action taken. The certificant will not be allowed to perform duties associated with the certification during the appeal process. The Chief Engineer will hear the appeal and make a decision within seven days of hearing the appeal. The decision of the Chief Engineer shall be final and will be made in writing to the certificant.

If a certification is temporarily suspended, the certificant shall pass any applicable written examination and any proficiency examination, at the conclusion of the specified suspension period, prior to having the certification reinstated.

### **Measurement and Payment**

*Certified Erosion and Sediment Control / Stormwater Supervisor, Certified Foremen, Certified Installers and Certified Designer* will be incidental to the project for which no direct compensation will be made.

### **PROCEDURE FOR MONITORING BORROW PIT DISCHARGE**

(1-22-13) (Rev. 9-7-17)

DB1 G181

Water discharge from borrow pit sites shall not cause surface waters to exceed 50 NTUs (nephelometric turbidity unit) in streams not designated as trout waters and 10 NTUs in streams, lakes or reservoirs designated as trout waters. For lakes and reservoirs not designated as trout waters, the turbidity shall not exceed 25 NTUs. If the turbidity exceeds these levels due to natural background conditions, the existing turbidity level shall not be increased.

If during any operating day, the downstream water quality exceeds the standard, the Design-Build Team shall do all of the following:

- (A) Either cease discharge or modify the discharge volume or turbidity levels to bring the downstream turbidity levels into compliance, or
- (B) Evaluate the upstream conditions to determine if the exceedance of the standard is due to natural background conditions. If the background turbidity measurements exceed the standard, operation of the pit and discharge can continue as long as the stream turbidity levels are not increased due to the discharge.
- (C) Measure and record the turbidity test results (time, date and sampler) at all defined sampling locations 30 minutes after startup and at a minimum, one additional sampling of all sampling locations during that 24-hour period in which the borrow pit is discharging.
- (D) Notify DWR within 24 hours of any stream turbidity standard exceedances that are not brought into compliance.

During the Environmental Assessment required by Article 230-4 of the 2018 *Standard Specifications for Roads and Structures*, the Design-Build Team shall define the point at which

the discharge enters into the State's surface waters and the appropriate sampling locations. Sampling locations shall include points upstream and downstream from the point at which the discharge enters these waters. Upstream sampling location shall be located so that it is not influenced by backwater conditions and represents natural background conditions. Downstream sampling location shall be located at the point where complete mixing of the discharge and receiving water has occurred.

The discharge shall be closely monitored when water from the dewatering activities is introduced into jurisdictional wetlands. Any time visible sedimentation (deposition of sediment) on the wetland surface is observed, the dewatering activity will be suspended until turbidity levels in the stilling basin can be reduced to a level where sediment deposition does not occur. Staining of wetland surfaces from suspended clay particles, occurring after evaporation or infiltration, does not constitute sedimentation. No activities shall occur in wetlands that adversely affect the functioning of a wetland. Visible sedimentation will be considered an indication of possible adverse impacts on wetland use.

The Engineer will perform independent turbidity tests on a random basis. These results will be maintained in a log within the project records. Records will include, at a minimum, turbidity test results, time, date and name of sampler. Should the Department's test results exceed those of the Design-Build Team's test results, an immediate test shall be performed jointly with the results superseding the previous test results of both the Department and the Design-Build Team.

To plan, design, construct, and maintain BMPs to address water quality standards, the Design-Build Team shall use the NCDOT *Turbidity Reduction Options for Borrow Pits Matrix*, available at the website noted below:

**[https://connect.ncdot.gov/resources/roadside/FieldOperationsDocuments/  
TurbidityReductionOptionSheet.pdf](https://connect.ncdot.gov/resources/roadside/FieldOperationsDocuments/TurbidityReductionOptionSheet.pdf)**

Tier I Methods include stilling basins which are standard compensatory BMPs. Other Tier I methods are noncompensatory and shall be used when needed to meet the stream turbidity standards. Tier II Methods are also noncompensatory and are options that may be needed for protection of rare or unique resources or where special environmental conditions exist at the site which have led to additional requirements being placed in the DWR's 401 Certifications and approval letters, Isolated Wetland Permits, Riparian Buffer Authorization or a DOT Reclamation Plan's Environmental Assessment for the specific site. Should the Design-Build Team exhaust all Tier I Methods on a site exclusive of rare or unique resources or special environmental conditions, Tier II Methods may be required by regulators on a case by case basis per supplemental agreement.

The Design-Build Team may use cation exchange capacity (CEC) values from proposed site borings to plan and develop the Price Proposal for the project. CEC values exceeding 15 milliequivalents per 100 grams of soil may indicate a high potential for turbidity and should be avoided when dewatering into surface water is proposed.

No additional compensation for monitoring borrow pit discharge will be paid.

**CLEARING AND GRUBBING**

(9-1-11)(Rev. 8-18-15)

DB2 R01

With the exception of areas with Permanent Utility Easements, perform clearing on this project to the limits established by Method “III” shown on Roadway Standard Drawing No. 200.03. In areas with Permanent Utility Easements, clearing shall extend to the right of way limits.

**BUILDING AND APPURTENANCE REMOVAL / DEMOLITION**

(9-1-11) (Rev. 9-7-17)

DB2 R12A

Unless otherwise as agreed upon by the Department, seal all wells and remove or demolish all buildings and appurtenances, in their entirety, that are located either partially or completely within the project’s right of way limits or are located outside the project’s right of way limits but within property purchased as an uneconomical remnant in accordance with Sections 205, 210 and 215 of the 2018 *Standard Specifications for Roads and Structures*.

The Department will perform all assessment, removal and disposal of asbestos. Once the Design-Build Team has acquired a parcel and all buildings and appurtenances have been vacated, the Design-Build Team shall immediately notify the Division Right of Way Agent in writing. Upon receipt of the written notification, the Department then requires 60 days to assess and remove any asbestos prior to the Design-Build Team demolishing any building or appurtenance.

**MANUFACTURED QUARRY FINES IN EMBANKMENTS**

(11-30-16) (Rev. 9-7-17)

235

DB02 R72

**Description**

This specification addresses the use of manufactured quarry fines that are not classified as select materials. The specification allows the Design-Build Team an option, with the approval of the Engineer, to use manufactured quarry fines (MQFs) in embankments as a substitute for conventional borrow material. Furnish and place geotextile for pavement stabilization in accordance with the *Geotextile for Pavement Stabilization* Project Special Provision found elsewhere in this RFP and detail developed by the Design-Build Team. Geotextile for pavement stabilization shall be required to prevent pavement cracking and provide separation between the subgrade and pavement section at embankment locations where manufactured quarry fines are utilized and as directed by the Engineer.

**Manufactured Quarry Fines (MQF)**

Site specific approval of MQFs material shall be required prior to beginning construction as detailed in the preconstruction requirements of this provision.



The following MQFs are unacceptable:

- (A) Frozen material,
- (B) Material with a maximum dry unit weight of less than 90 pounds per cubic foot when tested in accordance with AASHTO T-99 Method A or C.
- (C) Material with greater than 80% by weight Passing the #200 sieve

Collect and transport MQFs in a manner that will prevent nuisances and hazards to public health and safety. Moisture condition the MQFs as needed and transport in covered trucks to prevent dusting. If MQFs are blended with natural earth material, follow Borrow Criteria in Section 1018 of the 2018 NCDOT *Standard Specifications for Roads and Structures*.

### **Geotextiles**

Areas of embankment where MQFs are incorporated, Geotextile for Pavement Stabilization shall be used. The Geotextile for Pavement Stabilization shall adhere to all requirements of the *Geotextile for Pavement Stabilization* Project Special Provision found elsewhere in this RFP except the notification of subgrade elevation, sampling and waiting period required in the Construction Methods section.

### **Preconstruction Requirements**

When MQFs are to be used as a substitute for earth borrow material, request written approval from the Engineer at least ninety (90) days in advance of the intent to use MQFs and include the following details:

- (A) Description, purpose and location of project
- (B) Estimated start and completion dates of project
- (C) Estimated volume of MQFs to be used on project with specific locations and construction details of the placement
- (D) The names, addresses and contact information for the generator of the MQFs
- (E) Physical location of the site at which the MQFs were generated

The Engineer will forward this information to the State Materials Engineer for review and material approval prior to incorporation.

### **Construction Methods**

Place MQFs in the core of the embankment section with at least four feet of earth cover to the outside limits of the embankments or subgrade.

Construct embankments by placing MQFs in level uniform lifts with no more than a lift of ten inches and compacted to at least a density of 95 percent as determined by test methods in AASHTO T-99, Determination of Maximum Dry Density and Optimum Moisture Content, Method A or C depending upon particle size of the product. Provide a moisture content at the

time of compaction of within 4.0 percent of optimum but not greater than one percent above optimum as determined by AASHTO T-99, Method A or C.

## **REINFORCED CONCRETE PIPE DESIGN**

(9-1-11) (Rev. 9-8-17)

DB3 R006

### **Description**

This work consists of the design and manufacture of reinforced concrete pipes which require fills greater than 40 feet and less than or equal to 80 feet.

### **Materials**

#### **(A) Design**

When the design of a reinforced concrete pipe is required on the plans developed by the Design-Build Team, design the reinforced concrete pipe in accordance with the current edition of the AASHTO LRFD Bridge Design Specifications. Provide the diameter of pipe as indicated on the plans developed by the Design-Build Team and manufacture the pipe in accordance with ASTM C 1417. Provide a reinforced concrete pipe that meets the requirements of Section 1032-6, Section 1077 and any other applicable parts of the 2018 *Standard Specifications for Roads and Structures*.

The design of the reinforced concrete pipe shall be the Design-Build Team's responsibility and shall be subject to review, comments and approval. Submit two sets of detailed plans for review and acceptance. Include all details in the plans, including the size and spacing of the required reinforcement necessary to fabricate the reinforced concrete pipe. Include checked design calculations for the reinforced concrete pipe. Have a North Carolina Registered Professional Engineer seal the plans and design calculations. After the plans are reviewed and, if necessary, all corrections made, submit one set of reproducible tracings on 22" x 34" sheets to become part of the plans developed by the Design-Build Team.

#### **(B) Reinforced Concrete Pipe Sections**

##### **(1) Class**

Reinforced concrete pipe sections manufactured in accordance with this Project Special Provision shall be designated by inside pipe diameter and design earth cover.

##### **(2) Design Criteria**

The design of the reinforced concrete pipe shall be in accordance with Article 12.10.4.2 "Direct Design Method" of the current edition of the AASHTO LRFD Bridge Design Specifications. The following assumptions shall be used in the design calculations:

<b>NCDOT Criteria for Direct Design Method</b>
Process and Material Factors
Radial Tension, $F_{rp}=1.0$
Shear Strength, $F_{vp}=1.0$
Design Concrete Strength - $f'_c$ 5,000 psi < $f'_c$ < 7,000 psi
Heger Pressure Distribution - Type 2 Installation
Vertical Arching Factor = 1.40
Horizontal Arching Factor = 0.40
Soil Unit Weight = 120 lb / ft <sup>3</sup>
Depth of Fluid = Inside Pipe Diameter
Minimum Concrete Cover = 1.00"
Crack Control = 0.90 (maximum)

**(C) Joints**

Produce the reinforced concrete pipe sections with spigot and bell ends. Design and form the ends of the pipe section so, when the sections are laid together, they make a continuous line of pipe with a smooth interior free of appreciable irregularities in the flow line, and compatible with the permissible variations given in the 2018 *Standard Specifications for Roads and Structures* and ASTM C 1417.

**(D) Manufacture**

In addition to the requirements of the 2018 *Standard Specifications for Roads and Structures* and ASTM C 1417, devices or holes are permitted in each pipe section for the purpose of handling and placement. Submit details of handling devices or holes for approval and do not cast any concrete until approval is granted. Remove all handling devices flush with concrete surfaces as directed. Fill holes in a neat and workmanlike manner with an approved non-metallic non-shrink grout, concrete or plug.

**DRAINAGE PIPE**

(9-1-11)

DB3 R36

**Description**

Where shown in the plans developed by the Design-Build Team, the Design-Build Team shall use Reinforced Concrete Pipe, Corrugated Aluminum Alloy Pipe, Aluminized Corrugated Steel Pipe, Corrugated Polyethylene Pipe (HDPE Pipe) or Polyvinyl-Chloride Pipe (PVC Pipe) in accordance with the following requirements:

- All pipe types shall be subject to the maximum and minimum fill height requirements as found on Roadway Standard Drawing No. 300.01 - Sheet 3 of 3. The appropriate Reinforced Concrete Pipe class and the appropriate gage thickness for Corrugated

Aluminum Alloy Pipe and Aluminized Corrugated Steel Pipe shall be selected based on fill height.

- Site specific conditions may limit a particular material beyond what is identified in this Project Special Provision. These conditions include, but are not limited to, abrasion, environmental, soil resistivity and pH, high ground water and special loading conditions. The Design-Build Team shall determine if additional restrictions are necessary.
- Slope drains shall be Corrugated Aluminum Alloy Pipe, Aluminized Corrugated Steel Pipe, Corrugated Polyethylene Pipe (HDPE Pipe) or Polyvinyl-Chloride Pipe (PVC Pipe).
- Transverse median drains, storm drainage system pipes, and open-ended cross drains shall be Reinforced Concrete Pipe unless the pipe slope is greater than 10%, in which case the pipe shall be either Corrugated Aluminum Alloy Pipe or Aluminized Corrugated Steel Pipe.

### **CEMENT TREATED BASE COURSE**

(7-22-13) (Rev. 9-8-17)

DB5 R21A

#### **General**

The Design-Build Team shall be responsible for the following:

1. Performing all laboratory tests in a laboratory certified by the AMRL / NCDOT Laboratory Proficiency Program
2. Sampling Aggregate
3. Conducting Laboratory tests to determine:
  - a. Job Mix Formula
  - b. Quantity of cement required to achieve specified strengths
4. Designating areas to be stabilized by cement treated base course and the required rates of application
5. Conducting field tests to determine unconfined compressive strength

#### **Sampling Aggregate**

Aggregate shall be sampled from the proposed aggregate pile at the quarry. An AASHTO classification test with unit weight and optimum moisture determination shall be completed on the sample. The aggregate shall meet the Acceptance Criteria in Column B of Table 1010-4 of the NCDOT Aggregate Sampling Manual.

#### **Job Mix Formula**

A job mix formula shall be established for the accepted aggregate three weeks prior to proposed production. During production, the aggregate shall meet the tolerances specified in Table 540-1 of the 2018 *Standard Specifications for Roads and Structures*.

**Determine Required Portland Cement Rate**

The quantity of Portland cement required shall be 3.0 – 4.0 percent by weight of the aggregate. Mix 3.5% and 4.0% Portland cement, aggregate and water at 1.5% over optimum and cure for seven days. Select rate of cement that provides a minimum and maximum unconfined compressive strength of 500 psi and 800 psi at seven days, respectively.

**Submittals for Review and Approval Prior to Construction**

The Design-Build Team shall adhere to the following submittal guidelines:

- Submit all laboratory test results for review and approval
- Submit a sketch in plan view showing areas of the project to be stabilized by Cement Treated Base Course and application rates
- Submit any other documentation that supports the Design-Build Team's recommendations

**Construction of Cement Treated Base Course**

The Design-Build Team shall construct the Cement Treated Base Course as specified in Section 540 of the North Carolina Department of Transportation 2018 *Standard Specifications for Roads and Structures* except that Articles 540-5, 540-7 and 540-13 do not apply.

**Unconfined Compressive Strength**

For Cement Treated Base Course, the Design-Build Team shall make field specimens, cure them for seven days and test them in the laboratory. The minimum and maximum acceptable unconfined compressive strength for soil cement shall be 450 psi and 850 psi, respectively. One test shall be required for every 400 feet per lane width at random locations selected using random number tables.

**Submittals for Review During Construction**

The Design-Build Team shall submit the unconfined compressive strength test results for review and acceptance.

**PRICE ADJUSTMENTS FOR ASPHALT BINDER**

(9-1-11) (Rev. 9-8-17)

DB6 R25

Price adjustments for asphalt binder for plant mix will be made in accordance with Section 620 of the 2018 *Standard Specifications for Roads and Structures*.

When it is determined that the monthly selling price of asphalt binder on the first business day of the calendar month during which the last day of the partial payment period occurs varies either upward or downward from the Base Price Index, the partial payment for that period will be

adjusted. The partial payment will be adjusted by adding the difference (+ or -) of the base price index subtracted from the monthly selling price multiplied by the total theoretical quantity of asphalt binder authorized for use in the plant mix placed during the partial payment period involved.

The base price index for asphalt binder for plant mix is **\$535.56 per ton.**

This base price index represents an average of F.O.B. selling prices of asphalt binder at supplier's terminals on **July 1, 2018.**

### **PRICE ADJUSTMENTS - ASPHALT CONCRETE PLANT MIX**

(9-1-11) (Rev. 9-8-17)

DB6 R26

Revise the 2018 *Standard Specifications for Roads and Structures* as follows:

#### **Page 6-15, Article 609-11 and Page 6-31, Article 610-14**

Add the following paragraph before the first paragraph:

The "Asphalt Price" used to calculate any price adjustments set forth in this section shall be \$40.00 per theoretical ton. This price shall apply for all mix types.

### **FIELD OFFICE**

(6-1-07) (Rev. 6-22-15)

DB 08-01

#### **Description**

This work consists of furnishing, erecting, equipping, and maintaining a field office for the exclusive use of Department Engineers and Inspectors at a location on the project approved by the Engineer. Provide a field office that complies with the current A.D.A. Design and Accessibility Standards, the National Electric Code, local, state, and federal regulations, and the following:

#### **Procedures**

The field office and equipment shall remain the property of the Design-Build Team upon completion of the contract. The field office must be separated from buildings and trailers used by the Design-Build Team and shall be erected and functional as an initial operation. Failure to have the field office functional when work first begins on the project will result in withholding payment of the Design-Build Team's monthly progress estimate. The field office must be operational throughout the duration of the project and be removed upon completion and final acceptance of the project.

Provide a field office that is weatherproof, tightly floored and roofed, constructed with an air space above the ceiling for ventilation, supported above the ground, has a width of at least ten feet, and the floor-to-ceiling height that is at least 7 feet 6 inches. Provide inside walls and a

ceiling that are constructed of plywood, fiber board, gypsum board, or other suitable materials. Have the exterior walls, ceiling, and floor insulated.

Provide a field office with a minimum floor space of 1800 square feet and that is equipped with the following:

<u>Number</u>	<u>Item</u>
1	Double-pedestal desk (approximately 60 by 34 inches, at least 2,000 square inches)
1	Plan and drafting table (approximately 30 by 96 inches) with adjustable stool
1	Computer table having a minimum size of 48 by 30 by 29 inches
1	Plan rack for 24 by 36 inch drawings with 6 plan clamps
1	Printing calculator
2	2-drawer fire protection file, 15 inch drawer width, minimum UL rating of Class 350
6	Office chairs with a minimum of two having casters
2	Wastebaskets
1	Pencil sharpener
1	Copy machine (8 inch x 11 inch copies)
1	Telephone
1	Fax Machine
1	Answering machine
1	Internet Connection Service (modem for Wi-Fi)

### **Windows and Doors**

Provide a field office with at least three windows, with blinds, each having an area of at least 540 square inches, capable of being easily opened and secured from the inside and having at least two exterior passage doors. Provide doors at least 30 inches in width and 78 inches in height. Provide screens for windows and doors. Equip exterior passage door(s) with lock(s), and furnish at least two keys to the Engineer or inspector.

### **Steps**

Provide accessibility in compliance with the current A. D. A. Design and Accessibility Standards, and the State Building Code and maintain them free from obstructions.

### **Storage Facility For Nuclear Gage**

Furnish the field office with an outside storage facility for the Department's nuclear gage. The storage facility shall not be located within ten feet of any other structure including the field office.

### **Lighting, Heating, and Air Conditioning**

The field office must have satisfactory lighting, electrical outlets, heating equipment, an exhaust fan, and an air conditioner connected to an operational power source. Provide at least one of the

light fixtures that shall be a fluorescent light situated over the plan and drafting table. Furnish electrical current and fuel for heating equipment.

### **Fire Extinguishers**

Furnish and maintain one fire extinguisher for each required exterior passage door. Fire extinguisher(s) may be chemical or dry powder. UL Classification 10-B:C (minimum), suitable for Type A:B:C: fires. Mount and maintain fire extinguisher(s) in accordance with OSHA Safety and Health Standards.

### **Toilets**

Provide a toilet conforming to the requirements of the state and local boards of health or other bodies or courts having jurisdiction in the area. Provide separate facilities for men and women, place a sign with the word "Men" / "Women" (with letters at least 1 inch in height) over the appropriate doorway, and provide an adequate positive locking system on the inside of the doorway. Maintain responsibility for the water and sewer connections or the installation and connection of a water well and septic tank and drain field. These facilities must conform to all local and state permits.

### **Utilities**

Except for telephone service, make arrangement for necessary internet and utility connections, maintain internet and utilities, pay internet and utility service fees and bills, and make arrangements for final disconnection of internet and utilities. Furnish a telephone in each field office and permit the work necessary to install it. Installation and service fees for the telephone will be paid for by the Department.

### **Storage Facility for Test Equipment**

Provide the field office with a storage facility, separate from the office for storage of test equipment, other than the nuclear gage. Provide a facility that has a minimum floor space of 64 square feet, is weatherproof, tightly floored and roofed, and has a tamper resistant key operated lock.

### **Miscellaneous Items**

The field office must also include the following:

1. A certification that the office is free of asbestos and other hazardous materials.
2. A broom, dust pan, mop and bucket, and general cleaning supplies.
3. Provide and maintain an all-weather parking area for 15 vehicles, including graveled access to the paved surface.



**GEOTEXTILE FOR PAVEMENT STABILIZATION**

(5-7-14) (Rev. 3-9-18)

DB 08-05

**Description**

Supply and install geotextile for pavement stabilization in accordance with the Geotechnical Engineering Scope of Work found elsewhere in this RFP. Geotextile for pavement stabilization may be required above chemically stabilized subgrades or below Class IV subgrade stabilization to prevent pavement cracking at locations shown in the plans developed by the Design-Build Team, and as *directed* by the Engineer. Where Class IV subgrade stabilization in lieu of chemical stabilization is used, the geotextile for pavement stabilization may be used in place of the geotextile for soil stabilization, Type 4 provided the construction methods described in this section are followed. (Reference the *Class IV Subgrade Stabilization in Lieu of Chemical Stabilization* Standard Special Provision found elsewhere in this RFP)

**Materials**

Refer to Division 10 of the 2018 2018 *Standard Specifications for Roads and Structures*.

<b>Item</b>	<b>Section</b>
Geotextiles	1056

Provide Type 5 geotextile for geotextile for pavement stabilization that meets the following requirements in the machine direction (MD) and cross-machine direction (CD):

<b>GEOTEXTILE FOR PAVEMENT STABILIZATION REQUIREMENTS</b>		
<b>Tensile Strength</b>	<b>Requirement (MARV<sup>A</sup>)</b>	<b>Test Method</b>
Tensile Strength @ 5% Strain (MD & CD <sup>A</sup> )	1,900 lb/ft	ASTM D4595
Ultimate Tensile Strength (MD & CD <sup>A</sup> )	4,800 lb/ft	ASTM D4595

A. MD, CD and MARV per Article 1056-3 of the 2018 *Standard Specifications for Roads and Structures*.

**Construction Methods**

The Design-Build Team shall determine if geotextile for pavement stabilization is required. The Design-Build Team shall show proposed locations in the plans developed by the Design-Build Team, and other locations as directed by the Engineer. For locations with chemically stabilized subgrades, use of geotextile for pavement stabilization will be based on sampling and testing for chemical stabilization. For all other locations, follow the criteria in the Geotechnical Engineering Scope of Work found elsewhere in this RFP.

Place geotextile for pavement stabilization above chemically stabilized subgrades or below aggregate as shown in the plans developed by the Design-Build Team. Pull geotextiles taut so they are in tension and free of kinks, folds, wrinkles or creases. Install geotextile for pavement stabilization perpendicular to the survey or lane line in the MD and adjacent to each other in the

CD as shown in the plans developed by the Design-Build Team. Continuous geotextiles shall be required in the MD, i.e., do not splice or overlap geotextiles so seams are parallel to the survey or lane line. Completely cover stabilized subgrades with geotextile for pavement stabilization. Overlapping geotextiles in the CD is permitted, but not required. Overlap geotextiles in the direction that aggregate will be placed to prevent lifting the edge of the top geotextile. Hold geotextiles in place with wire staples or anchor pins as needed.

Do not damage geotextile for pavement stabilization when placing aggregate. Place and compact aggregate in accordance with this scope of work and the 2018 *Standard Specifications for Roads and Structures*. Do not operate heavy equipment on geotextiles any more than necessary to construct base courses or subgrades. Replace any damaged geotextiles to the satisfaction of the Engineer.

### **FOUNDATIONS AND ANCHOR ROD ASSEMBLIES FOR METAL POLES**

(1-17-12) (Rev. 9-8-17)

9, 14, 17

DB9 R05

#### **Description**

Foundations for metal poles include foundations for signals, cameras, overhead and dynamic message signs (DMS) and high mount and light standards supported by metal poles or upright trusses. Foundations consist of footings with pedestals and drilled piers with or without grade beams or wings. Anchor rod assemblies consist of anchor rods (also called anchor bolts) with nuts and washers on the exposed ends of rods and nuts and a plate or washers on the other ends of rods embedded in the foundation.

Construct concrete foundations with the required resistances and dimensions and install anchor rod assemblies in accordance with the contract and accepted submittals. Construct drilled piers consisting of cast-in-place reinforced concrete cylindrical sections in excavated holes. Provide temporary casings or polymer slurry as needed to stabilize drilled pier excavations. Use a prequalified Drilled Pier Contractor to construct drilled piers for metal poles. Define “excavation” and “hole” as a drilled pier excavation and “pier” as a drilled pier.

This provision does not apply to foundations for signal pedestals; see Section 1743 of the 2018 *Standard Specifications for Roads and Structures* and 2018 Roadway Standard Drawing No. 1743.01.

## Materials

Refer to the 2018 *Standard Specifications for Roads and Structures*.

Item	Section
Conduit	1091-3
Grout, Type 2	1003
Polymer Slurry	411-2(B)(2)
Portland Cement Concrete	1000
Reinforcing Steel	1070
Rollers and Chairs	411-2(C)
Temporary Casings	411-2(A)

Provide Type 3 material certifications in accordance with Article 106-3 of the 2018 *Standard Specifications for Roads and Structures* for conduit, rollers, chairs and anchor rod assemblies. Store steel materials on blocking at least 12" above the ground and protect it at all times from damage; and when placing in the work make sure it is free from dirt, dust, loose mill scale, loose rust, paint, oil or other foreign materials. Load, transport, unload and store foundation and anchor rod assembly materials so materials are kept clean and free of damage. Bent, damaged and / or defective materials shall be rejected.

Use conduit type in accordance with the contract. Use Class A concrete for footings and pedestals, Class Drilled Pier concrete for drilled piers and Class AA concrete for grade beams and wings including portions of drilled piers above bottom of wings elevations. Corrugated temporary casings may be accepted at the discretion of the Engineer. A list of approved polymer slurry products is available from:

**[connect.ncdot.gov/resources/Geological/Pages/Products.aspx](http://connect.ncdot.gov/resources/Geological/Pages/Products.aspx)**

Provide anchor rod assemblies in accordance with the contract consisting of the following:

- (A) Straight anchor rods,
- (B) Heavy hex top and leveling nuts and flat washers on exposed ends of rods, and
- (C) Nuts and either flat plates or washers on the other ends of anchor rods embedded in foundations

Do not use lock washers. Use steel anchor rods, nuts and washers that meet ASTM F1554 for Grade 55 rods and Grade A nuts. Use steel plates and washers embedded in concrete with a thickness of at least 1/4". Galvanize anchor rods and exposed nuts and washers in accordance with Article 1076-4 of the 2018 *Standard Specifications for Roads and Structures*. It is not necessary to galvanize nuts, plates and washers embedded in concrete.

## Construction Methods

Install the required size and number of conduits in foundations in accordance with the plans developed by the Design-Build Team and accepted submittals. Construct top of piers, footings, pedestals, grade beams and wings flat, level and within 1" of elevations shown in the plans developed by the Design-Build Team or approved by the Engineer. Provide an Ordinary Surface finish in accordance with Subarticle 825-6(B) of the 2018 *Standard Specifications for Roads and Structures* for portions of foundations exposed above finished grade. Do not remove anchor bolt templates or pedestal or grade beam forms or erect metal poles or upright trusses onto foundations until concrete attains a compressive strength of at least 3,000 psi.

### (A) Drilled Piers

Before starting drilled pier construction, hold a predrill meeting to discuss the installation, monitoring and inspection of the drilled piers. Schedule this meeting after the Drilled Pier Contractor has mobilized to the site. The Resident or Division Traffic Engineer, Design-Build Team and Drilled Pier Contractor Superintendent shall attend this predrill meeting.

Do not excavate holes, install piles or allow equipment wheel loads or vibrations within 20 feet of completed piers until 16 hours after Drilled Pier concrete reaches initial set.

Check for correct drilled pier alignment and location before beginning drilling. Check plumbness of holes frequently during drilling.

Construct drilled piers with the minimum required diameters shown in the plans developed by the Design-Build Team. Install piers with tip elevations no higher than shown in the plans developed by the Design-Build Team or approved by the Engineer.

Excavate holes with equipment of the sizes required to construct drilled piers. Depending on the subsurface conditions encountered, drilling through rock and boulders may be required. Do not use blasting for drilled pier excavations.

Contain and dispose of drilling spoils and waste concrete as directed and in accordance with Section 802 of the 2018 *Standard Specifications for Roads and Structures*. Drilling spoils consist of all materials and fluids removed from excavations.

If unstable, caving or sloughing materials are anticipated or encountered, stabilize holes with temporary casings and / or polymer slurry. Do not use telescoping temporary casings. If it becomes necessary to replace a temporary casing during drilling, backfill the excavation, insert a larger casing around the casing to be replaced or stabilize the excavation with polymer slurry before removing the temporary casing.

If temporary casings become stuck or the Design-Build Team proposes leaving casings in place, temporary casings shall be installed against undisturbed material. Unless

otherwise approved, do not leave temporary casings in place for mast arm poles and cantilever signs. The Engineer will determine if casings may remain in place. If the Design-Build Team proposes leaving temporary casings in place, do not begin drilling until a casing installation method is approved.

Use polymer slurry and additives to stabilize holes in accordance with the slurry manufacturer's recommendations. Provide mixing water and equipment suitable for polymer slurry. Maintain the required slurry properties at all times except for sand content.

Define a "sample set" as slurry samples collected from mid-height and within two feet of the bottom of holes. Take sample sets from excavations to test polymer slurry immediately after filling holes with slurry, at least every four hours thereafter and immediately before placing concrete. Do not place Drilled Pier concrete until both slurry samples from an excavation meet the required polymer slurry properties. If any slurry test results do not meet the requirements, the Engineer may suspend drilling until both samples from a sample set meet the required polymer slurry properties.

Remove soft and loose material from bottom of holes using augers to the satisfaction of the Engineer. Assemble rebar cages and place cages and Drilled Pier concrete in accordance with Subarticle 411-4(E) of the 2018 *Standard Specifications for Roads and Structures*, except for the following:

- (1) Inspections for tip resistance and bottom cleanliness are not required,
- (2) Temporary casings may remain in place if approved, and
- (3) Concrete placement may be paused near the top of pier elevations for anchor rod assembly installation and conduit placement or
- (4) If applicable, concrete placement may be stopped at bottom of grade beam or wings elevations for grade beam or wing construction.

If wet placement of concrete is anticipated or encountered, do not place Drilled Pier concrete until a concrete placement procedure is approved by the Engineer. If applicable, temporary casings and fluids may be removed when concrete placement is paused or stopped in accordance with the exceptions above provided holes are stable. Remove contaminated concrete from exposed Drilled Pier concrete after removing casings and fluids. If holes are unstable, do not remove temporary casings until a procedure for placing anchor rod assemblies and conduit or constructing grade beams or wings is approved by the Engineer.

Use collars to extend drilled piers above finished grade. Remove collars after Drilled Pier concrete sets and round top edges of piers.

If drilled piers are questionable, pile integrity testing (PIT) and further investigation may be required in accordance with Article 411-5 of the 2018 *Standard Specifications for Roads and Structures*. A drilled pier shall be considered defective in accordance with Subarticle 411-5(D) of the 2018 *Standard Specifications for Roads and Structures* and drilled pier acceptance shall be based in part on the criteria in Article 411-6 of the 2018 *Standard Specifications for Roads and Structures* except for the top of pier tolerances in Subarticle 411-6(C) of the 2018 *Standard Specifications for Roads and Structures*.

If a drilled pier is under further investigation, do not grout core holes, backfill around the pier or perform any work on the drilled pier until the Engineer accepts the pier. If the drilled pier is accepted, dewater and grout core holes and backfill around the pier with approved material to finished grade. If the Engineer determines a pier is unacceptable, remediation shall be required in accordance with Article 411-6 of the 2018 *Standard Specifications for Roads and Structures*. No extension of completion date or time will be allowed for remediation of unacceptable drilled piers or post repair testing.

Permanently embed a plate in or mark top of piers with the pier diameter and depth, size and number of vertical reinforcing bars and the minimum compressive strength of the concrete mix at 28 days.

(B) Footings, Pedestals, Grade Beams and Wings

Excavate as necessary for footings, grade beams and wings in accordance with the plans developed by the Design-Build Team, accepted submittals and Section 410 of the 2018 *Standard Specifications for Roads and Structures*. If unstable, caving or sloughing materials are anticipated or encountered, shore foundation excavations as needed with an approved method. Notify the Engineer when foundation excavation is complete. Do not place concrete or reinforcing steel until excavation dimensions and foundation material are approved by the Engineer.

Construct cast-in-place reinforced concrete footings, pedestals, grade beams and wings with the dimensions shown in the plans developed by the Design-Build Team and in accordance with Section 825 of the 2018 *Standard Specifications for Roads and Structures*. Use forms to construct portions of pedestals and grade beams protruding above finished grade. Provide a chamfer with a 3/4" horizontal width for pedestal and grade beam edges exposed above finished grade. Place concrete against undisturbed soil or backfill and fill in accordance with Article 410-8 of the 2018 *Standard Specifications for Roads and Structures*. Proper compaction around footings and wings is critical for foundations to resist uplift and torsion forces.

(C) Anchor Rod Assemblies

Size anchor rods for design and the required projection above top of foundations. Determine required anchor rod projections from nut, washer and base plate thicknesses,

the protrusion of three to five anchor rod threads above top nuts after tightening and the distance of one nut thickness between top of foundations and bottom of leveling nuts.

Protect anchor rod threads from damage during storage and installation of anchor rod assemblies. Before placing anchor rods in foundations, turn nuts onto and off rods past leveling nut locations. Turn nuts with the effort of one workman using an ordinary wrench without a cheater bar. Report any thread damage to the Engineer that requires extra effort to turn nuts.

Arrange anchor rods symmetrically about center of base plate locations as shown in the plans developed by the Design-Build Team. Set anchor rod elevations based on required projections above top of foundations. Securely brace and hold rods in the correct position, orientation and alignment with a steel template. Do not weld to reinforcing steel, temporary casings or anchor rods.

Install top and leveling (bottom) nuts, washers and the base plate for each anchor rod assembly in accordance with the following procedure:

- (1) Turn leveling nuts onto anchor rods to a distance of one nut thickness between the top of foundation and bottom of leveling nuts. Place washers over anchor rods on top of leveling nuts.
- (2) Determine if nuts are level using a flat rigid template on top of washers. If necessary, lower leveling nuts to level the template in all directions or if applicable, lower nuts to tilt the template so the metal pole or upright truss will lean as shown in the plans developed by the Design-Build Team. If leveling nuts and washers are not in full contact with the template, replace washers with galvanized beveled washers.
- (3) Verify the distance between the foundation and leveling nuts is no more than one nut thickness.
- (4) Place base plate with metal pole or upright truss over anchor rods on top of washers. High mount luminaires may be attached before erecting metal poles but do not attach cables, mast arms or trusses to metal poles or upright trusses at this time.
- (5) Place washers over anchor rods on top of base plate. Lubricate top nut bearing surfaces and exposed anchor rod threads above washers with beeswax, paraffin or other approved lubricant.
- (6) Turn top nuts onto anchor rods. If nuts are not in full contact with washers or washers are not in full contact with the base plate, replace washers with galvanized beveled washers.

- (7) Tighten top nuts to snug-tight with the full effort of one workman using a 12" wrench. Do not tighten any nut all at once. Turn top nuts in increments. Follow a star pattern cycling through each nut at least twice.
- (8) Repeat (7) for leveling nuts.
- (9) Replace washers above and below the base plate with galvanized beveled washers if the slope of any base plate face exceeds 1:20 (5%), any washer is not in firm contact with the base plate or any nut is not in firm contact with a washer. If any washers are replaced, repeat (7) and (8).
- (10) With top and leveling nuts snug-tight, mark each top nut on a corner at the intersection of two flats and a corresponding reference mark on the base plate. Mark top nuts and base plate with ink or paint that is not water-soluble. Use the turn-of-nut method for pretensioning. Do not pretension any nut all at once. Turn top nuts in increments for a total turn that meets the following nut rotation requirements:

<b>NUT ROTATION REQUIREMENTS (Turn-of-Nut Pretensioning Method)</b>	
<b>Anchor Rod Diameter, inch</b>	<b>Requirement</b>
$\leq 1 \frac{1}{2}$	1/3 turn (2 flats)
$> 1 \frac{1}{2}$	1/6 turn (1 flat)

Follow a star pattern cycling through each top nut at least twice.

- (11) Ensure nuts, washers and base plate are in firm contact with each other for each anchor rod. Cables, mast arms and trusses may now be attached to metal poles and upright trusses.
- (12) Between 4 and 14 days after pretensioning top nuts, use a torque wrench calibrated within the last 12 months to check nuts in the presence of the Engineer. Completely erect mast arm poles and cantilever signs and attach any hardware before checking top nuts for these structures. Check that top nuts meet the following torque requirements:

<b>TORQUE REQUIREMENTS</b>	
<b>Anchor Rod Diameter, inch</b>	<b>Requirement, ft-lb</b>
7/8	180
1	270
1 1/8	380
1 1/4	420
$\geq 1 \frac{1}{2}$	600



If necessary, retighten top nuts in the presence of the Engineer with a calibrated torque wrench to within  $\pm 10$  ft-lb of the required torque. Do not overtighten top nuts.

- (13) Do not grout under base plate.

## **OVERHEAD AND DYNAMIC MESSAGE SIGN FOUNDATIONS**

(9-11-17)

DB9 R07

### **Description**

Sign foundations include foundations for overhead and dynamic message signs (DMS) supported by metal poles or upright trusses. Sign foundations consist of footings with pedestals or drilled piers with or without grade beams or wings, conduit and anchor rod assemblies. Construct sign foundations in accordance with the contract and accepted submittals. Define “cantilever sign” as an overhead cantilever sign support in accordance with Figure 1-1 of the 2013 AASHTO *Standard Specifications for Structural Supports for Highway Signs, Luminaires and Traffic Signals*, 6th Edition, including the latest interim specifications and latest interim revisions.

### **Materials**

Use sign foundation materials that meet the *Foundations and Anchor Rod Assemblies for Metal Poles* Project Special Provision found elsewhere in this RFP.

### **Subsurface Conditions**

Assume the following soil parameters and groundwater elevation for sign foundations unless these subsurface conditions are not applicable to sign locations:

- (A) Unit weight ( $\gamma$ ) = 120 pcf,
- (B) Friction angle ( $\phi$ ) = 30°,
- (C) Cohesion (c) = 0 psf and
- (D) Groundwater 7 feet below finished grade.

A subsurface investigation shall be required if the Engineer determines these assumed subsurface conditions do not apply to a sign location and the sign cannot be moved. Subsurface conditions requiring a subsurface investigation shall include, but are not limited to, weathered or hard rock, boulders, very soft or loose soil, muck or shallow groundwater. No extension of completion date or time will be allowed for subsurface investigations.

### **Subsurface Investigations**

Use a prequalified geotechnical consultant to perform one standard penetration test (SPT) boring in accordance with ASTM D1586 at each sign location requiring a subsurface investigation. Rough grade sign locations to within two feet of finished grade before beginning drilling. Drill

borings to two drilled pier diameters below anticipated pier tip elevations or refusal, whichever is higher.

Use the computer software gINT version V8i or later manufactured by Bentley Systems, Inc. with the current NCDOT gINT library and data template to produce SPT boring logs. Provide boring logs sealed by a geologist or engineer licensed in the state of North Carolina.

### **Sign Foundation Designs**

Design sign foundations for the wind zone and clearances shown in the plans developed by the Design-Build Team and the slope of finished grade at each sign location. Use the assumed soil parameters and groundwater elevation above for sign foundation designs unless a subsurface investigation is performed or required by the Engineer. For sign locations requiring a subsurface investigation, design sign foundations for the subsurface conditions at each sign location. Design footings, pedestals, drilled piers, grade beams and wings in accordance with the 2013 AASHTO *Standard Specifications for Structural Supports for Highway Signs, Luminaires and Traffic Signals*, 6th Edition, including the latest interim specifications and latest interim revisions. In some instances, conflicts with drainage structures may dictate sign foundation types.

Design footings in accordance with Section 4.4 of the AASHTO *Standard Specifications for Highway Bridges*. Do not use an allowable bearing pressure of more than 3,000 psf for footings.

Design drilled piers for side resistance only in accordance with Section 4.6 of the AASHTO *Standard Specifications for Highway Bridges* except reduce ultimate side resistance by 25% for uplift. Use the computer software LPILE version 2016 or later manufactured by Ensoft, Inc. to analyze drilled piers. Provide drilled pier designs with a horizontal deflection of less than 1" at top of piers. For cantilever signs with single drilled pier foundations supporting metal poles, use wings to resist torsion forces. Provide drilled pier designs with a factor of safety of at least 2.0 for torsion.

For drilled pier sign foundations supporting upright trusses, use dual drilled piers connected with a grade beam having a moment of inertia approximately equal to that of either pier. The Broms' method is acceptable to analyze drilled piers with grade beams instead of LPILE. Use a safety factor of at least 3.5 for the Broms' design method in accordance with C13.6.1.1 of the 2013 AASHTO *Standard Specifications for Structural Supports for Highway Signs, Luminaires and Traffic Signals*, 6th Edition, including the latest interim specifications and latest interim revisions.

Submit boring logs, if any, working drawings and design calculations for acceptance in accordance with Article 105-2 of the 2018 NCDOT *Standard Specifications for Roads and Structures*. Submit working drawings showing plan views, required foundation dimensions and elevations and typical sections with reinforcement, conduit and anchor rod assembly details. Include all boring logs, design calculations and LPILE output for sign foundation design submittals. Have sign foundations designed, detailed and sealed by an engineer licensed in the state of North Carolina.

## Construction Methods

Construct footings, pedestals, drilled piers, grade beams and wings and install anchor rod assemblies for sign foundations in accordance with the *Foundations and Anchor Rod Assemblies for Metal Poles* Project Special Provision found elsewhere in this RFP. Submit boring logs, if any, working drawings and design calculations for acceptance in accordance with Article 105-2 of the 2018 NCDOT *Standard Specifications for Roads and Structures*. Submit working drawings showing plan views, required foundation dimensions and elevations and typical sections with reinforcement, conduit and anchor rod assembly details. Include all boring logs, design calculations and LPILE output for sign foundation design submittals. Have sign foundations designed, detailed and sealed by an engineer licensed in the state of North Carolina.

## ROADWAY LIGHTING FOUNDATIONS

(9-12-17)

DB9 R09

### Description

Roadway lighting foundations include foundations for high mount and light standards. High mount foundations for high mount standards and standard foundations for light standards consist of drilled piers or footings with pedestals, conduit and anchor rod assemblies. Construct roadway lighting foundations in accordance with the contract, 2018 *Roadway Standard Drawings* and accepted submittals. Define “high mount foundation” as a drilled pier including the conduit and anchor rod assembly that meets 2018 Roadway Standard Drawing No. 1402.01. Define “standard foundation” as a drilled pier or footing with pedestal including the conduit and anchor rod assembly that meets 2018 Roadway Standard Drawing No. 1405.01.

### Materials

Use roadway lighting foundation materials that meet the *Foundations and Anchor Rod Assemblies for Metal Poles* Project Special Provision found elsewhere in this RFP. Provide metal shrouds for median mounted light standards in accordance with Subarticle 1400-4(I) of the 2018 *Standard Specifications for Roads and Structures*.

### Roadway Lighting Foundations

#### (A) High Mount Foundations

Construct high mount foundations for the wind zone and high mount heights shown in the plans unless the following assumed site conditions are not applicable to high mount locations:

- 1) Soil with unit weight ( $\gamma$ )  $\geq$  120 pcf and friction angle ( $\phi$ )  $\geq$  30<sup>o</sup>,
- 2) Groundwater at least 7 feet below finished grade and
- 3) Slope of finished grade 6:1 (H:V) or flatter.

A subsurface investigation and high mount foundation design are required if the Engineer determines these assumed site conditions do not apply to a high mount location and the high mount cannot be moved. Subsurface conditions requiring a high mount foundation design include but are not limited to weathered or hard rock, boulders, very soft or loose soil, muck or shallow groundwater. No extension of completion date or time will be allowed for subsurface investigations or high mount foundation designs.

#### (B) Standard Foundations

Construct standard foundation types for the light standard types shown in the plans and the site conditions at each light standard location. When weathered or hard rock, boulders or obstructions conflict with standard foundations, submit an alternate standard foundation design for acceptance in accordance with Article 105-2 of the 2018 *Standard Specifications for Roads and Structures*. No extension of completion date or time will be allowed for alternate standard foundations.

#### **Subsurface Investigations**

Use a prequalified geotechnical consultant to perform one standard penetration test (SPT) boring in accordance with ASTM D1586 at each high mount location requiring a subsurface investigation. Rough grade high mount locations to within two feet of finished grade before beginning drilling. Drill borings to two drilled pier diameters below anticipated pier tip elevations or refusal, whichever is higher.

Use the computer software gINT version V8i or later manufactured by Bentley Systems, Inc. with the current NCDOT gINT library and data template to produce SPT boring logs. Provide boring logs sealed by a geologist or engineer licensed in the state of North Carolina.

#### **High Mount Foundation Designs**

Design high mount foundations for the wind zone and high mount heights shown in the plans and the slope of finished grade and subsurface conditions at each high mount location. Design drilled piers, footings and pedestals in accordance with the AASHTO *Standard Specifications for Structural Supports for Highway Signs, Luminaires and Traffic Signals*.

Design drilled piers for side resistance only in accordance with Section 4.6 of the AASHTO *Standard Specifications for Highway Bridges*. Use the computer software LPILE version 2016 or later manufactured by Ensoft, Inc. to analyze drilled piers. Provide drilled pier designs with a horizontal deflection of less than 0.5" at top of piers.

Design footings in accordance with Section 4.4 of the AASHTO *Standard Specifications for Highway Bridges*. Do not use an allowable bearing pressure of more than 3,000 psf for footings.

Submit boring logs, working drawings and design calculations for acceptance in accordance with Article 105-2 of the 2018 *Standard Specifications for Roads and Structures*. Submit working drawings showing plan views, required foundation dimensions and elevations and typical

sections with reinforcement, conduit and anchor rod assembly details. Include all boring logs, design calculations and LPILE output for high mount foundation design submittals. Have high mount foundations designed, detailed and sealed by an engineer licensed in the state of North Carolina.

### **Construction Methods**

Grade around roadway lighting locations with cut and fill slopes as shown on 2018 Roadway Standard Drawing No. 1402.01 or 1405.01. Construct drilled piers, footings and pedestals and install anchor rod assemblies for roadway lighting foundations in accordance with the *Foundations and Anchor Rod Assemblies for Metal Poles* Project Special Provision found elsewhere in this RFP.

For median mounted light standards, place concrete for median barriers and underlying pedestals in the same pour. Construct concrete barriers in accordance with the contract and make concrete median barriers continuous through standard foundations. Coordinate construction of median mounted light standards with sign structures, concrete barriers, drainage structures, etc. to avoid conflicts.

## **LIGHTING**

### **1.00 DESCRIPTION**

The work covered by this Section consists of furnishing, installing, connecting, and placing into satisfactory operating condition roadway lighting at locations shown on the plans. Perform all work in accordance with these Special Provisions, the Plans, the National Electrical Code, and North Carolina Department of Transportation "Standard Specifications for Roads and Structures" (2018 *Standard Specifications for Roads and Structures*).

Perform all work in conformance with Division 14 of the 2018 *Standard Specifications for Roads and Structures* except as modified or added to by these Special Provisions. Install all bore pits outside the clear zone, as defined in the AASHTO Roadside Design Guide or as directed by the Engineer.

In addition to the requirements of Division 1400, other specific Sections of the 2018 *Standard Specifications for Roads and Structures* applicable to the work on this project are listed below.

Section 1401	High Mount Standard and Portable Drive Unit
Section 1404	Light Standards
Section 1407	Electric Service Pole and Lateral
Section 1408	Light Control System
Section 1409	Electrical Duct
Section 1410	Feeder Circuits
Section 1411	Electrical Junction Boxes
Section 1412	Underpass Lighting

## 2.00 LIGHT STANDARD LIGHT EMITTING DIODE (LED) LUMINAIRES

### 2.10 DESCRIPTION

Furnish, install and place into satisfactory operation luminaire, either on a bracket arm or directly mounted to the standard, complete with all light sources, drivers, wiring inside standard from circuit conductors to luminaire, in-line breakaway fuseholders and fuses and ground wiring at the pole on light standards less than 55 feet in height.

Type	HPS Replacement Equivalent	Color Temp	Min. % of initial output at 70k hours	Min. Maintained Delivered Lumens
185W LED	250W	3500K ±500K	83%	15,500
285W LED	400W	3500K ±500K	83%	19,150

Third party certified photometric files in IES format are required to be submitted with the catalog cuts for the proposed LED roadway luminaire. Photometric files must show that proposed luminaire will meet or exceed the design shown in the plans.

The manufacturer shall state the Light Loss Factor (LLF) used in the photometric calculations for the proposed luminaire. LLF shall be calculated as follows:

$$\text{LLF} = \text{Lamp Lumen Depreciation (LLD)} \times \text{Luminaire Dirt Depreciation (LDD)}$$

- Lamp Lumen Depreciation (LLD) shall be the value calculated and reported by the manufacturer based on the LM-80 and TM-21 reports for the proposed fixture for 70,000 hours at 25° C.
- Luminaire Dirt Depreciation (LDD) = 0.90

### 2.20 MATERIALS

#### 2.21 LUMINAIRE REQUIREMENTS

##### A. General Requirements

- LM-79 photometric test reports shall be provided for all LED luminaires. LM-79 luminaire photometric reports shall be produced by an independent test laboratory and include the following:
  - Name of test laboratory. The test laboratory must hold National Voluntary Laboratory Accreditation Program (NVLAP) accreditation for the IES LM-79 test procedure or must be qualified, verified, and recognized through the U.S. Department of Energy's CALiPER program.
  - Report number
  - Date

- Complete luminaire catalog number. Catalog number tested must match the catalog number of the luminaire submitted, except for variations which do not affect performance.
  - Description of luminaire, LED light source(s), and LED driver(s)
  - Goniophotometry
  - Colorimetry
- 
- LM-80 lumen maintenance test report shall be provided for each respective LED light source.
  - Luminaire shall be constructed of a single piece die cast aluminum housing. Each luminaire shall be finished gray in color unless otherwise noted.
  - The luminaire shall have a 7 pin ANSI C136.41 compliant photocontrol receptacle for future expansion capabilities.
  - Provide a summary of reliability testing performed for LED driver.
  - Luminaires maximum total power consumption shall not exceed the values shown in the table above. Nominal luminaire input wattage shall account for nominal applied voltage and any reduction in driver efficiency due to sub-optimal driver loading.
  - Luminaire shall have a maximum Backlight, Uplight & Glare (BUG) rating of 3-0-3 and an IESNA distribution of Type II or Type III as required to meet the spacing, the average maintained footcandle level and the average to minimum uniformity ratio requirements shown on the plans. The same BUG rating and distribution type shall be used throughout the project.
  - Minimum Ingress Protection (IP) dust and moisture ratings for the luminaire electrical components (driver and surge protection) and luminaire optical components shall be IP65 and IP66, respectively, as specified in ANSI C136.25.
  - Luminaire shall have external and internal labels per ANSI C136.15 and ANSI C136.22, respectively. Internal label shall identify the manufacturer, year and month of manufacture and the manufacturer's part number.
  - Luminaire shall have an internal bubble level.
  - Luminaires shall start and operate in -20° C to +40° C ambient.
  - Luminaires shall be rated for continuous service at an ambient temperature of 40° C (104° F)
  - Electrically test fully assembled luminaires before shipment from factory.
  - Effective Projected Area (EPA) and weight of the luminaires shall not exceed 1.4 square feet and 46 lbs.
  - Luminaires shall be designed for ease of electrical component replacement.
  - Luminaires shall be rated for minimum 2G vibration, minimum, per ANSI C136.31.
  - LED light sources and drivers shall be RoHS compliant.
  - The luminaire manufacturer shall have no less than five (5) years of experience in manufacturing LED-based lighting products and the manufacturing facility must be ISO 9001 certified.
  - Luminaire shall have a 1.25" to 2.0" adjustable tenon mount for connection to luminaire bracket arm assembly.

- Pole hardware, nuts, bolts, and washers, etc. shall be made from 18-8 stainless steel, or steel conforming to ASTM A307 galvanized in accordance with ASTM A153.
- Grommets shall be installed in cable entry holes. Cable entry holes shall be free from sharp edges which might cut conductors or an ungloved hand.
- All conductors inside the luminaire shall be neatly secured with tie-wraps as needed to prevent pinch points and assist in trouble shooting.

#### B. Driver

- Shall be 0V-10V dimmable.
- Rated case temperature shall be suitable for operation in the luminaire operating in the ambient temperature range of -20° C to +40° C.
- Shall be rated for 480VAC at 50/60 Hz, and shall operate normally for input voltage fluctuations of  $\pm 10\%$ .
- Shall have a minimum Power Factor (PF) of 0.90 at full input power and across specified voltage range.
- Shall provide UL Class II output.

#### C. Surge Suppression

- Integral surge protection shall meet ANSI/IEEE C62.45 procedures based on ANSI/IEEE C62.41.2 definitions for standard and optional waveforms for location category C-High 10kV/10kA test, IEC 61000-4-2 (Electrostatic Discharge) 8kV Air/4kV Contact test and IEC 61000-4-4 (Fast Transients).

#### D. Electromagnetic interference

- Luminaires shall have a maximum Total Harmonic Distortion (THD) of 20% at full input power and across specified voltage range.
- Luminaires shall comply with FCC 47 CFR part 15 non-consumer RFI/EMI standards.

#### E. Electrical safety testing

- Luminaires shall be listed for wet locations.
- Luminaires shall be UL listed and labeled.

#### F. Finish

- Luminaires shall be painted with a corrosion resistant polyester powdered paint with a minimum 2.0 mil thickness.
- Luminaires shall exceed a rating of six per ASTM D1654 after 1000 hours of salt spray fog testing per ASTM B117.



- The coating shall exhibit no greater than 30% reduction of gloss per ASTM D523, after 500 hours of QUV testing at ASTM G154 Cycle 6.
- Exterior surfaces shall be smooth and free of burrs.

#### G. Thermal management

- Mechanical design of protruding external surfaces (heat sink fins) on roadway luminaries shall facilitate hose-down cleaning and discourage debris accumulation.
- Liquids or moving parts will not be allowed for thermal management.

#### H. Color Quality

- Minimum Color Rendering Index (CRI) of 70 with a Correlated Color Temperature (CCT) of 3000K to 4000K

#### I. Optics

- Transmissive optical components shall be applied in accordance with OEM design guidelines to ensure suitability for the thermal / mechanical / chemical environment.

#### J. The following shall be in accordance with corresponding sections of ANSI C136.37

- All internal components shall be assembled and pre-wired using modular electrical connections.
- Terminal blocks shall be used for incoming AC lines. Terminal blocks shall be easily accessible to installers or repair personnel. Wire nuts are prohibited inside the luminaire housing.

#### K. Latching and hinging

- Refractor and housing door holders and hinges shall be designed to maintain positive control of door to the luminaire body so as not to allow the accidental disengagement of either door.
- Drivers shall be mounted to a housing door designed to be opened from the bottom of the luminaire. Housing door shall allow easy removal for troubleshooting / repair on the ground.

#### L. Manufacturer or local sales representative shall provide installation and troubleshooting support via telephone and / or email.

### 2.30 WARRANTY

Provide a minimum ten-year warranty covering maintained integrity and functionality of the luminaire housing, wiring, and connections, LED light source(s) and LED driver. Negligible light output from more than 10 percent of the LED packages constitutes luminaire failure.

Warranty period shall begin after project acceptance by the Department. Supplier shall furnish documentation of warranty procedures to the Design-Build Team stating that warranty is for NCDOT.

### 2.40 CONSTRUCTION METHODS

Level and secure each luminaire in all directions. Adjust any luminaires, as directed by the Engineer, to provide optimal illumination distribution.

All LED packages on all luminaires must be operating normally at contract completion. Any luminaire displaying improper operating characteristics prior to contract completion will be replaced by the Design-Build Team at no additional cost to the Department.

## 3.00 HIGH MAST LIGHT EMITTING DIODE (LED) LUMINAIRES

### 3.10 DESCRIPTION

Furnish, install and place into satisfactory operation, LED luminaires on high mount standards as detailed in these Special Provisions.

The Design-Build Team shall supply Holophane or Cooper LED high mount luminaires as specified below or approved equal.

<b>Mounting Height</b>	<b># of Fixtures</b>	<b>Holophane Part Number</b>	<b>Cooper Part Number</b>
120'	8	HMLED3-PK3-40K-HVOLT-G-AW-P7	GAN-AF-10-LED-8-5WQ-AP-MA-4N7
100'	6	HMLED3-PK3-40K-HVOLT-G-AW-P7	GAN-AF-10-LED-8-5WQ-AP-MA-4N7
80'	8	HMLED3-PK1-40K-HVOLT-G-AW-P7	GAN-AF-06-LED-8-5WQ-AP-MA-4N7
60'	4	HMLED3-PK1-40K-HVOLT-G-AW-P7	GAN-AF-06-LED-8-5WQ-AP-MA-4N7

Any alternate luminaire submitted for approval must meet the minimum requirements in the table and sections below.

<b>Mounting Height</b>	<b>Max. LED Fixture Wattage</b>	<b>Number &amp; HPS Replacement Equivalent</b>	<b>Color Temp</b>	<b>Min. % of initial output at 70k hours</b>	<b>Min. Maintained Delivered Lumens (per fixture)</b>
120'	560W	8 x 750W	3500K ±500K	87%	54,000
100'	560W	6 x 750W	3500K ±500K	87%	54,000
80'	335W	8 x 400W	3500K ±500K	87%	27,000
60'	335W	4 x 400W	3500K ±500K	87%	27,000

The Design-Build Team shall supply the Department with current catalog cuts and 3<sup>rd</sup> party certified photometric data files in Illuminating Engineering Society (IES) format for any alternate high mount luminaire submitted for approval. The Department will thoroughly evaluate alternate luminaires to determine if proposed alternate high mount luminaire meets or exceeds design criteria.

The manufacturer shall state the Light Loss Factor (LLF) used in the photometric calculations for the proposed luminaire. LLF shall be calculated as follows:

$$\text{LLF} = \text{Lamp Lumen Depreciation (LLD)} \times \text{Luminaire Dirt Depreciation (LDD)}$$

- Lamp Lumen Depreciation (LLD) shall be the value calculated and reported by the manufacturer based on the LM-80 and TM-21 reports for the proposed fixture for 70,000 hours at 25° C.
- Luminaire Dirt Depreciation (LDD) = 0.90

High mount luminaire retrofit LED kits are not an acceptable alternative.

### 3.20 MATERIALS

#### 3.21 LUMINAIRE REQUIREMENTS

##### A. General Requirements

- LM-79 photometric test reports shall be provided for all LED luminaires. LM-79 luminaire photometric reports shall be produced by an independent test laboratory and include the following:
  - Name of test laboratory. The test laboratory must hold National Voluntary Laboratory Accreditation Program (NVLAP) accreditation for the IES LM-79 test procedure or must be qualified, verified, and recognized through the U.S. Department of Energy's CALiPER program.
  - Report number
  - Date

- Complete luminaire catalog number. Catalog number tested must match the catalog number of the luminaire submitted, except for variations which do not affect performance.
  - Description of luminaire, LED light source(s), and LED driver(s)
  - Goniophotometry
  - Colorimetry
- 
- LM-80 lumen maintenance test report shall be provided for each respective LED light source.
  - Luminaire shall be constructed of aluminum. Each luminaire shall be finished gray in color unless otherwise noted.
  - The luminaire shall have a 7 pin ANSI C136.41 compliant photocontrol receptacle for future expansion capabilities.
  - Provide a summary of reliability testing performed for LED driver.
  - Luminaires maximum total power consumption shall not exceed the values shown in the table above. Nominal luminaire input wattage shall account for nominal applied voltage and any reduction in driver efficiency due to sub-optimal driver loading.
  - Luminaire shall have a maximum Backlight, Uplight & Glare (BUG) rating of 5-0-5 and an IESNA distribution of Type V as required to meet the spacing, the average maintained footcandle level and the average to minimum uniformity ratio requirements shown on the plans. The same BUG rating and distribution type shall be used throughout the project.
  - Luminaire LED modules shall meet dust and moisture rating of IP-66, minimum.
  - Luminaire shall have an external label per ANSI C136.15.
  - Luminaires shall have an internal label per ANSI C136.22.
  - Luminaires shall start and operate in -20° C to +40° C ambient.
  - Electrically test fully assembled luminaires before shipment from factory.
  - Effective Projected Area (EPA) and weight of the luminaires shall not exceed 1.3 square feet and 65 lbs.
  - Luminaires shall be designed for ease of electrical component replacement.
  - Luminaires shall be rated for minimum 2G vibration, minimum, per ANSI C136.31-2010
  - LED light sources and drivers shall be RoHS compliant.
  - The luminaire manufacturer shall have no less than five (5) years of experience in manufacturing LED-based lighting products and the manufacturing facility must be ISO 9001 certified.
  - Pole hardware, nuts, bolts, and washers, etc. shall be made from 18-8 stainless steel, or steel conforming to ASTM A307 galvanized in accordance with ASTM A153.

#### B. Driver

- Shall be 0V-10V dimmable.
- Rated case temperature shall be suitable for operation in the luminaire operating in the ambient temperature range of -20° C to +40° C.
- Shall be rated for 480VAC at 50/60 Hz, and shall operate normally for input voltage fluctuations of  $\pm 10\%$ .
- Shall have a minimum Power Factor (PF) of 0.90 at full input power and across specified voltage range.

#### C. Surge Suppression

- Integral surge protection shall meet ANSI/IEEE C62.45 procedures based on ANSI/IEEE C62.41.2 definitions for standard and optional waveforms for location category C-High 10kV/10kA test, IEC 61000-4-2 (Electrostatic Discharge) 8kV Air/4kV Contact test and IEC 61000-4-4 (Fast Transients).

#### D. Electromagnetic interference

- Luminaires shall have a maximum Total Harmonic Distortion (THD) of 20% at full input power and across specified voltage range.
- Luminaires shall comply with FCC 47 CFR part 15 non-consumer RFI/EMI standards.

#### E. Electrical safety testing

- Luminaires shall be listed for wet locations.
- Luminaires shall be UL listed and labeled.

#### F. Finish

- Luminaires shall be painted with a corrosion resistant polyester powdered paint with a minimum 2.0 mil thickness.
- Luminaires shall exceed a rating of six per ASTM D1654 after 1000 hours of salt spray fog testing per ASTM B117.
- The coating shall exhibit no greater than 30% reduction of gloss per ASTM D523, after 500 hours of QUV testing at ASTM G154 Cycle 6.

#### G. Thermal management

- Mechanical design of protruding external surfaces (heat sink fins) shall facilitate hose-down cleaning and discourage debris accumulation.

#### H. Color Quality

- Minimum Color Rendering Index (CRI) of 70 with a Correlated Color Temperature (CCT) of 3000K to 4000K

#### I. Optics

- Transmissive optical components shall be applied in accordance with OEM design guidelines to ensure suitability for the thermal/mechanical/chemical environment.

#### J. The following shall be in accordance with corresponding sections of ANSI C136.37

- All internal components shall be assembled and pre-wired using modular electrical connections.
- Terminal blocks shall be used for incoming AC lines
- Latching and hinging

#### K. Manufacturer or local sales representative shall provide installation and troubleshooting support via telephone and/or email.

### 3.30 WARRANTY

Provide a minimum five-year warranty covering maintained integrity and functionality of the luminaire housing, wiring, and connections, LED light source(s) and LED driver. Negligible light output from more than 10 percent of the LED packages constitutes luminaire failure.

Warranty period shall begin after project acceptance by the Department.

### 3.40 CONSTRUCTION METHODS

Level and secure each luminaire in all directions. Securely terminate the wiring for each high mount luminaire and include an equipment grounding conductor to bond the housing to the supply cord grounding conductor.

Adjust any luminaires, as directed by the Engineer, to provide optimal illumination distribution.

All LED packages on all luminaires must be operating normally at contract completion. Any luminaire displaying improper operating characteristics prior to contract completion will be replaced by the Design-Build Team at no additional cost to the Department.

## 4.00 LIGHTING CONTROL SYSTEM

### 4.10 DESCRIPTION

The work covered under this section consists of furnishing and installing an entire control system, including enclosure, control panel, breakers, terminal blocks, wiring, conduits, lightning arrester, a concrete foundation, metal pole and galvanized slotted channel is also included.

The control system will be standard electrical components in a stainless steel enclosure mounted on a metal pole with a concrete foundation as shown in the contract.

### 4.20 MATERIALS

Refer to Division 10 of the 2018 *Standard Specifications for Roads and Structures*.

<b>Item</b>	<b>Section</b>
Conduit	1091-3
Portland Cement Concrete, Class A	1000-4
Wire and Cable	1091-2, 1400-2

Provide concrete foundations and wire in accordance with the 2018 *Standard Specifications for Roads and Structures*.

Use a piece of 4" rigid galvanized steel conduit (RGC), embedded in concrete as shown in the plans, for mounting the control system.

Provide a NEMA type 3R stainless steel enclosure with external stainless mounting flanges, drip shield, back panel and continuous hinge door with a print pocket. Provide a door closing mechanism interlocked with a flange mounted operator handle to prevent the opening of the door with the service circuit breaker in the ON position, except by use of safety override devices.

Provide an enclosure approximately 36" (h) x 30" (w) x 10" (d) unless noted otherwise in the plans. Provide only openings necessary for the entrance of conduits as shown in the plans. Do not use knockouts. Ensure the enclosure conforms with NEC Article 312 and mount the devices so the NEC clearances will be provided, except use 1.5" where not specified or noted in the tables for minimum wire bending space.

Use minimum 1-5/8" x 1-5/8" galvanized slotted steel framing channel with straps and bolts for the mounting brackets and hardware for attaching the enclosure. Use galvanized finish on the brackets and hardware and coat all field cuts or scratches with organic zinc repair paint.

Provide a neutral bar, bonded to the panel, with sufficient box lug type terminals to accept the required number of wires.

Mount components to the back panel with manufacturer supplied mounting brackets or permanently attached screw studs.

Use a service circuit breaker providing an minimum interrupting rating of 22,000 A. Provide thermal magnetic, molded case, permanent trip breakers. Provide multi-tap, solderless, load side box lugs or distribution terminal blocks of the appropriate size. Use insulating material approved for NEMA 3R applications. Provide a breaker with a voltage and amperage rating as indicated in the plans.

Use feeder circuit breakers which are rated 14,000 A minimum interrupting capacity and have an open type molded case with a non-adjustable thermal magnetic trip setting as noted in the plans.

Use a Type 1 surge protection device (SPD) meeting UL 1449 and UL 96A, designed to contain and arrest an arc of 20,000 A. Install the SPD on the load side of the service breaker.

Use terminals and lugs rated for the connection of the appropriate size copper conductors. All conductors shall be made of copper and neatly wrapped in bundles or run in plastic raceways.

Perform all galvanizing in accordance with Section 1076.

Provide a drawing to scale showing the location, brand and catalog number of each component of the control system for approval. The completed light control system shall be marked "Suitable for Use as Service Equipment", in a prominent location in the enclosure, in accordance with NEC Article 409.110. If the control system is not made in a certified UL 60947-4-1A Panel Shop, a third party, recognized by the Department of Insurance as having the authority, shall label the control systems.

#### 4.30 CONSTRUCTION METHODS

Construct the new control system foundation at the new location as shown in Standard Drawing 1408 of the Roadway Standard Drawings, with the top of the foundation 3 inches above finished grade.

Fasten the enclosure to the pole by means of a galvanized bracket assembly as shown in the plans. Make all cuts square and remove all rough edges. Have mounting holes match existing mounting holes of the enclosure.

Arrange all conduits entering the enclosure in a neat symmetrical manner and extend directly downward into the foundation. Install six RGC feeder circuit conduits as shown in the Roadway Standard Drawings.

Install a Control System Junction Box as shown in the plans. Stub all feeder circuit conduits and spare conduits from Control System in the Control System Junction Box. See Section 1412 of the 2018 *Standard Specifications for Roads and Structures* for junction box construction methods. See plans for conduit sizes. Place pull cord in any unused conduits and cap unused conduit in junction box.



To prevent the creation of electrically parallel paths, install a bonded conduit choke on the underground termination point of the system grounding conductor conduit in accordance with NEC Article 250.64(E). Do not terminate the system grounding conduit under the concrete foundation pad.

Install a grounding electrode system consisting of a minimum of two ground rods spaced not less than 6 feet apart at all new lighting control system panels. Connect ground rods with an appropriately sized bonding jumper.

Apply two coats of organic zinc repair paint to all field cut metal and conduit threads as specified in Article 1076-7 of the 2018 *Standard Specifications for Roads and Structures*.

Install a 4" to 2" galvanized reducing bushing to the top of the 4" RGC the control system enclosure is mounted to. Install a 10' section of 2" RGC on the reducing bushing and install a cap on the top of the 2" RGC.

## **5.00 COMMUNICATION GATEWAY**

### **5.10 DESCRIPTION**

The Design-Build Team shall provide and install a communication gateway at the lighting control panels noted on the plans. The communication gateway will be used to provide communication from the control nodes on the luminaires to a centralized monitoring software package. The communication gateway will be mounted on a piece of rigid galvanized conduit installed above the lighting control panel.

### **5.20 MATERIAL**

The communication gateway shall be a GE LightGrid gateway rated for the voltage shown in the plans.

Use conduit and conductors as specified in Article 1400-2 of the 2018 *Standard Specifications for Roads and Structures*.

Provide stainless steel straps, galvanized conduit hangers, galvanized bolts, washers and nuts, and liquid-tight flexible metallic conduit (LFMC).

### **5.30 CONSTRUCTION METHODS**

Mount the communication gateway to the 2" RGC pole, installed as part of the control system special provision, using the bands included with the gateway. Remove an existing cable gland in the bottom of the gateway enclosure and replace with a ½" RGC fitting. Install ½" RGC and appurtenances required to route conduit to bottom of lighting control panel enclosure. Transition RGC to LFMC to make the turn into the bottom of the enclosure. Secure LFMC to bottom of enclosure using a weatherproof fitting. Install a bonding bushing on the LFMC fitting inside the enclosure and attach to bonding jumper inside the enclosure.

Strap standoffs with rigid conduit hangers to the 2" RGC and secure ½" conduit to the conduit hanger. Install #12 THWN conductors inside the ½" RGC for power from the gateway circuit breaker in the control system enclosure to the gateway. Use a UV resistant cable tie to secure the magnetic GPS antenna to the frame.

See Section 7.00 below for commissioning requirements.

## **6.00 CONTROL NODE**

### **6.10 DESCRIPTION**

The Design-Build Team shall provide and install a communication node with each LED luminaire on the project. The communication node will be used to interface with the Department's Statewide lighting control system.

### **6.20 MATERIALS**

The communication node shall be a GE LightGrid version 2.0 (or higher) node rated for the same service voltage as the luminaire. No other materials are required for this section.

### **6.30 CONSTRUCTION METHODS**

Install communication node on the seven-pin photocell receptacle of the luminaire. The communication node utilizes a twist-lock connection to ensure positive connection to the luminaire.

See Section 7.00 below for commissioning requirements.

## **7.00 SMART CONTROL SYSTEM INITIALIZATION AND COMMISSIONING**

### **7.10 DESCRIPTION**

The Communication Gateway(s) and Control Nodes as described in the prior sections require commissioning to enable communication with the existing Statewide lighting control system.

The Design-Build Team shall coordinate with Brady / Trane Services (Brady) at 919-232-5764 or [warranty.request@bradyservices.com](mailto:warranty.request@bradyservices.com) to have Brady commission the smart controls system, incorporate new gateways and smart nodes into the LightGrid infrastructure and troubleshoot communication issues. Brady shall bill the Design-Build Team directly for these services.

### **7.20 MATERIALS**

No materials are required for this section.

### 7.30 CONSTRUCTION METHODS

As part of this contract, the Design-Build Team shall provide new GE LightGrid gateways and control nodes. See Sections 5.00 and 6.00, respectfully, of this Project Special Provision for gateway and control node requirements.

As a function of the LightGrid system, the Design-Build Team is unable to turn the lights on for testing during the day. The luminaires installed as part of this project are powered 24 / 7; however, the control node installed on each luminaire has an integral photocontrol, preventing the luminaire from operating during daylight hours.

The Design-Build Team shall notify Brady at least two weeks prior to beginning the construction work. Brady will remotely commission the new LightGrid system, override the internal control node photocontrol and turn all of the control nodes on for 24 / 7 operation for the duration of the lighting construction. This will allow the Design-Build Team to turn the lighting circuits on and off during the day via the breakers in the lighting control panel.

The Design-Build Team shall notify Brady again when lighting work is complete. At that point Brady will remotely confirm that there is communication between the control nodes and the gateway, and will place the system to normal dusk to dawn operation.

In the event that a communication failure of some, or all, smart nodes or the gateway is encountered, the Design-Build Team shall coordinate with Brady to troubleshoot and resolve the failure.

## **8.00 REPLACE LUMINAIRES**

### **8.10 DESCRIPTION**

The work covered in this section involves removing existing high pressure sodium luminaires on 45-foot single arm light standards and pendant mount (PM) underpass lights mounted to the I-40 bridge over US 21 and installing new LED luminaires.

### **8.20 MATERIALS**

Provide light standard luminaires as detailed in Section 2.00 of these Project Special Provisions.

Provide GE LightGrid nodes as detailed in Section 6.00 of these Project Special Provisions.

Provide Type PM luminaires that are a pendant mounted assembly of driver, optical and mounting components, including a safety chain and hanging hardware. Provide a die-cast aluminum driver housing with gray paint finish, with a prewired driver assembly and an electrical receptacle for attachment of hanging hardware. Provide sealed, directional LED light engines covered by a glass refractor. Type PM luminaires shall provide a distribution of Type 5 - Medium, shall have a maximum power consumption of 70 watts, and shall have a minimum maintained lumen output of 6,000 lumens at 70,000 hours.

### 8.30 CONSTRUCTION METHODS

Remove existing high pressure sodium luminaires from single arm light standards and dispose of in accordance with the North Carolina Department of Environmental Quality guidelines for hazardous waste disposal. Replace single arm luminaires with the appropriate luminaires shown in the plans, and detailed in these Project Special Provisions and the 2018 Standard Drawings. Install GE LightGrid node on luminaire.

Remove existing high pressure sodium luminaires PM luminaires from the I-40 structure over US 21 and dispose of in accordance with the North Carolina Department of Environmental Quality guidelines for hazardous waste disposal. Mount new luminaires to the existing  $\frac{3}{4}$ " rigid galvanized conduit. Should new luminaires hang below the bottom of the bridge girder, the Design-Build Team shall modify the length of the  $\frac{3}{4}$ " conduit such that the bottom of the luminaire is flush with the bottom of the girder. Trim or replace the conductor in the  $\frac{3}{4}$ " conduit, as appropriate, to facilitate connection to the new luminaire. Splicing of conductor inside the conduit shall be prohibited.

## 9.00 RECONFIGURE EXISTING LIGHTING CONTROL PANEL

### 9.10 DESCRIPTION

The work covered in this section involves reconfiguring an existing lighting control panel to work with the GE LightGrid monitoring system.

### 9.20 MATERIALS

Provide a GE LightGrid Communication Gateway as detailed in Section 5.00 of these Project Special Provisions.

Provide rigid galvanized conduit in accordance with Section 1091-3 of the 2018 *Standard Specifications for Roads and Structures*.

### 9.30 CONSTRUCTION METHODS

The Design-Build Team shall reconfigure the existing lighting control panel at the US 21 interchange to properly work with the GE LightGrid controls system.

Remove the existing contactors, relays, Hand-Off-Auto switch, photocell and photocell receptacle and associated control wiring.

All breakers in the control panel shall be retained.

Reconfigure the control panel wiring as shown in the schematic drawing in the plans. Reuse the control circuit breaker as the gateway circuit breaker.

Remove the existing cap on the 4" RGC post that the lighting control panel is mounted to. Install a 4" to 2" galvanized reducing bushing to the top of the 4" RGC post. Install a 10-foot section of 2" RGC on the reducing bushing and install a cap on the top of the 2" RGC.

## **10.00 UPL DISCONNECT FOR LIGHTGRID INTEGRATION**

### **10.10 DESCRIPTION**

The work covered under this section involves reconfiguring an existing underpass lighting disconnect panel to work with the GE LightGrid monitoring system. As currently configured, when the lighting control panel is converted to work with the GE LightGrid system per Section 9.00 of these Project Special Provisions, the underpass lights will not have a means of turning off and will burn constantly.

### **10.20 MATERIALS**

Provide a photocontrol receptacle similar to the type used on the lighting control panel.

Provide a GE LightGrid Communication Gateway as detailed in Section 5.00 of these Project Special Provisions.

### **10.30 CONSTRUCTION METHODS**

The Design-Build Team shall reconfigure the existing underpass lighting disconnect panel at the I-40 / US 21 interchange to work with the GE LightGrid control system. This reconfiguration involves adding a seven pin photocontrol receptacle with a GE LightGrid smart node and rewiring the inside of the disconnect panel so that the underpass lights will run through, and be controlled by, the GE LightGrid node.

Install the photocontrol receptacle either directly to the disconnect panel, or use a standoff bracket. If a standoff bracket is used, the conductor from the photocontrol receptacle to the disconnect panel shall be enclosed and secured in rigid galvanized conduit.

The Design-Build Team shall integrate the GE LightGrid smart node with the existing Statewide lighting control system as described in Section 7.00 above.

## **HIGH VISIBILITY TRAFFIC CONTROL DEVICES**

(7/16/2018)

### **Description**

In accordance with this RFP, the Design-Build Team shall furnish and install High Visibility devices for projects on Interstates and Freeways with durations of 24 months or more. High Visibility devices include drums, stationary work zone signs and portable work zone signs. All of these devices shall be new. Used devices are not acceptable.

The purpose of High Visibility devices is to enhance the conspicuity of the devices in order to improve both safety and mobility through the Interstate and Freeway work zones. In addition, using new devices help to ensure they remain in compliance with required retroreflective properties for the full life of the project and to improve the overall appearance of Significant Work Zones throughout the State.

## **Materials**

### **A) General**

Use materials in accordance with the Manufacturer's recommendations that will retain both durability and retroreflectivity as described elsewhere in this project special provision for a period of at least 36 months.

The following are required High Visibility devices to be used for Work Zone Performance applications.

- Drums (Type XI fluorescent orange sheeting)
- Stationary Work Zone Signs
- Rigid Portable Work Zone Signs

All drums shall be new and meet the existing requirements of Section 1089-5 of the 2018 *Standard Specifications for Roads and Structures* and shall have Type XI fluorescent orange sheeting that meets the retroreflective requirements of Section 1092-2 of the 2018 *Standard Specifications for Roads and Structures*.

All stationary work zone signs shall be new and meet the existing requirements of Section 1089-1 of the 2018 *Standard Specifications for Roads and Structures*. Legend overlays are prohibited and shall not be accepted on the Interstate/Freeway or associated intersecting roadways.

All portable work zone signs shall be new and have composite substrates as described in Section 1089-1 of the 2018 *Standard Specifications for Roads and Structures*. The remainder of the existing requirements of Section 1089-1 of the 2018 *Standard Specifications for Roads and Structures* remain. Used sign stands are acceptable.

### **B) Material Qualifications / Certifications**

Only use materials as listed above that are on the NCDOT Approved Products List. In addition, provide a Type 3 Material Certification for all materials in accordance with Section 106-3 and Section 1087-4 of the 2018 *Standard Specifications for Roads and Structures*.

### (C) Performance

Poor performance of any device or sign at any site, whether or not related to a specific contract may be grounds for removing the material from the NCDOT Approved Products List and / or removing from any project under contract.

### **Construction Methods**

All requirements of Section 1110-3 and Section 1130-3 of the 2018 NCDOT *Standard Specifications for Roads and Structures* shall apply except roll up signs are not permitted for use. The use of skinny drums are prohibited for any nighttime lane closures on Interstates and Freeways.

### **Maintenance**

Replace any sign or drum that prematurely fails due to any damage or defect that causes it to perform unsatisfactorily with an “in kind” device of similar quality and age according to the guidelines set forth in the American Traffic Safety Service Association’s (ATSSA) Quality Guidelines for Work Zone Traffic Control Devices. An “in kind” replacement sign or drum is not required to be new, however, it shall be less than 1 year old and have 100% of its original sheeting area and at least 85% of the retroreflective qualities of a new device, so that it is undetectable adjacent to the original devices and signs placed on the project.

### **WORK ZONE PERFORMANCE PAVEMENT MARKINGS**

(06/04/2015)

#### **Description**

The Design-Build Team shall furnish and install Work Zone “Performance” pavement markings that delineate the travel way for work zone traffic patterns on I-40, I-77, US Routes, and NC Routes, including all collector distributor roads, ramps and loops. The purpose of Work Zone “Performance” pavement marking is to provide a more durable work zone pavement marking that shall last the full duration of a traffic pattern without requiring replacement or reapplication for a period of up to 12 months. The Work Zone “Performance” pavement markings shall also provide a higher performance level, for both initial and residual retroreflectivity, than standard traffic paints to improve nighttime work zone visibility.

#### **Materials**

##### **a) General**

Use materials in accordance with the manufacturer’s recommendations that shall retain both durability and a minimum retroreflectivity, as described elsewhere in this RFP, for a period of at least 12 months.

On concrete pavement, the Design-Build Team shall provide black contrast “Performance” pavement markings that contrast the white skip lines along through

lanes and ramp lanes. The black contrast “Performance” pavement markings shall immediately follow the white skip line at the same width and half the length, or border the long edges of the white skip line at a width of 1.5”. Black contrast “Performance” pavement marking shall be matt and non-retroreflective.

The Work Zone “Performance” pavement markings shall be manufactured to bond successfully to both concrete and asphalt pavements. The pavement marking materials shall be applied in a single application. The following are approved materials to be used for Work Zone “Performance” pavement markings:

- Polyurea
- Thermoplastic (Extruded and Sprayed)
- Epoxy
- Polymer (Single System)
- Cold Applied Plastic Type 4

When using Cold Applied Plastic Type 4 pavement markings, place temporary raised markers half on and half off edge lines and centerlines to help secure the tape to the roadway. Markers shall be spaced the appropriate distance apart as described by the 2018 Roadway Standard Drawing No. 1250.01, Sheet 1 of 3.

#### **b) Material Qualifications / Certifications**

The Design-Build Team shall only use Work Zone “Performance” pavement marking materials, as listed above, that are on the NCDOT Approved Products List at the time of installation. In accordance with Article 106-3, and Section 1087-4 of the NCDOT *Standard Specifications for Roads and Structures*, the Design-Build Team shall provide a Type 3 Material Certification for all materials, and a Type 3 and Type 4 certification for all reflective media.

### **Construction Methods**

The Design-Build Team shall not use hand applied methods or any other non-truck mounted application equipment / device to install Work Zone “Performance” pavement markings for applications longer than 1,000 feet.

All Work Zone “Performance” pavement markings shall be installed in a single application.

#### **a) Testing Procedures.**

All Work Zone “Performance” pavement markings shall be tested by the Department through an independent Mobile Retroreflective Contractor. The Work Zone “Performance” pavement markings will be scanned to ensure the retroreflectivity requirements in Section c below are met.



**b) Application Equipment**

Application equipment shall be in accordance with Section 1205 of the NCDOT *Standard Specifications for Roads and Structures*.

**c) Material Application**

The Work Zone “Performance” pavement marking material shall be applied at the following minimum thicknesses:

- Polyurea = 20 mils wet
- Epoxy = 20 mils wet
- Thermoplastic (Extruded or Sprayed) = 50 mils wet
- Polymer = 20 mils wet
- Cold Applied Plastic (IV) = Manufacturer’s recommendation

The Work Zone “Performance” pavement marking line widths shall be as follows:

- Edge lines, Solid Lane Lines, Skip and Mini-Skip Lines = 6”
- Gorelines = 12”

“No track” dry times for the liquid systems shall be ten minutes or shorter. Traffic shall not be placed on any material until it is sufficiently dry / cured to eliminate wheel tracking.

The minimum level of retroreflectivity for all Work Zone “Performance” pavement marking system selected shall be as follows:

**Reflectometer Requirements for Work Zone “Performance” Pavement Markings**

<b>Color</b>	<b>Initial</b>	<b>6 Months</b>	<b>12 Months</b>
White	375 mcd/lux/m2	275 mcd/lux/m2	150 mcd/lux/m2
Yellow	250 mcd/lux/m2	150 mcd/lux/m2	100 mcd/lux/m2

For the durations noted in the chart above, the Work Zone “Performance” pavement markings shall adhere to the corresponding retroreflectivity levels.

The Design-Build Team shall notify the Engineer, in writing, a minimum of 7 - 10 days prior to the installation of Work Zone “Performance” pavement markings. The Department will measure initial retroreflectivity levels with a mobile retroreflector within 30 days after placement to ensure compliance with the reflectivity levels in the chart above.

Work Zone “Performance” pavement markings shall maintain the retroreflectivity levels for the durations noted above. If the markings appear to be non-performing,

in the Engineer's sole discretion, the Engineer may request additional retroreflectivity readings to be performed by the Department. If and when this becomes necessary, the same notification procedure as described above shall be used to have Work Zone "Performance" pavement markings measured by a Mobile Retroreflective Contractor.

If measured and found to be noncompliant, the Design-Build Team shall replace the Work Zone "Performance" pavement markings at no cost to the Department.

All Work Zone "Performance" pavement markings shall be durable enough to withstand a single snow event without showing excessive fatigue in either bonding or retroreflectivity. The Design-Build Team shall replace the Work Zone "Performance" pavement markings if a single snowplow event results in more than 25% of the pavement marking edgelines or skips being physically removed and / or the Work Zone "Performance" pavement markings do not meet the following minimum retroreflectivity values:

**Reflectometer Requirements for Work Zone "Performance" Pavement Markings after a Single Snowplowed Event**

Color	MINIMUM
White	150 mcd/lux/m <sup>2</sup>
Yellow	100 mcd/lux/m <sup>2</sup>

Unless the temporary traffic pattern is to be modified within 30 days, the Design-Build Team shall replace all non-compliant Work Zone "Performance" pavement markings within 30 days of determining they are non-compliant.

If the work zone experiences more than one snow event requiring snowplowing, the retroreflectivity values in the chart above will no longer apply. The Engineer will determine if the pavement markings are performing adequately and / or if replacement is necessary due to excessive damage caused solely by snowplow activities. If the Work Zone "Performance" pavement markings are found to be deficient, solely in the Engineer's discretion, they shall be replaced. In such case, the Work Zone "Performance" pavement markings will be paid for as extra work in accordance with Subarticle 104-8-(A) of the NCDOT *Standard Specifications for Roads and Structures* at the unit price of \$0.40 per linear foot. Unless the temporary traffic pattern is to be modified within 30 days, the Design-Build Team shall replace all Work Zone "Performance" pavement markings damaged due to multiple snowplow events within 30 days.

If the Work Zone "Performance" pavement markings need to remain in place longer than 12 months, the markings shall be scanned by a Mobile Retroreflective Contractor. If the Work Zone "Performance" pavement markings meet or exceed the 12-month retroreflectivity requirements noted above, the markings can remain in place. If the Work Zone "Performance" pavement markings do not meet or

exceed the 12-month retroreflectivity requirements noted above, the Design-Build Team shall replace the Work Zone “Performance” pavement markings within 15 days of the 12-month duration date at no cost to the Department. If and when this becomes necessary, the same notification procedure as described above shall be used to have Work Zone “Performance” pavement markings measured by a Mobile Retroreflective Contractor.

#### **d) Surface Preparation**

Prior to installation, all pavement surfaces to receive Work Zone “Performance” pavement markings shall be swept clean and prepared in accordance with the Manufacturer’s recommendation.

#### **e) Temperature and Weather Limitations**

Work Zone “Performance” pavement markings shall only be applied when the ambient air temperature and the pavement temperature are 50° F or higher for thermoplastic and are 40° F or higher for all other materials. The Design-Build Team shall not install Work Zone “Performance” pavement markings unless the pavement surface is completely dry. The Design-Build Team shall not install Work Zone “Performance” pavement markings within four hours of a heavy rain event, (rainfall intensities equal to or greater than 1 inch /per hour).

In the event a traffic shift must occur when the air and / or pavement temperatures are below the aforementioned minimums and / or a rain event occurs four hours prior to or during a planned traffic shift, the Design-Build Team may install temporary pavement marking paint, at the Engineer’s sole discretion. Temporary pavement marking paint shall be applied in one application and shall produce a four-inch wide line at 15 mils (wet). Beads that provide the following minimum retroreflectivity shall be applied to the temporary pavement marking paint:

White:	225 mcd / lux / m <sup>2</sup>
Yellow:	200 mcd / lux / m <sup>2</sup>

The temporary pavement marking paint with beads shall maintain the minimum retroreflectivity noted above until placement of the Work Zone “Performance” pavement markings

The Design-Build Team shall replace / reapply temporary pavement marking paint with beads that does not adhere to the retroreflectivity requirements noted above at no cost to the Department. The Design-Build Team shall apply the Work Zone “Performance” pavement markings within 90 days of installing the temporary pavement marking paint with beads.

Excluding damage due solely to snowplow events, the Design-Build Team shall replace all Work Zone “Performance” pavement material that debonds and / or does

not adhere to the retroreflectivity levels for the corresponding durations noted above at no cost to the Department.

## **WORK ZONE TRAFFIC “PATTERN MASKING”**

(8-25-15) (Rev. 4-12-18)

### **Description**

In accordance with this RFP, the Design-Build Team shall furnish and install Work Zone Traffic “Pattern Masking” material for placement on existing asphalt pavements during work zone operations. The Work Zone Traffic “Pattern Masking” material shall be black in color and used during temporary traffic patterns to completely cover the entire pavement surface; thus masking / concealing the existing pavement markings and allowing the revised work zone pavement markings to be placed on a newly applied black surface. The purpose of the Work Zone Traffic “Pattern Masking” is to eliminate the grind marks and “ghost markings” on pavement surfaces which can create motorist confusion and pavement damage while providing an incomparable contrast between the revitalized black pavement color and newly applied pavement markings for work zone patterns of up to a year.

### **Materials**

#### **A) General**

Use materials in accordance with the Manufacturer’s recommendations that shall retain a black color for a period of at least 12 months. The black material shall be a flat black color when fully cured and shall completely mask / conceal the existing pavement markings for the same minimum 12-month period.

The black material shall not exhibit glare or retroreflectance in either day or night conditions. To ensure the black material provides ample concealment and does not exhibit excessive glare, the material opaqueness shall be a minimum of 95% and the retroreflective properties shall not exceed 4 mcd/lux/m<sup>2</sup>.

The black material shall not adversely affect the ability of the pavement to drain water or make the pavement adversely slick in either dry or wet conditions. The black material shall adhere to the skid properties as described in Section (C) below.

The black material shall not contain any petroleum components or any Volatile Organic Compounds (VOC’s).

The black material shall not exhibit excessive cracking or create excessive cracking to the pavement surface after placement.

The black material shall be manufactured to bond successfully to asphalt pavements. The black material shall allow resurfacing treatments to be applied directly over its surface without having to be removed to obtain successful bonding of the new asphalt overlays.

The black material shall be manufactured to receive any type of polyurea, epoxy, polymer, cold applied plastic, and / or thermoplastic pavement marking materials.

### **B) Material Qualifications / Certifications**

The Design-Build Team shall only use Work Zone Traffic “Pattern Masking” materials that are on the NCDOT Approved Products List. In accordance with Article 106-3 of the 2018 NCDOT *Standard Specifications for Roads and Structures*, the Design-Build Team shall 1) provide a Type 3 (Manufacturers) Certification that ensures the black material meets or exceeds the requirements in this provision and 2) provide a Type 5 (Typical Certified Test Report) Certification that ensures the black material has been tested by an independent testing company to verify that the braking / skid requirements, as described in Section (C) below, are met or exceeded.

### **C) Performance**

In accordance with the ASTM E274 or ASTM E303-93 test standards (2008), the Design-Build Team shall provide independent testing laboratory results on the Work Zone Traffic “Pattern Masking” material skid properties.

The black material shall provide the minimum frictional resistance numbers noted below when tested with either test standard:

- The minimum average Skid Number (SN) for ASTM E274 shall be 37.
- The minimum average British Pendulum Number (BPN) for ASTM E303-93 (2008) shall be 37.

At any time the black material fails to adequately keep underlying existing pavement markings concealed, in the Department’s sole discretion, the Design-Build Team shall immediately replace the section of the material required to conceal the pavement markings. The work zone travel lane shall retain its black distinguishable appearance throughout the life of the temporary traffic pattern. Normal wearing is expected in the travel lane wheel paths, but the work zone travel lanes shall always have a noticeable black appearance during the minimum 12-month pattern masking life. The Design-Build Team shall replace any material that prematurely fails to keep the underlying existing pavement markings concealed or does not retain its black color contrast, in the Department’s sole discretion, for the required minimum 12-month duration.

If a temporary traffic pattern duration is longer than 12 months and the black material does not continue to meet the requirements herein, the Design-Build Team shall replace the material at no cost to the Department.

The Work Zone Pattern Masking material shall retain its black color and continue to conceal the pavement markings underneath after a single snowplow event within its 12-month expected life. If the work zone experiences more than 1 snowplowing event, the Engineer will determine if the Work Zone Pattern Masking is still performing adequately or if replacement is necessary due to excessive damage caused by snowplow activities. If the material is damaged to the point where

20% or more of the concealed pavement markings are revealed, it shall be replaced, at an 8" width to re-conceal the exposed pavement markings, and paid for as extra work in accordance with Subarticle 104-8-(A) of the NCDOT 2018 *Standard Specifications for Roads and Structures* at the unit price of \$0.50 per linear foot, unless the traffic pattern is to change within 30 days.

## **Construction Methods**

### **A) Application Equipment**

Except as allowed below, the equipment to apply Work Zone Traffic "Pattern Masking" material shall be truck mounted pneumatic or airless spray machines with suitable arrangement of atomizing nozzles and controls to assure complete and uniform coverage of the entire pavement surface with consistent thickness as required in this provision.

The Design-Build Team may only use hand applied manual application methods, or any other non-truck mounted application equipment or device, to install black material for applications shorter than 1,000 feet.

The application spray equipment shall be set up in such a manner to apply the Work Zone Traffic "Pattern Masking" material in spray pattern widths to ensure complete and uniform coverage of the entire travelway and to reduce the overlap from multiple passes. If the application equipment isn't equipped to spray a full 12-foot travel lane in a single pass, it shall be set-up to spray a minimum six-foot width. No more than two passes per travel lane will be allowed. A one inch overlap width shall be required when applying the material in widths less than the full width of a travel lane.

### **B) Material Application**

Regardless of the temporary pattern / traffic shift width, the Work Zone Traffic "Pattern Masking" material shall be applied to the full width and length of the pavement surface. Specifically, throughout the limits of the traffic pattern / traffic shift changes, the Work Zone Traffic "Pattern Masking" material shall mask / conceal the existing pavement markings and provide a new black uniform surface for the placement of the revised pavement markings.

The masking / concealment of individual pavement marking edge lines, skips, mini skips, lane lines or gore lines shall be prohibited.

The Work Zone Traffic "Pattern Masking" material shall be applied at a uniform thickness of 20 mils directly onto the existing pavement.

The Work Zone Traffic "Pattern Masking" material shall be set and / or cured in order to receive pavement markings within 10 minutes of installation according to the temperature requirements stated elsewhere in this provision.

### **C) Surface Preparation**

- **Asphalt** - The existing pavement surface shall be swept clean and prepared in accordance with the Manufacturer's recommendations to receive the Work Zone Traffic "Pattern Masking" material. Although, no existing pavement marking line removal is required, any loose, flaking or other laitance material from existing markings shall be machine broomed or scarified as directed by the Manufacturer before placing the Work Zone Traffic "Pattern Masking" material.

#### **NOTES:**

- **Work Zone Traffic "Pattern Masking" Material shall not be placed on concrete pavements without overlays and / or concrete bridge decks.**
- **The conflicting pavement marking lines shall be removed by water blasting methods only.**

### **D) Temperature and Weather Limitations**

Work Zone Traffic "Pattern Masking" material shall not be applied unless the ambient air temperature and the pavement temperature is 40° F or higher. Do not install Work Zone Traffic "Pattern Masking" material unless the pavement surface is completely dry. Do not install Work Zone Traffic "Pattern Masking" material within four hours of a significant rain event such as a thunderstorm with rainfall intensities equal to or greater than 1 inch / per hour. Always follow the Manufacturer's recommendations for placement during periods of excessive humidity.

### **E) Maintenance**

There should be no required maintenance of the Work Zone Traffic "Pattern Masking" material. The Design-Build Team shall replace any Work Zone Traffic "Pattern Masking" material that prematurely fails to keep pavement markings masked / concealed and / or retain its black color, in the Department's sole discretion, for the full minimum 12-month duration. Any traffic control and / or material costs due to replacement shall be at no cost to the Department.

### **BLACK EPOXY PAVEMENT MARKING MATERIAL**

(1-26-17)

#### **Description**

This work shall consist of applying black epoxy pavement marking material on concrete.

## Epoxy Pavement Marking Material

### (A) Formulation

Use epoxy pavement marking material consisting of 100% solid two-part system formulated and designed to provide a simple volumetric mixing ratio of the two components.

### (B) Epoxide Value: ASTM D1652

WPE of the epoxy resin shall be  $250 \pm 50$  for both white and yellow component A on a pigment free basis.

### (C) Amine Value ASTM D2074

The total amine value of the curing agent (component B) shall be  $450 \pm 50$

### (D) Requirements

#### (1) Color

Black: Shall meet ASTM standard

#### (2) Hardness: ASTM D2240

Minimum Shore D hardness: 80

#### (3) Abrasion Resistance: ASTM C-501

Minimum wear index of catalyzed sample: 80

#### (4) Adhesion to Concrete: ASTM D4541

At 100% concrete failure: greater than 325 psi

#### (5) Tensile Strength: ASTM D638

Minimum average tensile strength: 6000 psi

#### (6) Compressive Strength: ASTM D695

Minimum compressive strength: 12000 psi

#### (7) Drying Time: ASTM D711

Maximum drying time at  $75 \pm 2^\circ\text{F}$ : 10 minutes



(8) Gel Time: ASTM D2471

Maximum gel time: 3 minutes

(E) Material Certification: Type 3 Material Certification and Type 4 Material Certification

### **Construction Methods**

Epoxy Pavement Marking Material shall conform to the requirements of Section 1205 of the 2018 *Standard Specifications for Roads and Structures*.

#### **(A) Application Equipment**

Use epoxy application equipment, which is equipped with or capable of the following:

Precisely metering the two components in the ratio of proportion recommended by the manufacturer.

Producing the required amount of heat at the mixing head and gun tip.

Maintaining temperatures within the tolerances recommended.

Gauges for each proportioning pump so that any pressure difference can be easily monitored.

A minimum 24" long static mixer unit for proper mixing of the two components of the epoxy marking material.

Each component of the epoxy pavement marking shall be in a homogeneous state prior to mixing,

Have the capability to totally mix component A with component B immediately prior to the marking application.

Have the capability to spray pavement marking material and have the equipment mounted on a truck of sufficient size and stability with an adequate power source to produce uniform lines of the specified dimension.

A metering device to register the accumulated installed footage for each gun

#### **(B) Weather Limitations**

Apply epoxy pavement marking only when the ambient air temperature and the pavement surface temperature is a minimum of 35° F and rising.

**(C) Application**

Produce epoxy pavement marking lines that have a minimum dry thickness of 15 mils when placed on concrete pavements and 20 mils when placed on asphalt pavements.

Use **Type I** epoxy material (fast dry) for epoxy pavement markings except when otherwise specified in the contract documents.

**Type II** epoxy material may be used with lane closures as approved by the Engineer to allow for curing time.

Do not place epoxy markings on fresh asphalt pavements until 15 days have elapsed after the last asphalt layer is placed.

Using the epoxy application equipment, apply the pavement marking materials simultaneously. Hot-spray the epoxy resin, mixed in accordance with the manufacturer's recommendations, onto the pavement surface within an application temperature range recommended by the manufacturer. Inject retroreflective glass beads into the molten (liquid) Epoxy Marking.

Individual Components: Before mixing, heat the individual components to within the temperature range of 100° F to 170° F. Do not exceed the upper limit of the manufacturer's recommended heating temperature at any time under any circumstances.

Mixed Material: After mixing, ensure that the application temperatures for the combined materials at the gun tip are within the temperature range recommended by the manufacturer for the particular product used.

Produce marking, which upon cooling, has the ability to resist deformation caused by traffic throughout its entire length.

**(D) Observation Period**

Epoxy pavement markings shall be subject to a 30-day observation period.

Maintain responsibility for the pavement markings for a 30-day observation period beginning upon the satisfactory completion of all work required in the plans developed by the Design-Build Team. Guarantee the markings under the payment and performance bond in accordance with Article 105-17 of the *Standard Specifications for Roads and Structures*.

Have traffic operating on the facility during the entire 30-day observation period unless otherwise directed.

Provide pavement marking material, which during the 30-day observation period, shows no signs of failure due to blistering, excessive cracking, chipping, bleeding, staining,

discoloration, oil content of the pavement materials, smearing or spreading under heat, deterioration due to contact with grease deposits, oil, diesel fuel, or gasoline drippings, spilling, poor adhesion to the pavement materials, vehicular damage, debonding and normal wear.

Replace, at no additional expense to the Department, any pavement markings that do not perform satisfactorily under traffic during the 30-day observation period.

## **SEQUENTIAL FLASHING WARNING LIGHTS**

(10/08/2016)

### **Description**

In accordance with this RFP, the Design-Build Team shall furnish and install Sequential Flashing Warning Lights on drums used for merging tapers during nightly work activities on interstates and freeways with speed limits greater than 55 MPH and or facilities that have significant traffic volumes.

The purpose of these lights is to assist the motorist in determining which direction to merge when approaching a lane closure. It's also designed to reduce the number of late merges resulting in devices being struck and having to be reset to maintain positive guidance at the merge point. The successive flashing of the lights shall occur from the upstream end of the merging taper to the downstream end of the merging taper in order to identify the desired vehicle path.

### **Materials**

The Sequential Flashing Warning Lights shall meet all of the requirements for warning lights within the current edition of the Manual of Uniform Traffic Control Devices (MUTCD).

Each light unit shall be capable of operating fully and continuously for a minimum of 200 hours when equipped with a standard battery set.

Each light in the sequence shall be flashed at a rate of not less than 55 times per minute and not more than 75 times per minute. The flash rate and flash duration shall be consistent throughout the sequence.

Supply a Type 3 Certification (Independent Test Lab results) documenting all actual test results for the specified parameters contained in the Institute of Transportation Engineer's (ITE's) *Purchase Specification for Flashing and Steady Burn Warning Lights*. The laboratory shall also identify all manufacturer codes and part numbers for the incandescent lamp or LED clusters, lenses, battery, and circuitry, and the total width of the light with the battery in place. The complete assembly shall be certified as crashworthy when firmly affixed to the channelizing device.

All Sequential Flashing Warning Lights shall be on the NCDOT Work Zone Traffic Control Approved Products List.

**Construction Methods**

Sequential Flashing Warning Lights are to be used for night time lane closures.

These lights shall flash sequentially beginning with the first light and continuing until the final light.

The Sequential Flashing Warning Lights shall automatically flash in sequence when placed on the drums that form the merging taper.

The number of lights used in the drum taper shall equal the number of drums used in the taper.

Drums are the only channelizing device allowed to mount sequential flashing warning lights.

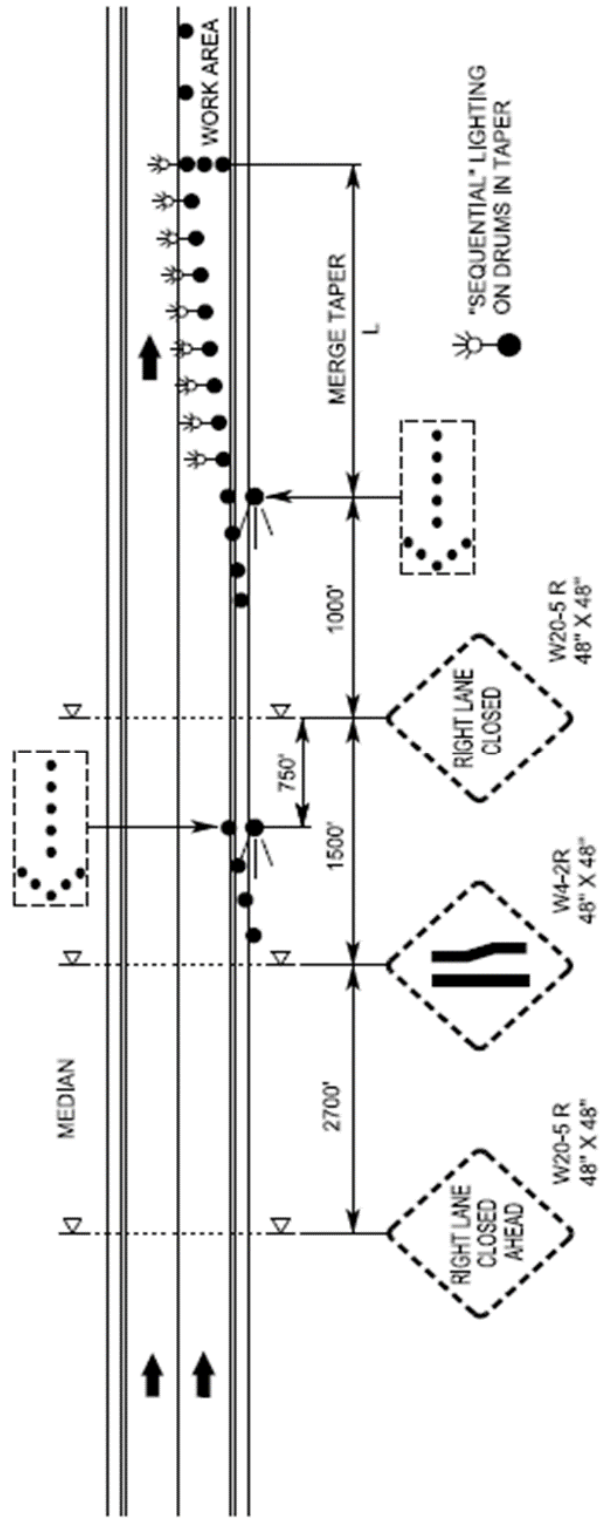
The Sequential Flashing Warning Lights shall be weather independent and visual obstructions shall not interfere with the operation of the lights.

The Sequential Flashing Warning Lights shall automatically sequence when placed in line in an open area with a distance between lights of 10 to 100 feet. A 10 foot stagger in the line of lights shall have no adverse effect on the operation of the lights.

If one light fails, the flashing sequence shall continue. If more than 1 light fails, all of the lights are to be automatically turned to the “off” mode. Non-sequential flashing is prohibited.

When lane closures are not in effect, the Sequential Flashing Warning Lights shall be deactivated.

SEQUENTIAL FLASHING WARNING LIGHTS



**WORK ZONE PRESENCE LIGHTING**

(10/08/16)

**DESCRIPTION**

In accordance with this RFP, the Design-Build Team shall furnish and install Work Zone Presence Lighting to supplement the Design-Build Team's construction / task (Portable Construction Lighting) and equipment lighting during nightly work activities on high speed (greater than 55 mph) facilities and/or facilities that have significant traffic volumes and impacts. The purpose of Work Zone Presence Lighting is to alert the motorist to the existence of an active work zone, improve worker visibility, and to assist in compliance of the work zone speed limit by providing lighting throughout the length of the lane closure.

**MATERIALS**

Anti-glare lighting systems are required. Work Zone Presence Lighting shall be in addition to the Design-Build Team's Portable Construction Lighting. Work Zone Presence Lighting shall be installed in accordance with the detail below and the manufacturer's recommendations.

All Work Zone Presence Lighting shall be supplied with a power source to provide the light output as described in the chart below.

Each light unit shall be capable of providing a minimum of 14,000 lumens illuminating a minimum area of approximately 3,000 square feet. The light shall be capable of being elevated to a height of 14 feet above the pavement.

Each light unit support base or mounting stand shall have the capability of being leveled.

Provide Work Zone Presence Lighting listed on the NCDOT APL.

**CONSTRUCTION METHODS**

The purpose of Work Zone Presence Lighting is to illuminate areas of the lane closure where construction / task lights are not located. Typical use is during lane closures for resurfacing and milling operations in locations where the pavement is being prepped for paving or milling, as well as where these operations have passed through that involve remaining work items such as rolling, coring / inspecting, shoulder and striping activities.

Immediately replace any lighting unit that is not operational.

**Installation Locations****1. Standard Lane Closure Lengths of Two miles or less**

Position #1: Initially, place the work zone presence lighting starting one mile downstream of the merge taper and continue until the end of the lane closure. See detail below - Position #1.

Position #2: Once paving operations progress to the point where the construction / task lighting has to be relocated to finish paving for the night, the Work Zone Presence Lighting shall be relocated to the beginning of the lane closure. See detail below - Position #2.

## **2. Lane Closures Exceeding Two Miles (Must be approved by the Engineer)**

Single Work Operations: If the lane closure is longer than two miles within a single work operation, begin installing the work zone presence lighting at the halfway point of the lane closure length and continue placing the lights until the end of the lane closure. Same procedure for relocation shall be followed as described above.

## **3. Multiple Work Operations Exceeding Two miles (Must be approved by the Engineer)**

If the lane closure is longer than two miles and two separate operations are working concurrently, treat as two separate locations. The Work Zone Presence Lights shall be installed at the halfway point in each operation. The lights in the 1<sup>st</sup> operation will end where the 2<sup>nd</sup> operation begins. The lights in the 2<sup>nd</sup> operation will terminate with the end of the lane closure. Same procedure for relocation shall be followed as described above.

### **Lighting Unit Installation Requirements**

The lighting units shall be installed inside the lane closure as shown on the detail below and spaced according to the chart below:

**SPACING CHART**

<b>Light Output (Lumens)</b>	<b>Illuminated Fixture Area-Minimum (Square Feet)</b>	<b>Maximum Spacing (Feet)</b>	<b>Light Units (Per Mile)</b>
14,000 to 35,000	4'	750'	7
35,001 to 60,000	5'	1,000'	5
Above 60,000	6' or greater	1,320	4

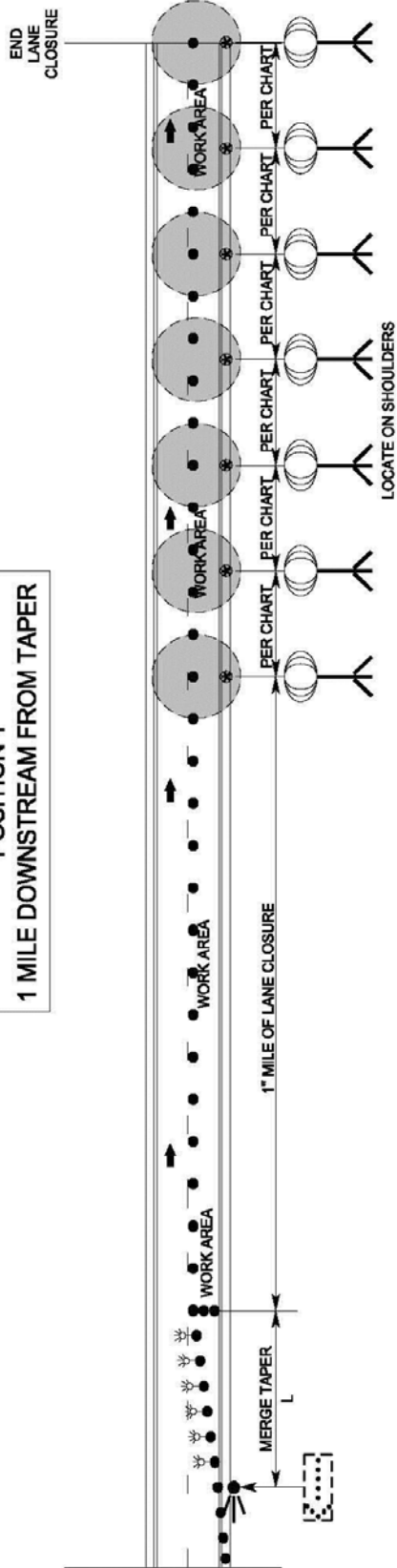
Whenever possible, each light unit shall be placed on a ten foot paved shoulder according to the above spacing based on the amount of light output for each unit.

Each light unit shall be installed and moved as necessary to allow for efficient paving operations to take place as well as to not interfere with the Design-Build Team's ability to light the work area. At no time shall Work Zone Presence Lighting be located in the same area as the Design-Build Team's construction / task lighting or conflict with his work operations.

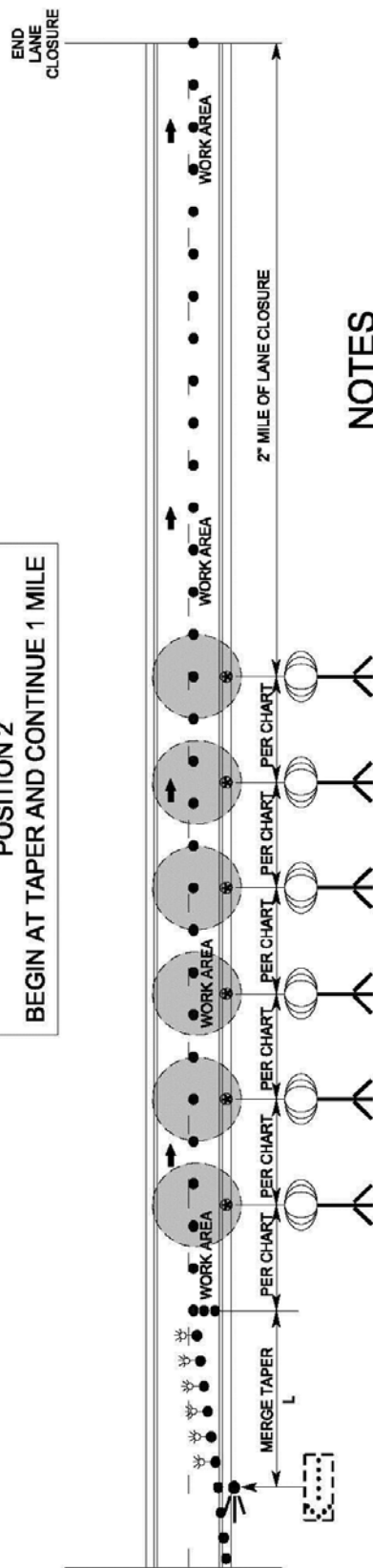
If the Design-Build Team provides sufficient construction / task lighting to meet the luminance requirements of Section 1413-3 of the *Standard Specifications for Roads and Structures* for the full length of the lane closure or if sufficient existing overhead lighting is present, Work Zone Presence Lighting may be eliminated as directed by the Engineer.

**SEQUENTIAL FLASHING WARNING LIGHTS AND WORK ZONE PRESENCE LIGHTING**

**POSITION 1  
1 MILE DOWNSTREAM FROM TAPER**



**POSITION 2  
BEGIN AT TAPER AND CONTINUE 1 MILE**



**NOTES**

- 1) WORK ZONE PRESENCE LIGHTING MAY BE OMITTED FOR THE ENTIRE LANE CLOSURE IF THE CONTRACTOR PROVIDES SUFFICIENT CONSTRUCTION TASK LIGHTING TO MEET THE LUMINANCE REQUIREMENTS OF SECTION 1413-3 FOR THE FULL LENGTH OF THE LANE CLOSURE. IF EXISTING OVERHEAD ROADWAY LIGHTING IS FUNCTIONAL AND EXTENDS FOR THE FULL LENGTH OF THE LANE CLOSURE, OR AS DIRECTED BY THE ENGINEER.
- 2) PLACE ON PAVED OUTSIDE SHOULDER IF POSSIBLE.
- 3) IF THE LANE CLOSURE IS LONGER THAN 2 MILES USE ADDITIONAL PRESENCE LIGHTING AT THE RECOMMENDED SPACING. BEGIN INSTALLING WORK ZONE PRESENCE LIGHTING AT THE HALFWAY POINT OF THE LANE CLOSURE LENGTH FOR POSITION 1. POSITION 2 WILL BE THE FIRST HALF OF THE LANE CLOSURE LENGTH.

**SPACING CHART**

LIGHT OUTPUT (LUMENS)	MINIMUM LIGHTED FIXTURE AREA (SQUARE FEET)	MAXIMUM SPACING (FEET)	MAXIMUM LIGHT UNITS (PER MILE)
14,000 TO 35,000	4	750	7
35,001 TO 60,000	5	1,000	5
ABOVE 60,000	6 AND GREATER	1,320	4



**WORK ZONE DIGITAL SPEED LIMIT SIGNS**

(10/08/2016)

**Description**

In accordance with this RFP, The Design-Build Team shall furnish and install Work Zone Digital Speed Limit Signs on interstates and freeways with speed limits greater than 55 mph and or facilities that have significant traffic volumes and impacts. These signs are regulatory speed limit signs with LED displays for the speed limit numbers. The purpose of Digital Speed Limit signs is to easily change work zone speed limits between activities that necessitate the need for a lower speed limit and the ones that do not.

**Materials**

Digital Speed Limit Signs shall be a minimum 36” wide x 48” high. The speed limit sign (R2-1) shall be black on white with high intensity white prismatic sheeting.

The Digital Speed Limit sign shall be mounted such that the bottom of the sign is 7’ above roadway.

The LED panel shall be a minimum of 18” wide x 28” high. The display on the LED panel shall be amber or white.

The LED numbers shall have a minimum 5 wide by 7 high pixel array with a minimum height of 18”.

The LED panel shall have auto brightness / dimming capability.

The black on orange “WORK ZONE” sign shall be mounted above the Speed Limit sign. It shall be 36” wide x 24” high with high intensity prismatic orange sheeting.

The black on white “\$250 FINE” sign shall be mounted below the Speed Limit sign. It shall be 36” wide x 24” high with high intensity prismatic white sheeting.

All digital speed limit systems shall have operational software and wireless communications that allows for remote operation and data monitoring. It shall be configured to allow access by the Engineer or his designee to change each sign independently or change the speed limit on all signs at once from a PC, tablet or cellular phone application.

Digital Speed Limit Signs may be trailer mounted or stationary mounted. The unit shall be Solar powered and have the ability to operate continuously. It shall be supplemented with a battery backup system which includes a 110/120 VAC powered on-board charging system.

The batteries, when fully charged; shall be capable of powering the display for 20 continuous days with no solar power. The unit shall be capable of being powered by standard 110/120 VAC power source.

Store the battery bank and charging system in a lockable, weather and vandal resistant box.

### **Optional Equipment / Capabilities**

Work Zone Digital Speed Limit systems may include speed data collection. If provided, this information shall be available in a spreadsheet format and accessed remotely from a secure cloud location.

The Work Zone Digital Speed Limit systems may have radar equipment to detect approaching speeds.

The Work Zone Digital Speed Limit systems may have flashing beacons. If used, the beacons are to be 12" diameter LED circular yellow. They may be mounted either above, beside or below the sign assemblies and are to be centered horizontally. If used, the beacons shall alternately flash at rates not less than 50 or more than 60 times per minute.

All Work Zone Digital Speed Limit equipment shall be on the NCDOT Work Zone Traffic Control Approved Products List.

### **Construction Methods**

The Speed Limit shall be continuously displayed on the signs. The speed limits are the sole authority of the NCDOT. All speed limits shall be ordinated by the State Traffic Engineer in order to have a lawfully enforceable speed limit.

The Regional Traffic Engineering Office and the Division Construction Engineer in coordination with the Work Zone Traffic Control Section will provide all Work Zone Speed Limit recommendations based on activities and conditions.

The Design-Build Team be responsible for coordinating with the Engineer when the Work Zone Speed Limits are to be changed and will have to seek approval by the Engineer or his designee before the Speed Limit is changed.

If the system has radar equipment and flashing beacons, the Digital Speed Limit systems shall have beacons activated when the "55 MPH" speed limit is being displayed. At all other speed limit displays (60 MPH, 65 MPH, 70 MPH), the beacons are not to be automatically activated until approaching speeds are detected to be 7 MPH or higher above the posted speed limit.

Whenever possible, each trailer mounted unit shall be placed on the paved shoulder and shall have the capability of being leveled.

**SOUND BARRIER WALL**

(3-6-15) (Rev. 9-11-17)

**1.0 DESCRIPTION**

This work consists of furnishing precast panels, structural steel, concrete columns, and all other materials; handling, transporting, fabricating, galvanizing, and storing materials; furnishing erection drawings, pile excavation, backfilling, erecting and installing the sound barrier wall members and all other materials as required by the plans developed by the Design-Build Team, the 2018 *Standard Specifications for Roads and Structures* and this Project Special Provision.

Unless otherwise approved by the Engineer, the Design-Build Team has a choice of ten or 15-foot pile spacing. Pile spacing greater than 15 feet will not be permitted. Provide consistent pile spacing the entire length of the wall. Use odd pile spacing, if necessary, only at the ends of the wall and at turning points, as approved by the Engineer.

A maximum one-foot drop or rise in top of wall elevation between wall sections will be permitted. Elevation changes greater than one foot, if necessary, will be allowed only at the end of the wall. Top of wall elevation changes that result in a jagged appearance shall not be allowed. Unless otherwise approved by NCDOT, the wall shall adhere to the updated Design Noise Report developed by the Design-Build Team.

**(B) ALTERNATE PILE SPACING**

As an alternate, the Design-Build Team may submit plans for pile spacing greater than 10 feet and less than 15 feet for review and approval. A submittal reducing the post spacing shall include the material and design specifications. The submittal shall also include an elevation view depicting the revised post spacing and proposed top of wall elevations. The proposed top of wall elevations shall be equal to or greater than the dimensions shown in the updated Design Noise Report developed by the Design-Build Team. The excavated hole diameter, excavation depth and reinforcing steel shall be equal to the amount required for 15-foot pile spacing. A variance in the reinforcing steel will be allowed for the length of horizontal and number of vertical reinforcement bars in the precast panel for the alternate pile spacing.

Submit two sets of detailed plans for review. Include all details in the plans developed by the Design-Build Team, including the size and spacing of required reinforcement necessary to fabricate the precast panels. Have a North Carolina Registered Professional Engineer check, seal and date the aforementioned plans.

**(C) ALTERNATE WALL TYPE**

Walls that have been assigned “Approved” or “Approved for Provisional Use” status by the Product Evaluation Program will be considered for substitution to the detailed Standard Sound Barrier Wall only when approved by the Department. Alternate walls shall meet all design and construction requirements of this RFP. Alternate wall structural stability and

connection details shall conform to the current edition of the AASHTO LRFD Bridge Design Specifications.

Prior to submittal of Working Drawings, as described herein, submit a copy of the signed NCDOT Product Status Notification Letter and two sets of preliminary plans for review and acceptance. Include material specifications for all components. Once preliminary plans are accepted, submit Working Drawings in accordance with all applicable portions of the requirements herein, including details necessary to fabricate and construct the proposed alternate.

Have a North Carolina Registered Professional Engineer check, seal and date the plans developed by the Design-Build Team and, when requested, calculations.

### **MATERIALS AND FABRICATION**

Provide materials and fabricate members in accordance with the *Architectural Concrete Surface Treatment* Project Special Provision found elsewhere in this RFP, and the requirements of Division 10 of the 2018 *Standard Specifications for Roads and Structures*.

Provide precast panels that are nominally 4 inches  $\pm$  ¼ inch thick with a simulated stone masonry textured surface on both faces. All texture shall extend outward from the nominal panel thickness. Furnish three 24" x 24" samples for approval which establish the acceptable variations in color, texture and uniformity. After the color, texture and uniformity of the furnished samples are approved, produce a full scale panel unit meeting design requirements. This mock-up and the furnished samples establish the standard quality for determining approval of the panels. When producing the final installed panels, use fine and coarse aggregate, retarder, and cement from the same source as those used in the approved sample panels.

### **CONSTRUCTION METHODS**

Complete the final survey of existing ground profile after clearing the sound barrier wall area, but prior to submitting any Working Drawings. Submit the final groundline survey with the Working Drawings.

Excavate holes with the diameters shown on the plans developed by the Design-Build Team. Perform pile excavation to the depths shown on the aforementioned plans and install piles as shown on the plans developed by the Design-Build Team with a tolerance of ½-inch per foot from vertical. Backfill excavations with concrete after placing piles.

#### **1. Pile Excavation**

Use equipment of adequate capacity and capable of drilling through soil and non-soil including rock, boulders, debris, man-made objects and any other materials encountered. Blasting shall not be permitted to advance the excavation. Blasting for core removal shall only be permitted when approved by the Engineer. Dispose of drilling spoils in accordance with Section 802 of the 2018 *Standard Specifications for*

*Roads and Structures* and as directed by the Engineer. Drilling spoils shall consist of all excavated material, including but not limited to water removed from the excavation either by pumping or drilling tools.

If unstable, caving or sloughing soils are anticipated or encountered, stabilize excavations with either slurry or steel casing. When using slurry, submit slurry details including product information, manufacturer's recommendations for use, slurry equipment information and written approval from the slurry supplier that the mixing water is acceptable before beginning drilling. When using steel casing, use either the sectional type or one continuous corrugated or non-corrugated piece. Steel casings shall consist of clean watertight steel of ample strength to withstand handling and driving stresses and the pressures imposed by concrete, earth or backfill. Use steel casings with an outside diameter equal to the hole size and a minimum wall thickness of ¼-inch.

## 2. Concrete Placement

Before placing concrete, center and support the pile in the excavation and check the water inflow rate in the excavation after any pumps have been removed. If the inflow rate is less than six inches per half hour, remove any water and free fall the concrete into the excavation. Ensure that concrete flows completely around the pile. If the water inflow rate is greater than six inches per half hour, propose a concrete placement procedure to the Engineer. The Engineer shall approve the concrete placement procedure before placing any concrete.

Fill the excavation with Class A concrete in accordance with Section 1000 of the 2018 *Standard Specifications for Roads and Structures*, except as modified herein. Provide concrete with a slump of six to eight inches. Use an approved high-range water reducer to achieve this slump. Place concrete in a continuous manner and remove all casings.

## WORKING DRAWINGS

In accordance with Article 1077-2 of the 2018 *Standard Specifications for Roads and Structures*, submit casting drawings for the precast face panels for approval prior to casting. Show the inserts, method of handling, and support details used for transportation on casting drawings. Submit metalwork fabrication drawings for approval prior to fabrication of steel wall components. Submit an erection plan and concrete face panel placing plan, including location of various heights of panels, for review and acceptance prior to fabrication of metalwork. Submit five sets of detail drawings for review and acceptance.

## **ARCHITECTURAL CONCRETE SURFACE TREATMENT**

(1-28-15) (Rev. 11-16-17)

### **1.0 GENERAL**

The work covered by this Project Special Provision shall consist of constructing a stained, simulated stone masonry textured surface on both faces of pre-cast concrete

panels used in sound barrier walls and the visible face of retaining walls as indicated on the plans developed by the Design-Build Team and herein. The Design-Build Team shall furnish all materials, labor, equipment and incidentals necessary for the construction of architectural concrete surface treatment using simulated stone masonry form liners (molds).

The Design-Build Team shall use the same source of form liner for all sound barrier wall panels and retaining walls. The architectural concrete surface treatment shall match the appearance (stone size, stone shape, stone texture, pattern and relief) of natural stone to resemble an ashlar stone pattern with a non-stained finish. All texture shall be in addition to the nominal thickness of the wall panels of four inches  $\pm$   $\frac{1}{4}$  inch. Maximum relief of the textured surface shall be  $\frac{1}{4}$  inch or less. The top 1'-0" of the top panel within each sound barrier wall segment shall have a smooth, non-textured and non-stained finish to resemble faux coping. Concrete columns and panels shall remain unstained in their natural concrete color. There shall be no appreciable contrast between the colors of the unstained concrete columns and the unstained panels. For information purposes only, sources of form liners in the ashlar stone pattern include, but are not limited to:

Scott System, Inc.  
10777 E. 45th Avenue  
Denver, Colorado 80239  
<http://www.scottsystem.com/>  
Pattern: Ashlar Stone # 167B

Architectural Polymers, Inc.  
1220 Little Gap Road  
Palmerton, Pennsylvania 18071  
<http://www.architecturalpolymers.com/>  
Pattern: Ashlar Stone # 904A

Fitzgerald Form Liners  
1500 East Chestnut Avenue  
Santa Ana, California 92701  
<http://formliners.com/>  
Pattern: Georgia Ashlar # 16999

The Design-Build Team has the option of supplying an alternative pattern of simulated stone form liner, as long as the pattern selected is approved, in writing, as an equal or approved alternative by the Engineer.

## 2.0 SUBMITTALS

**Shop Drawings** – The Design-Build Team shall submit for review and acceptance, plan and elevation views and details showing overall simulated stone pattern, joint locations, form tie locations, and end, edge or other special conditions. The drawings shall include typical cross sections of applicable surfaces, joints, corners, stone relief, stone size, pitch

/ working line, mortar joint and bed depths. If necessary, the Design-Build Team shall revise the shop drawings until the proposed form liner patterns and arrangement have been accepted by the Engineer. Shop drawings shall be of sufficient scale to show the detail of all stone and joint patterns. The size of the sheets used for the shop drawings shall be 22" x 34".

The form liner shall be patterned such that long continuous horizontal or vertical lines do not occur on the finished exposed surface. The line pattern shall be random in nature and shall conceal construction joint lines. Special attention shall be given to details for wrapping form liners around corners.

Shop drawings shall be reviewed and accepted prior to fabrication of any form liners.

**Sample Sound Wall Panels** – After shop drawings have been reviewed and accepted by the Engineer, the Design-Build Team shall construct three 24" x 24" transportable sample panel(s) at the project site. The materials used in construction of the sample panel(s) shall comply with Section 420 of the 2018 *Standard Specifications for Roads and Structures*. The sample panel(s) shall be constructed using form liners approved by the Engineer. Any sample panel that is not approved by the Engineer shall be removed from the project site and a new sample panel produced at no additional expense to the Department.

After the texture and uniformity of the furnished samples are approved by the Engineer, produce a full scale unit meeting the design requirements. This mock-up and the furnished samples shall establish the standard quality for determining the panel approval.

Architectural surface treatments and patterns of the finished work shall achieve the same final effect as demonstrated on the approved sample panel(s). Upon approval by the Engineer, the sample panel(s) shall be used as the quality standard for the project. After the approval of the completed structure, the Design-Build Team shall dispose of the sample panels, as directed by the Engineer.

### 3.0 MATERIAL REQUIREMENTS

**Form Liner** – The form liner shall be a high quality, reusable product manufactured of high strength urethane rubber or other approved material which attaches easily to the form work system, and shall not compress more than ¼-inch when concrete is poured at a rate of ten vertical feet per hour. The form liners shall be removable without causing deterioration of the surface or underlying concrete.

**Form Release Agent** – Form release agent shall be a non-staining petroleum distillate free from water, asphaltic, and other insoluble residue, or an equivalent product. Form release agents shall be compatible with any special surface finish.

**Form Ties** – Form ties shall be set back a minimum of two inches from the finished concrete surface. The ties shall be designed so that all material in the device to a depth of

at least two inches back of the concrete face (bottom of simulated mortar groove) can be disengaged and removed without spalling or damaging the concrete. The Design-Build Team shall submit the type of form ties to the Engineer for approval.

**Anti-Graffiti Coating** – The Design-Build Team shall apply anti-graffiti coating. After application, the anti-graffiti coating shall be dry to the touch within one hour and shall achieve a final cure within three hours. The color of the anti-graffiti shall be clear after full cure. The Design-Build Team shall provide one gallon of graffiti remover, thinners, dryers and all necessary components recommended by the manufacturer to the North Carolina Department of Transportation Materials and Tests Unit, Chemical Testing Engineer.

**Quality Standards** – Manufacturer of simulated stone masonry form liners shall have at least five years' experience making stone masonry molds to create formed concrete surfaces to match the natural stone shapes and surface textures.

The Design-Build Team shall schedule a pre-installation conference with a manufacturer representative and the Engineer to assure understanding of simulated stone masonry form liner use, requirements for construction of sample panel(s), and to coordinate the work. The Design-Build Team shall disclose their source of simulated stone masonry manufacturer and contractor at the Preconstruction Conference.

#### 4.0 CONSTRUCTION

**Form Liner Preparation** – Prior to each concrete pour, the form liners shall be clean and free of build-up. Each liner shall be visually inspected for blemishes and tears. Repairs shall be made in accordance with the manufacturer's recommendations. Repairs shall be approved by the Engineer before being used. Form liner panels that do not perform as intended or are no longer repairable shall be replaced.

**Form Liner Attachment** – Form liners shall be securely attached to forms in accordance with the manufacturer's recommendations, with less than a ¼-inch seam. Blend form liner butt joints into the stone pattern and finish off the final concrete surface. Create no visible vertical or horizontal seams or conspicuous form liner butt joint marks. At locations where the form liners are joined, carefully blend to match the balance of the stone pattern. Form liners shall be installed to withstand anticipated concrete placement pressures without leakage and without causing physical or visual defects. Wall ties shall be coordinated with the form liner system. The Design-Build Team shall have a technical representative from the form liner manufacturer on site for technical supervision during the installation and removal of form liners. Unless allowed by the Engineer, installation and removal of form liners shall not be permitted if the aforementioned technical representative is not present.

**Form Release Agent** – Form release agent shall be applied in accordance with the manufacturer's recommendations. The material shall be compatible with the form liner



material and in accordance with this Project Special Provision. Form release agent shall be worked into all areas, especially pattern recesses.

**Patching** – Using patching materials and procedures in accordance with the manufacturer’s recommendations, all form tie holes and other defects in finished uncolored surface shall be filled or repaired within 48 hours of form removal.

**Surface Finish** – Cleaning of surfaces shall be accomplished by pressure washing with water set at 3000 psi to remove laitance. The fan nozzle shall be held perpendicular to the surface at a distance of one to two feet. Sandblasting shall not be permitted.

Final surface shall be free of blemishes, surface voids, and other irregularities. All patterns shall be continuous without visual disruption.

Reinforced concrete shall be finished in accordance with the 2018 *Standard Specifications for Roads and Structures*, except that curing of concrete shall be done to accommodate the application of surface finish treatment.

**Grout Pattern Joints** – Grout pattern joints shall be constructed to simulate the appearance of mortared joints produced in laid up masonry work. Grout pattern joints shall be produced in accordance with the form liner manufacturer.

**Anti-Graffiti Coating Application** - The Design-Build Team shall apply anti-graffiti coating by brush, roller or airless spray when the ambient temperature is between 45° F and 90° F, and the surface temperature is between 50° F and 100° F. Ensure the surface is clean and dry before applying the anti-graffiti coating. The minimum dry film thickness of the anti-graffiti coating shall be 2.0 mils.

Following the completion of all work, repairs of any damage made by other construction operations shall be made to the form lined surfaces, as directed by the Engineer.

**Experience and Qualifications** – The Design-Build Team shall have a minimum of three consecutive years’ experience in architectural concrete surface treatment construction on similar types of projects. The Design-Build Team shall furnish to the Engineer five references who were responsible for supervision of similar projects and will testify to the successful completion of these projects. Include name, address, telephone number, and specific type of application.

**DIAMOND GRINDING CONCRETE PAVEMENT**

(4-15-08) (Rev. 9-11-17)

DBI 7-09

**Description**

Perform the work covered by this provision including but not limited to diamond grinding and regrinding concrete pavement to meet final surface testing requirements in accordance with Article 710-7 of the 2018 *NCDOT Standard Specifications for Roads and Structures*, selecting diamond tipped saw blades and configuration of cutting head; continual removal of residual slurry from pavement and disposal; furnishing all labor, materials, supplies, tools, equipment and incidentals as necessary.

**Equipment**

Use equipment with diamond tipped saw blades gang mounted on a power driven self-propelled machine with a minimum wheel base length of 15 feet that is specifically designed to smooth and texture Portland Cement Concrete pavement. Utilize equipment that does not cause raveling; aggregate fracture; spalls or disturbance to the longitudinal or transverse joints; or damage and / or strain to the underlying surface of the pavement. Should any of the above problems occur immediately suspend operations.

Provide a minimum three-foot wide grinding head with 50 to 60 evenly spaced grooves per foot. Prior to designing the grinding head, evaluate the aggregate hardness of the concrete pavement and select the appropriate diamond size, diamond concentration and bond hardness for the individual saw blades.

Provide vacuuming equipment to continuously remove slurry residue and excess water from the pavement as part of the grinding operation. Do not allow the slurry material to flow into a travel lane occupied by traffic or into any drainage facility.

**Method of Construction**

Grind the pavement surface to a uniform appearance with a high skid resistant longitudinal corduroy type texture. Provide grooves between 0.09 and 0.15 inch wide with the land area between the grooves between 0.06 and 0.13 inch wide. Ensure a ridge peak of approximately 0.0625 inch higher than the bottom of the grooves.

Begin and end diamond grinding at lines normal to the pavement centerline. Grind only in the longitudinal direction. All grooves and adjacent passes shall be parallel to each other with no variation. Completely lap adjacent passes with no unground surface remaining between passes and no overlap of more than 1½ inches. Adjacent passes shall be within 1/8 inch of the same height as measured with a three-foot straightedge. Maintain positive cross-slope drainage for the duration of the grinding operation.

Grind all concrete travel lanes with not less than 98 percent of the specified surface being textured by grinding. Grinding of the bridge decks and concrete shoulders will not be required. Remove a minimum 0.0625 inch at all locations except dips. Extra grinding to eliminate minor

depressions is not required. It is anticipated that extra grinding will be required on the high side of existing faults in the pavement. There shall be no ridge between lanes. In a separate operation, transition the grinding of any remaining ridges greater than 1/8 inch in height on the outside edge next to the shoulder or at a tie to an existing facility to the satisfaction of the Engineer.

### **Disposal of Residual Slurry**

Diamond grinding slurry disposal shall be in accordance with the Statewide Permit for Land Application of Diamond Grinding Slurry (DGS), Permit No. WQ0035749 dated June 3, 2014. Submit a slurry disposal plan to the Engineer detailing method of handling and disposing of slurry from the diamond grinding operation a minimum of 30 days prior to beginning the diamond grinding operation. Engineer shall review the slurry disposal plan. Plan must be accepted prior to beginning the diamond grinding operation.

Diamond grinding slurry disposal options include the following:

- a) Land apply slurry directly from diamond grinding machine within the NCDOT right of way on the I-40 / I-77 turf median, turf shoulders and / or slopes within the project limits.
- b) Collect, contain, haul and dispose of slurry at an approved permitted site. No additional payment will be made for transporting the slurry material for disposal.

The disposal options noted above are provided since there will be sections of this project where direct land application will not be available due to a lack of turf shoulders.

To prevent the migration of any direct discharge from the diamond grinding machine, land applied DGS, or tanker from entering a drainage inlet or structure, the Design-Build Team shall install wattles, storm drainage inlet protection, silt fence, and / or any other erosion control devices required. These devices shall be installed in accordance with Division 16 of the NCDOT 2018 *Standard Specifications for Roads and Structures*.

If the rate of discharge from the tanker cannot be controlled in a manner to meet the requirements for land applied DGS, the Design-Build Team shall be responsible for excavating holding basins, dewatering, removing solids, and properly disposing of the water and solids in accordance with the permit and the guidelines referenced below. The Department will not honor any requests for additional contract time or compensation for the aforementioned items.

For more information on disposal options, reference the NCDOT *Guidelines on the Management and Disposal of Concrete Grinding Residuals* on the website noted below:

**<https://connect.ncdot.gov/resources/Environmental/Environmental%20Permits%20and%20Guidelines/NCDOT%20GUIDELINES%20ON%20MANAGEMENT%20AND%20DISPOSAL%20OF%20CGR%209-14-2015.pdf>**

**NONWOVEN GEOTEXTILE INTERLAYER**

(01-13-14)

SPI 10-07

**Description**

Furnish and install a nonwoven geotextile interlayer at locations shown in the plans prepared by the Design-Build Team.

**General**

The Design-Build Team shall schedule a Pre-Pave Meeting at least three weeks prior to paving to discuss installation and construction procedures for the nonwoven geotextile interlayer with representatives from the Design-Build Team including Paving Superintendent, Subcontractor, Geotextile Manufacturer, Engineer, Roadway Inspector, Area Roadway Construction Engineer, Division Construction Engineer, and the State Pavement Construction Engineer.

**Materials**

The geotextile interlayer shall be constructed of a non-woven needle-punched geotextile, with no thermal treatment (calendaring or IR). The material shall be resistant to chemicals, mildew, and rot and shall not have any tears or holes that will adversely affect the in-situ performance and physical properties of the installed material.

Furnish with each shipment a Type 3 Certification in accordance with Article 106-3 of the 2018 NCDOT *Standard Specifications for Roads and Structures* certifying that the paving mat is a non-woven needle-punched geotextile with no thermal treatment (calendaring or IR) meeting the requirements shown:

<b>Physical Properties of Non-Woven Geotextile Interlayer</b>			
<b>Property</b>	<b>Test Method</b>	<b>Units</b>	<b>Value</b>
Minimum Mass per unit area	ASTM D 5261	oz/yd <sup>2</sup>	15.0
Minimum thickness under load (a) at 2 kPa (0.29 psi) (b) at 20 kPa (2.9 psi) (c) at 200 kPa (29 psi)	ASTM D 5199	in	(a) 0.12 (b) 0.10 (c) 0.04
Minimum wide-width tensile strength	ASTM D 4595	lb/ft	685
Maximum wide-width elongation	ASTM D 4595	%	130
Minimum water permeability in normal direction under load (pressure) at 20 kPa (2.9 psi)	Mod. ASTM D 5493 or ASTM D 4491	ft/s	3.3x10 <sup>-4</sup>
Minimum in-plane water permeability (transmissivity) under load (pressure) (a) at 20kPa (2.9 psi) (b) at 200kPa (29 psi)	Mod. ASTM D 6574 or ASTM D 4716	ft/s	(a) 1.6x10 <sup>-3</sup> (b) 6.6x10 <sup>-4</sup>
Minimum weather resistance retained strength	ASTM D 4355 at 500 hrs. exposure	%	60
Alkali resistance, minimum polypropylene/polyethylene	Manufacturer certification of polymer	%	96

Note: Requirements must be met for 95 percent of samples.

### General Requirements

A trained and experienced installer, certified by the Geotextile Manufacturer, shall be present on-site during the installation of the geotextile and until the crew has a comfort level working with this material.

Ensure that any potential for keying of the two cementitious layers is minimized through proper repair techniques. Clean the underlying surface to remove loose debris before applying the interlayer. Roll the geotextile out on the underlying layer. The geotextile shall be tight and without excess wrinkles and folds. No more than 650 feet of geotextile shall be installed in advance of the paving operation at a given time. The interlayer shall be placed no more than three days before concrete placement.

Keep driving on the interlayer to a minimum. Tight radius turns and excessive acceleration and braking shall be avoided.

The geotextile shall be secured to the underlying layer with pins or nails punched through 2 to 2.75 inch galvanized washers or disks every six feet or less. Additional fasteners shall be used as needed to ensure that the geotextile does not shift or fold before or during concrete placement. Edges of the geotextile shall overlap by 8 +/- 2 inches. No more than three layers of geotextile shall overlap at any location. Transverse seams of adjacent rolls shall be staggered to

prevent four layers from coinciding at any location. The free edge of the geotextile shall extend beyond the edge of the new concrete into a location that facilitates drainage.

## **GREENWAYS AND MULTI-USE PATHS**

(2-18-14)

BP-1

### **Description**

This project special provision provides for revisions to the 2018 *Standard Specifications for Roads and Structures* for work on a greenway or multi-use path not designed or intended to carry highway traffic.

### **Materials**

Refer to the 2018 *Standard Specifications for Roads and Structures* except as noted in this project special provision. Use materials on the NCDOT Approved Products List (APL) where applicable.

### **Construction Methods**

Construct Greenway in accordance with the plans developed by the Design-Build Team and the 2018 *Standard Specifications for Roads and Structures* except as noted below:

<b>SECTION</b>	<b>ARTICLE</b>	<b>PAGE</b>	<b>REVISION</b>
235: Embankments	235-3(C): Embankment Compaction	2-24	<b>Delete first sentence and replace with the following:</b>  Compact each layer for its full width to a density equal to at least 90% of that obtained by compacting a sample of the material in accordance with AASHTO T 99 as modified by the Department.
500: Fine Grading Subgrade	500-2(C): Compaction of Subgrade	5-1	<b>Delete first sentence and replace with the following:</b>  Compact all material to a depth of up to eight inches below the finished surface of the subgrade to a density equal to at least 92% of that obtained by compacting a sample of the material in accordance with AASHTO T 99 as modified by the Department.
500: Fine Grading Subgrade	500-3: Tolerances	5-2	<b>Delete Article 500-3 and replace with the following:</b>  A tolerance of plus or minus one inch from the established greenway grade will be permitted after the subgrade has been graded to a uniform surface.

SECTION	ARTICLE	PAGE	REVISION
505: Aggregate Subgrade	505-3: Construction Methods	5-8	<p><b>Delete first paragraph and replace with the following:</b></p> <p>Perform shallow undercut up to 12 inches as necessary to remove unsuitable material. If necessary, install geotextile for soil stabilization in accordance with Article 270-3. Place Class III select material or Class IV subgrade stabilization (standard size no. ABC) by end dumping on geotextiles. Do not operate heavy equipment on geotextiles until geotextiles are covered with Class III or ABC. Compact ABC to 92% or to the highest density that can be reasonably attained.</p>
520: Aggregate Base Course	520-7: Shaping and Compaction	5-11	<p><b>Delete first sentence in second paragraph and replace with the following:</b></p> <p>For both nuclear and ring tests, compact each layer of the base to a density equal to at least 92% of that obtained by compacting a sample of the material in accordance with AASHTO T 180 as modified by the Department.</p> <p><b>Delete the third paragraph</b></p>
610: Asphalt Concrete Plant Mix Pavements	610-10: Density Requirements	6-23	<p><b>Delete Article 610-10 and replace with the following:</b></p> <p>Compact the asphalt plant mix to at least 85% of the maximum specific gravity.</p>
610: Asphalt Concrete Plant Mix Pavements	610-13: Final Surface Testing and Acceptance	6-24	<p><b>Delete Article 610-13</b></p>
848: Concrete Sidewalks	848-3: Construction Methods	8-31	<p><b>Delete second paragraph and replace with the following:</b></p> <p>Construct concrete greenway based on the typical sections in the plans developed by the Design-Build Team. Place groove joints at a spacing equal to the width of the greenway. Transverse Expansion Joints shall be required every 40 feet.</p>

**TYPICAL MEDIAN ACCESS AREAS**

(5/3/18)

**Description**

Perform the work covered by this section including, but not limited to, constructing, maintaining, and removing Typical Median Access Areas for construction vehicle ingress to and egress from the median to / from active travel lanes on controlled access facilities.

Typical Median Access Areas are not required when construction vehicle ingress and egress is conducted using lane closures as shown on Roadway Standard Drawing No. 1101.05, Sheet 2 of 2.

**Materials**

Refer to Divisions 6, 10, 11, 12, and 17 in the 2018 *Standard Specifications for Roads and Structures*.

Provide temporary traffic control devices listed on the NCDOT Approved Products List (APL).

Provide Work Zone Performance Pavement Markings (Reference the Transportation Management Scope of Work found elsewhere in this RFP)

Provide High Visibility Devices (Reference the *High Visibility Devices* Project Special Provision found elsewhere in this RFP)

**Flashing Beacon and Detection System****(A) General**

Provide flashing beacon and detection system components listed on the NCDOT ITS and Signals Qualified Products List (QPL).

Provide a trailer mounted flashing beacon and warning sign assembly that meets or exceeds the physical and operational requirements of the MUTCD, or other mounting method approved by the Department. The following specifications supplement those basic requirements.

Provide a totally mobile complete unit capable of being located as traffic conditions demand.

The warning sign height shall comply with Roadway Standard Drawing No. 1110.01, Sheet 1 of 3 when raised in the upright position.

The flashing beacon housing assembly shall be of weather resistant construction.



**(B) Power System**

Provide a unit that is solar powered and supplemented with a battery backup system that includes a 110/120 VAC powered on-board charging system.

The unit shall also be capable of being powered by standard 110/120 VAC power source.

The batteries, when fully charged, shall be capable of powering the display for 20 continuous days with no solar power.

Store the battery bank and charging system in a lockable, weather, and vandal resistant box.

**(C) Controller**

Provide automatic brightness / dimming of the display and a manual override dimming switch.

The controller shall provide a battery-charge status indicator.

Mobile radio or any other radio transmissions shall not affect the controller.

Store the controller in a lockable, weather and vandal resistant box.

**(D) Trailer**

Finish all exterior metal surfaces with Federal orange enamel per Federal Standard 595a, color chip ID# 13538 or 12473 respectively. The trailer shall be able to support a 100 mph wind load with the display fully extended.

The trailer shall be equipped with leveling jacks capable of stabilizing the unit in a horizontal position when located on slopes 6:1 or flatter.

The trailer shall be properly equipped in compliance with North Carolina Law governing motor vehicles.

Provide a minimum four inch wide strip of fluorescent orange retroreflective sheeting to the frame of the trailer. Apply the sheeting to all sides of the trailer. The retroreflective sheeting shall be Grade B that conforms to Article 1092-2 in the 2018 *Standard Specifications for Roads and Structures*. Drums may be supplemented around the unit in place of the sheeting.

**(E) Reliability**

Provide a sign unit, flashing beacons, and detection system with all components rated to operate at temperatures ranging from -30° F to 165° F.

**Construction Methods**

See Typical Median Access Detail below.

**Temporary Acceleration Lane**

Construct a temporary acceleration lane with a minimum length of 1720 feet and a minimum clear width of 12 feet from the face of the positive protection to the active travel lanes. At least 1,020 feet of parallel merge / diverge area is required adjacent to the active travel lanes, in addition to a 300-foot merging taper, a 300' channelized acceleration area, and a 100-foot detection area. The channelized acceleration and detection areas shall have positive protection separating them from the active travel lanes and shall not overlap the 1,020 feet of parallel merge / diverge area.

The Temporary Acceleration Lane shall use either existing or proposed pavement, where available. If existing or proposed pavement is not available, construct temporary pavement as follows: 1.25" S9.5B, 2.5" I19.0C, and 8" ABC. Install and maintain pavement in accordance with Division 6.

Using Work Zone Performance Pavement Markings, install 12 inch yellow diagonals lines (2:1 slope) at 100-foot intervals throughout the upstream half of the parallel merge / diverge area, and at 55-foot intervals throughout the downstream half of the parallel merge / diverge area. Remove any conflicting markings in accordance with Section 1205.

**Flashing Beacons and Detection System**

Provide High Visibility advance warning signage as shown in the details below. Provide a flashing beacon system with two (2) flashing lights per sign to alert motorists in the active travel lanes of work vehicles entering from the median.

Provide a non-intrusive detection system capable of detecting vehicles in the work area at least 400 feet in advance of the parallel merge / diverge area. The detection system shall be programmed such that passing public traffic in active travel lanes and vehicles in the work area not intending to use the parallel merge / diverge area are not detected.

Once detection occurs, the beacons on the advance warning sign(s) shall begin flashing immediately at a rate of not less than 50 or more than 60 times per minute. The beacons on the advance warning sign(s) shall flash continuously in an alternating pattern at all times that work vehicles are detected. The beacons shall continue flashing for thirty (30) seconds after detection ceases before turning off, and personnel on site shall have the ability to adjust this time based on field conditions. The flashing beacon system shall remain dark when idle.

Expedite repairs due to failure, malfunction or damage to the flashing beacons and / or detection system. Furnish another flashing beacon system or detection system approved by the Department during the repair time. Repair or replace flashing beacon system and / or detection systems

immediately; otherwise, suspend all construction activities requiring the use of the Median Access Area until the flashing beacon system and / or detection system is restored to operation.

Perform all maintenance operations recommended by the manufacturer of the flashing beacon system and detection system.

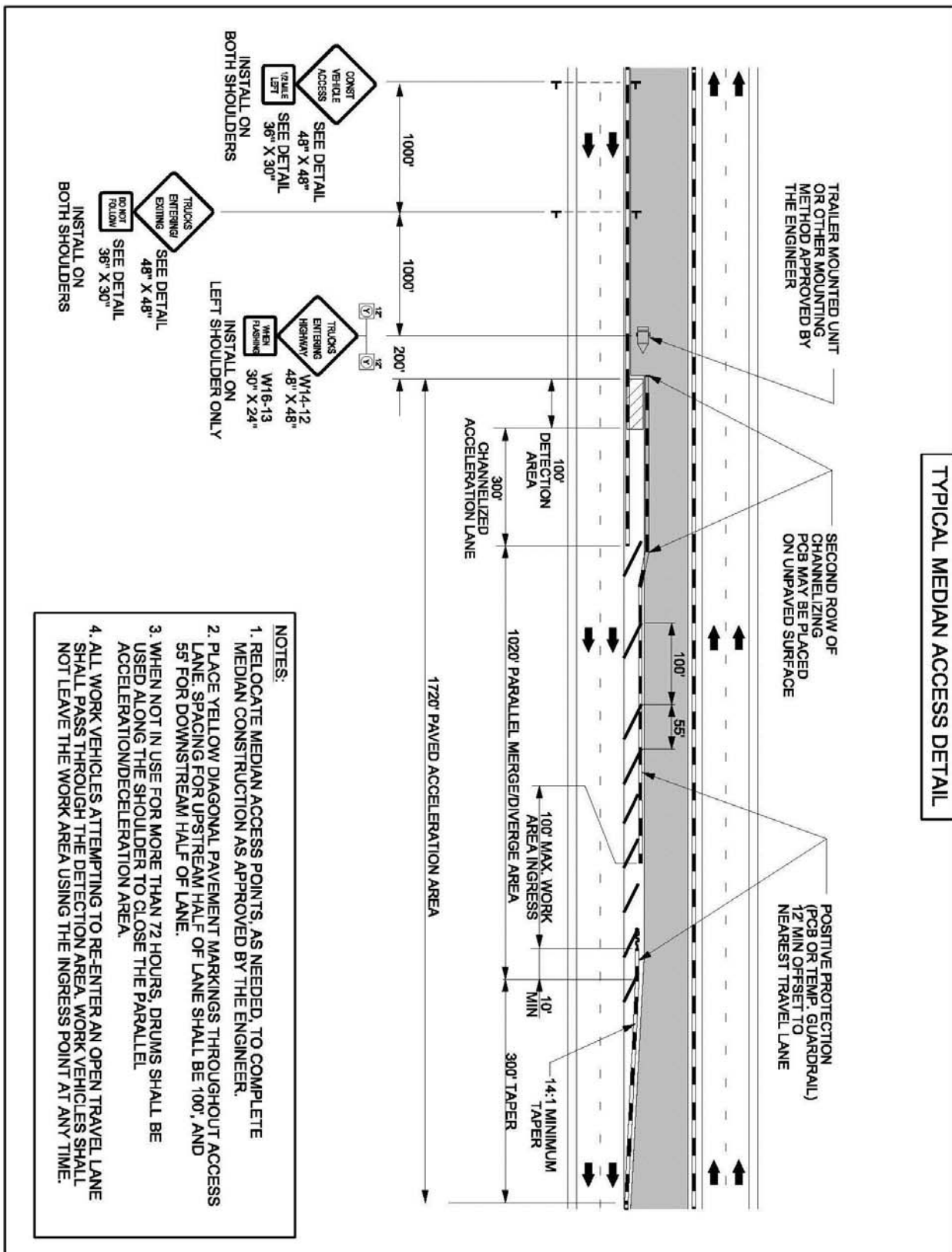
### **Location, Placement, and Use**

All proposed Typical Median Access Area locations shall be reviewed and approved by the Department prior to installation.

Work vehicles using a particular Median Access Area shall not utilize any interchange ramp (on-ramp or off-ramp) within one (1) mile of the Median Access Area. Non-compliance with this requirement shall result in permanent closure of the Median Access Area.

Typical Median Access Areas installed in accordance with this section will not require the use of temporary lane closures for ingress / egress of work vehicles.

The Design-Build Team shall comply with multiple and single vehicle hauling restrictions as shown in the TMP when performing hauling of equipment or materials to or from the project while using Typical Median Access Areas.



- NOTES:**
1. RELOCATE MEDIAN ACCESS POINTS, AS NEEDED, TO COMPLETE MEDIAN CONSTRUCTION AS APPROVED BY THE ENGINEER.
  2. PLACE YELLOW DIAGONAL PAVEMENT MARKINGS THROUGHOUT ACCESS LANE. SPACING FOR UPSTREAM HALF OF LANE SHALL BE 100', AND 55' FOR DOWNSTREAM HALF OF LANE.
  3. WHEN NOT IN USE FOR MORE THAN 72 HOURS, DRUMS SHALL BE USED ALONG THE SHOULDER TO CLOSE THE PARALLEL ACCELERATION/DECELERATION AREA.
  4. ALL WORK VEHICLES ATTEMPTING TO RE-ENTER AN OPEN TRAVEL LANE SHALL PASS THROUGH THE DETECTION AREA. WORK VEHICLES SHALL NOT LEAVE THE WORK AREA USING THE INGRESS POINT AT ANY TIME.

<p>SIGN NUMBER: WZTC TYPE: STATIONARY QUANTITY: SEE PLANS</p> <p>SIGN WIDTH: 5'-6" HEIGHT: 5'-6" TOTAL AREA: 30.3 Sq.Ft.</p> <p>BORDER TYPE: INSET RECESS: 0" WIDTH: 0" RADIUS: 0"</p> <p>NO. Z BARS: 2 LENGTH: 58.0</p> <p>MAT'L: 0.080" (2.0 mm) ALUMINUM</p> <p>USE NOTES: 1,2</p> <ol style="list-style-type: none"> <li>1. Legend and border shall be direct applied black non-reflective sheeting.</li> <li>2. Background shall be NC GRADE B fluorescent orange retroreflective sheeting.</li> </ol>	<p>BACKG COLOR: Fluorescent Orange COPY COLOR: Black</p> <table border="1" style="width: 100%; border-collapse: collapse;"> <thead> <tr> <th>SYMBOL</th> <th>X</th> <th>Y</th> <th>WID</th> <th>HT</th> </tr> </thead> <tbody> <tr><td> </td><td> </td><td> </td><td> </td><td> </td></tr> <tr><td> </td><td> </td><td> </td><td> </td><td> </td></tr> <tr><td> </td><td> </td><td> </td><td> </td><td> </td></tr> <tr><td> </td><td> </td><td> </td><td> </td><td> </td></tr> <tr><td> </td><td> </td><td> </td><td> </td><td> </td></tr> </tbody> </table> <p>DESIGN BY: J. Navarrete PROJECT ID: 15922</p> <p>CHECKED BY: LOCATION:</p> <p>Mar 14, 2018 DIV: WZTC</p>	SYMBOL	X	Y	WID	HT																									
SYMBOL	X	Y	WID	HT																											

Spacing Factor is 1 unless specified otherwise

LETTER POSITIONS															Series/Size Text Length					
C	O	N	S	T	Letter spacings are to start of next letter															
					22.7															20.5
					19.6															26.9
					20.6															24.8

FILENAME: 15922 Sign Design      NORTH CAROLINA D.O.T. SIGN DETAIL



SIGN NUMBER: WZTC	BACKG COLOR: Fluorescent Orange	DESIGN BY: J.Navarrete	CHECKED BY:	Mar 14, 2018
TYPE: STATIONARY	COPY COLOR: Black	PROJECT ID: 15922	LOCATION:	DIV: DIV
QUANTITY: SEE PLANS				
SIGN WIDTH: 5'-6"				
HEIGHT: 5'-6"				
TOTAL AREA: 30.3 Sq.Ft.				
BORDER TYPE: INSET				
RECESS: 0"				
WIDTH: 0"				
RADII: 0"				
NO. Z BARS: 2	MAT'L: 0.080" (2.0 mm) ALUMINUM			
LENGTH: 58.0				

USE NOTES: 1,2

- Legend and border shall be direct applied black non-reflective sheeting.
- Background shall be NC GRADE B fluorescent orange retroreflective sheeting.

Spacing Factor is 1 unless specified otherwise

**LETTER POSITIONS**

**Letter spacings are to start of next letter**

Letter	T	R	U	C	K	S
Spacing	20.6	3.9	4.4	4.6	4.1	3.4
Letter	E	N	T	E	R	I
Spacing	14.3	4.1	4.2	3.9	4.1	2.2
Letter	E	X	I	T	I	N
Spacing	21.2	3.6	4.4	1.7	3.9	2.2
Letter						
Spacing						
Letter						
Spacing						

FILESNAME: 15922 Sign Designs

NORTH CAROLINA D.O.T. SIGN DETAIL

Samples/Size  
Text Length





**GENERAL**

The State will not be bound by oral explanations or instructions given at any time during the bidding process or after award. Only information that is received in response to this RFP will be evaluated; reference to information previously submitted will not suffice as a response to this solicitation.

**NO CONTACT CLAUSE**

To ensure that information is distributed equitably to all short-listed Design-Build Teams, all questions and requests for information shall be directed to the State Contract Officer through the Design-Build e-mail address. This precludes any Design-Build team member, or representative, from contacting representatives of the Department, other State Agencies or Federal Agencies either by phone, e-mail or in person concerning the Design-Build Project.

**USE OF TERMS**

Throughout this RFP and all manuals, documents and standards referred to in the RFP the terms Contractor, Bidder, Design-Builder, Design-Build Team, Team, Firm, Company and Proposer are synonymous.

Throughout this RFP and all manuals, documents and standards referred to in the RFP, the terms NCDOT, Department, Engineer and State are synonymous.

Throughout this RFP and all documents referred to in the RFP, references to the Technical Proposal include all Technical Proposal supplemental information that may be submitted in response to a Best and Final Offer RFP.

**DESIGN REFERENCES**

Design references developed and published by NCDOT and those developed and published by other agencies and adopted for use by NCDOT which are to be used in the design of this project may be obtained by contacting Contract Standards and Development Unit within the Technical Services Division. Standard prices for materials, which the Department normally sells for a fee, will be in effect. The Design-Build Team shall be responsible for designing in accordance with the applicable documents and current revisions and supplements thereto.

**REVIEW OF SUBMITTALS**

Major design milestones and required design submittals shall be identified as activities on a CPM, bar chart or other scheduling tool. This schedule shall be submitted to the Design-Build Unit and Resident Engineer concurrently with the first design submittal, or within 30 days of the contract award, whichever is earlier. The schedule shall be revised and resubmitted as design milestones change or as directed by the Design-Build Unit. Submittals will be reviewed within 10 working days (15 days for temporary structures, overhead sign assemblies, MSE walls, FEMA compliance documents, curved steel girder working drawings and temporary shoring) from the date of receipt by NCDOT unless otherwise stipulated in the scope of work. All submittals shall be prepared and submitted in accordance with the *Design-Build Submittal*

*Guidelines*, which by reference are incorporated and made a part of this contract. All submittals shall be made simultaneously to the Design-Build Unit and the Resident Engineer. The Department will not accept subsequent submittals until prior submittal reviews have been completed for that item. The Design-Build Team shall inform the Design-Build Unit in writing of any proposed changes to the NCDOT preliminary designs, Technical Proposal and / or previously reviewed submittals and obtain approval prior to incorporation. The Design-Build Team shall prioritize submittals in the event that multiple submittals are made based on the current schedule. All submittals shall include pertinent Special Provisions. No work shall be performed prior to Department review and acceptance of the design submittals.

## OVERVIEW

The Design-Build Project I-3819B / U-6039 provides the ultimate I-40 / I-77 interchange improvements and access management solutions on SR 2321 (East Broad Street) from Vine Street to SR 2422 (Signal Hill Drive).

Project services shall include but are not limited to:

- **Design Services** – completion of construction plans
- **Construction Services** – necessary to build and ensure workmanship of the designed facility
- **Intelligent Transportation System** – design and construction of ITS components, including CCTV cameras, dynamic message signs (DMS), fiber-optic communications cable and conduit, and ITS integration.
- **Permit Preparation / Application** – development of all documents for required permits
- **Right of Way** – acquisition of right of way necessary to construct project
- **As Constructed Drawings**
- **As-Built Plans**

The following project planning documents have been completed:

- The I-3819 Environmental Assessment (EA) was approved on November 29, 2006.
- The I-3819 Finding of No Significant Impact (FONSI) was approved on August 5, 2008.
- The I-3819 Project Environmental Consultation was approved on January 27, 2011.
- The U-6039 Categorical Exclusion (CE) was approved on March 7, 2018.

**Construction Engineering Inspection** will be provided by the NCDOT Division personnel or will be performed under a separate contract.

## GENERAL SCOPE

The scope of work for this project includes design, construction and management of the project. The design work will include all aspects for the ultimate I-40 / I-77 interchange improvements and access management solutions on SR 2321 (East Broad Street) from Vine Street to SR 2422 (Signal Hill Drive). The project will also 1) provide I-40 collector-distributor roadways between the US 21 and I-77 interchanges, 2) modify the I-40 / Old Mocksville Road interchange, 3) modify the I-77 / East Broad Street interchange, and 4) widen I-77 to eight lanes. Unless

allowed otherwise elsewhere in this RFP, the designs shall meet all appropriate latest versions of AASHTO *Policy on Geometric Design of Highways and Streets*, AASHTO *LRFD Bridge Design Specifications*, *Manual of Uniform Traffic Control Devices* and all NCDOT design policies that are current as of the Technical and Price Proposal submittal date or the Best and Final Offer submittal date, whichever is later.

Unless noted otherwise elsewhere in this RFP, all documents referenced herein shall be the edition / version, including all interim revisions, effective on the Design-Build submittal date or the Best and Final Offer submittal date, whichever is later.

Construction shall include, but not be limited to, all necessary clearing, grading, roadway, drainage, structures, utility coordination and relocation, and erosion and sediment control work items for the proposed four-lane facility and installation of the control of access fence. Construction engineering and management shall be the responsibility of the Design-Build Team. Construction shall comply with 2018 NCDOT *Standard Specifications for Roads and Structures* and any special provisions.

Areas of work required for this project shall include, but are not limited to the following items:

- Permit Application
- Hydraulic Design
- Roadway Design
- Structure Design
- Geotechnical Engineering
- GeoEnvironmental Remediation
- Construction
- Erosion and Sedimentation Control Design and Implementation
- Lighting (Construction Only)
- Utility Construction
- R/W Utilities, Conflicts and / or Construction
- Transportation Management Plan Design and Implementation
- Pavement Marking Design
- Foundation Design for Structures and Roadway
- Signing Design
- Traffic Signal Design
- Design and Construction Management
- Construction Surveying
- Location and Surveys
- Right of Way Acquisition
- Public Information
- Project Management
- Subgrade Stabilization
- Intelligent Transportation Systems (ITS) Design

All designs shall be in Microstation format using Geopak software (current version used by the Department).

**DESIGN AND CONSTRUCTION PERFORMED BY DESIGN-BUILD TEAM**

The design work consists of the preparation of all construction documents for the ultimate I-40 / I-77 interchange improvements and access management solutions on SR 2321 (East Broad Street) from Vine Street to SR 2422 (Signal Hill Drive). The project will also 1) provide I-40 collector-distributor roadways between the US 21 and I-77 interchanges, 2) modify the I-40 / Old Mocksville Road interchange, 3) modify the I-77 / East Broad Street interchange, and 4) widen I-77 to eight lanes, as outlined in the Scope of Work section of this RFP. The Design-Build Team shall prepare final designs, construction drawings, and special provisions.

Unless noted otherwise elsewhere in this RFP, the Design-Build Team shall acknowledge that project documents furnished by the Department are preliminary and provided solely to assist the Design-Build Team in the development of the project design. The Design-Build Team shall be fully and totally responsible for the accuracy and completeness of all work performed under this contract and shall save the State harmless and shall be fully liable for any additional costs and all claims against the State which may arise due to errors, omissions and negligence of the Design-Build Team in performing the work required by this contract.

There shall be no assignment, subletting or transfer of the interest of the Design-Build Team in any of the work covered by the Contract without the written consent of the State, except that the Design-Build Team may, with prior written notification of such action to the State, sublet property searches and related services without further approval of the State.

The Design-Build Team shall certify all plans, specifications, estimates and engineering data furnished by the Team.

All work by the Design-Build Team shall be performed in a manner satisfactory to the State and in accordance with the established customs, practices, and procedures of the North Carolina Department of Transportation, and in conformity with the standards adopted by the American Association of State Highway Transportation Officials, and approved by the U.S. Secretary of Transportation as provided in Title 23, U.S. Code, Section 109 (b). The decision of the Engineer / State / Department shall control in all questions regarding location, type of design, dimension of design, and similar questions.

Alternate designs, details and / or construction practices (such as those employed by other states, but not standard practice in NC) are subject to Department review and approval, and will be evaluated on a case by case basis.

The Design-Build Team shall not change team members, subconsultants or subcontractors identified in the Statement of Qualifications (SOQ) or Technical Proposal without written consent of the Engineer or the State Contract Officer. In addition, subconsultants and subcontractors not identified in the SOQ or Technical Proposal shall not perform any work without written consent by the Engineer. Individual offices of the Design-Build Team not identified in the Statement of Qualifications or the Technical Proposal submitted shall not perform any work without written consent by the Engineer. Failure to comply with this requirement may be justification for removing the Team from further consideration for this project and disqualification from submitting on future Design-Build Projects.

All firms shall be prequalified by the Department for the work they are to perform. Joint Ventures, LLCs or any legal structure that are different than the existing prequalification status must be prequalified prior to the Technical and Price Proposal submittal deadline. Subcontractors need only be prequalified prior to performing the work. Design firms should be prequalified prior to the Technical and Price Proposal submittal deadline. If not prequalified at the time of the Technical and Price Proposal submittal deadline, the prime contractor shall be solely responsible for either (1) ensuring that the design firm is prequalified prior to its first design submittal or (2) replacing that firm with a prequalified firm.

### **ACCESS TO PROVIDED MATERIALS**

To facilitate distribution of documents that may be helpful to the Design-Build Teams in their development of a Technical and Price Proposal and subsequent designs, project material will be made accessible through a secure web portal. The Design-Build Project Manager for each short-listed team shall provide a list of team members that will require access to this portal. This list shall include the name, e-mail address and North Carolina Identity Management (NCID) for each individual team member. Once the list is complete, it shall be submitted to the Design-Build e-mail address (designbuild@ncdot.gov). No distribution of Provided Materials will be possible prior to this list being submitted and the access privileges established as noted herein.

To create an NCID account, each individual shall go to NCDOT's Connect website (<https://connect.ncdot.gov>) and click on the "How to get an Account" link and then, "Create NCID".

The Department will obtain access rights for these individuals and notify the Design-Build Project Manager accordingly. Individuals may then re-enter the "Connect" site and login with their NCID account. Once logged in, the Teamsite "I-3819B / U-6039 Project" link will be apparent on the left side of the webpage.

Please note that all material provided, including the material provided through this portal, is provided for informational purposes only and is provided solely to assist the Design-Build Team in the development of the project design unless noted otherwise elsewhere in this RFP. By submitting a Technical Proposal and Price Proposal, the Design-Build Team acknowledges that they are fully and totally responsible for the project design, including the use of portions of the Department design, modification of such design, or other designs as may be submitted by the Design-Build Team, unless noted otherwise elsewhere in this RFP. The Design-Build Team further acknowledges that they are fully and totally responsible for the accuracy and completeness of all work performed, including the determination of the accuracy of the information provided through this portal, and to the extent that the Design-Build Team chooses to rely on such information.

## **ELECTRONIC PLAN SUBMITTALS AND E-SIGNATURES**

The Design-Build Team shall submit all Release for Construction Plans in accordance with the NCDOT e-Signature requirements, including but not limited to providing signed and sealed searchable .pdf files. Reference the website noted below for additional information:

**<https://connect.ncdot.gov/projects/roadway/pages/private-engineering-firm-resources.aspx>**

## **ETHICS POLICY**

Employees employed by the Design-Build Team or employees employed by any subconsultant for the Design-Build Team to provide services for this project shall comply with the Department's Ethics Policy. Failure to comply with the Ethics Policy will result in the employee's removal from the project and may result in removal of the Company from the Department's appropriate prequalified list.

## **APPROVAL OF PERSONNEL**

The Department will have the right to approve or reject any personnel, assigned to a project by the Design-Build Team.

In the event of engagement of a former employee of the Department, the Design-Build Team or their subcontractors shall restrict such person or persons from working on any of the Design-Build Team's contracted projects in which the person or persons were "formerly involved" while employed by the State. The restriction period shall be for the duration of the contracted project with which the person was involved. *Former Involvement* shall be defined as active participation in any of the following activities:

- Drafting the contract or contract Scopes of Work
- Design-Build Team selection
- Negotiation of the contract cost (including calculating manhours or fees); and
- Contract administration

An exception to these terms may be granted when recommended by the Secretary and approved by the Board of Transportation.

The Design-Build Team and their subconsultants / subcontractors shall restrict all personnel embedded within the Department, including but not limited to Design Units and Divisions, from working on any Design-Build procurement / project. Except as allowed otherwise below, the Design-Build Team shall provide a list of all embedded personnel to the Department and a signed Confidentiality Agreement for each embedded employee, as well as their employer and NCDOT Unit Manager. If the Design-Build Team has previously provided a signed Confidentiality Agreement for an embedded employee who's employer and / or NCDOT Unit Manager have not changed, the Design-Build Team shall 1) indicate on the aforementioned list when the original Confidentiality Agreement was provided to the Design-Build Unit (date and TIP Project), 2) provide a copy of the original signed Confidentiality Agreement, or 3) provide a new signed Confidentiality Agreement. The Design-Build Team shall submit the aforementioned list and Confidentiality Agreements to Mr. Ronald E. Davenport, Jr., P.E., State Contract Officer,

within ten business days of the issuance of the Industry Draft RFP, and provide updated lists and Confidentiality Agreements, as appropriate, throughout the project procurement / duration.

Failure to comply with the terms stated above in this section may be grounds for termination of this contract and / or not being considered for selection of work on future contracts for a period of one year.

## **SUBMITTAL OF TECHNICAL AND PRICE PROPOSALS**

**Technical and / or Price Proposals that do not adhere to all the requirements noted below may be considered non-responsive and may result in the Department not considering the Design-Build Team for award of the contract or reading their Price Proposal publicly.**

### **GENERAL**

Technical and Price Proposals will be accepted until **4:00 p.m. Local Time on Thursday, September 27, 2018**, at the office of the State Contract Officer:

Mr. Ronald E. Davenport, Jr., P.E.  
Contract Standards and Development  
1020 Birch Ridge Drive  
Century Center Complex - Building B  
Raleigh, NC 27610

**No Proposals will be accepted after the time specified.**

Proposals shall be submitted in two separate, sealed parcels containing the Technical Proposal in one and the Price Proposal in the other parcel.

### **TECHNICAL PROPOSAL – Hard Copies**

Hard Copies of the Technical Proposals shall be submitted in a sealed package. The outer wrapping shall clearly indicate the following information:

Technical Proposal – Hard Copies  
Submitted By: (Design-Build Team's Name)  
Design-Build Team Address  
Contract Number C204163  
TIP Number I-3819B / U-6039  
Iredell County

I-40 / I-77 Interchange: I-40 from SR 2003 (Radio Road) to SR 2158 (Old Mocksville Road); I-77 from SR 2171 (Jane Sowers Road) to SR 2321 (East Broad Street); and SR 2321 (East Broad Street) from Vine Street to SR 2422 (Signal Hill Drive)

If delivered by mail, the sealed envelope shall be placed in another sealed envelope and the outer envelope addressed to the Contract Officer as stated in the Request for Proposals. The outer envelope shall also bear the statement "Technical Proposal for the Design-Build of State Highway Contract No. C204163".

### Technical Proposal Requirements

12 Copies

8 ½ inch by 11 inch pages

No fold out sheets allowed – 24 inch by 36 inch fold out sheets shall only be allowed to present interchange plans in the 11 inch by 17 inch plan sheets

Printed on one side only

Double-spaced

Font size 12 - Within embedded tables, charts, and graphics only, minimal font size 10 is permissible

Excluding the introductory letter to Mr. Ronald E. Davenport, Jr., P.E. (two-page maximum length) and the 11 inch by 17 inch appropriate plan sheets, the maximum number of allowable pages shall be 50 pages.

The aforementioned introductory letter to Mr. Ronald E. Davenport, Jr., P.E. shall include a statement acknowledging that the NCDOT may destroy all Technical Proposals not retained by the Department, **or** that the NCDOT should return all Technical Proposals not retained by the Department.

Project team members, identified in the Statement of Qualifications, shall not be modified in the Technical Proposal without written approval of the Department. Any such request should be sent to the attention of Mr. Ronald E. Davenport, Jr., P.E., at the address below:

NCDOT- Contract Standards and Development  
Century Center Complex - Building B  
1020 Birch Ridge Drive  
Raleigh, NC 27610

#### **TECHNICAL PROPOSAL - Electronic Copy**

An electronic copy of the Technical Proposal shall be submitted in a sealed package. The electronic copy shall be created by converting the original MicroStation / GeoPak files into PDF format. The electronic copy shall be scaled to reproduce to the appropriate page format, as defined above. The outer wrapping shall clearly indicate the following information:



Technical Proposal – Electronic Copy  
Submitted By: (Design-Build Team's Name)  
Design-Build Team Address  
Contract Number C204163  
TIP Number I-3819B / U-6039  
Iredell County

I-40 / I-77 Interchange: I-40 from SR 2003 (Radio Road) to SR 2158  
(Old Mocksville Road); I-77 from SR 2171 (Jane Sowers Road) to SR 2321 (East Broad Street);  
and SR 2321 (East Broad Street) from Vine Street to SR 2422 (Signal Hill Drive)

If delivered by mail, the sealed envelope shall be placed in another sealed envelope and the outer envelope addressed to the Contract Officer as stated in the Request for Proposals. The outer envelope shall also bear the statement "Technical Proposal for the Design-Build of State Highway Contract No. C203970"

**PRICE PROPOSAL**

Price Proposals shall be submitted in a sealed package. The outer wrapping shall clearly indicate the following information:

Price Proposal  
Submitted by (Design-Build Team's Name)  
Design-Build Team Address  
Contract Number C204163  
TIP Number I-3819B / U-6039  
Iredell County

I-40 / I-77 Interchange: I-40 from SR 2003 (Radio Road) to SR 2158  
(Old Mocksville Road); I-77 from SR 2171 (Jane Sowers Road) to SR 2321 (East Broad Street);  
and SR 2321 (East Broad Street) from Vine Street to SR 2422 (Signal Hill Drive)

The Price Proposal shall be submitted by returning the Request for Proposals with the item sheets completed, and all required signatures and bonds. Failure to execute the required documents may render the Price Proposal non-responsive.

If delivered by mail, the sealed envelope shall be placed in another sealed envelope and the outer envelope addressed to the Contract Officer as stated in the Request for Proposals. The outer envelope shall also bear the statement "Price Proposal for the Design-Build of State Highway Contract No. C203970".

**EVALUATIONS**

Decisions based on cost alone will not establish the design standards for the project. Technical Proposals shall address the technical elements of the design and construction of the project. The Technical Review Committee will consider the understanding of the project, the anticipated problems and the solutions to those problems, in addition to other evaluation criteria identified herein.

The Design-Build Team's Technical Proposal shall be developed using narratives, tables, charts, plots, drawings and sketches as appropriate. The purpose of the Technical Proposal is to document the firm's understanding of the project, demonstrate the Team's capabilities to complete the project, document their selection of appropriate design criteria and state their approach and schedule for completing all design and construction activities.

The review of design plans by the Department is not intended to reflect a reviewer's personal preferences, but rather to ensure that all contract requirements are met, sound engineering judgment is exercised by the Design-Build Team, and that the Design-Build Team adheres to all referenced documents, including but not limited to, design standards, codes, memos and manuals. As such, the award of the Design-Build contract does not in any way imply that the NCDOT accepts the details of the Technical Proposal submitted by the Design-Build Team.

The Technical Proposal will be evaluated in each of the following major categories:

	<b>EVALUATION FACTORS</b>	<b>POINTS</b>
1.	Management	7
2.	Responsiveness to Request for Proposal	26
3.	Long Term Maintenance	5
4.	Schedule and Milestones	26
5.	Innovation	5
6.	Maintenance of Traffic and Safety Plan	26
7.	Oral Interview	5

## **TECHNICAL PROPOSAL EVALUATION CRITERIA**

### **1. Management – 7 points**

Provide a comprehensive Organizational Chart that identifies the design, quality and construction management, and the relationships with subconsultants / subcontractors. The Chart shall identify all firms and personnel changes (additions, substitutions, deletions) to the Design-Build Team since submittal of the Statement of Qualifications.

#### ***Design-Build Team Management***

- Describe the Design-Build Team's concept of design management, and identify key positions and subordinate organizational units.
- Describe how the various design disciplines will be coordinated, including how designs developed by different firms and offices will be integrated / consistent.
- Describe how design personnel will interface with the construction personnel.
- List projects, including description and similarity to the subject project that the Design-Build Team's designer(s) have developed Transportation Management Plans; Pavement Marking Plans; Traffic Signal Plans; Signal Communication Plans; Signal System Timing Plans; and Signing Plans.
- List projects, including description and similarity to the subject project, that the Design-Build Team's right of way firm has performed right of way acquisition services.

### ***Quality Management***

- Describe how the Design-Build Team will comply with the design and construction quality control requirements. Specifically, include a narrative that describes the Design-Build Team's understanding of the Department's quality control philosophy and how the Design-Build Team will implement it for this project.
- Describe any significant design and / or construction quality control issues experienced on NCDOT projects in the last ten years and how those issues will be addressed for this project.

### ***Construction Management***

- Describe the Design-Build Team's concept of the project construction management organization and how it interrelates with the other elements of the Design-Build Team's organization for the project.
- Provide a brief narrative of the Design-Build Team's proposed plan for performing construction. This description shall include at least the following:
  - Indicate if, and how, the Design-Build Team intends to divide the project into work segments to enable optimum construction performance.
  - Describe the work categories that the Design-Build Team anticipates will be performed by the Design-Build Team's own direct labor force and those categories that will be performed by subcontractors.
  - Describe the Design-Build Team's plans and procedures to insure timely deliveries of materials to achieve the project schedule.
  - Describe the Design-Build Team's approach to site access and material staging.

## **2. Responsiveness to RFP – 26 points**

### ***Natural Environmental Responsibility***

- Describe the Design-Build Team's approach to addressing environmental concerns within the project boundaries.
- Identify efforts to minimize impacts on wetlands, streams, and other environmentally sensitive areas. Describe any temporary impacts and associated minimization approaches.
- Describe the Design-Build Team's understanding of the overall approach to permitting and the Team's comfort level with obtaining the required permits within the allowed timeframe.
- Identify methods of construction in wetlands, streams and buffers.
- Describe all project / construction related Notice of Violations (NOVs) received by any team member within the last five years on projects in the United States and the disposition of each listed NOV.
- Describe the Design-Build Team's approach to Sedimentation and Erosion Control for the project.

- Describe efforts to minimize excavation within the contaminated sites and associated disturbance to underlying soil.
- Provide a narrative overview of the Design-Build Team's Vegetation Management Procedure.

### *Design Features*

- Show plan view of design concepts with key elements noted.
- Identify preliminary horizontal and vertical alignments of all roadway elements.
- Identify the appropriate design criteria for each feature, if not provided herein.
- Identify proposed design exceptions and justify why the design exception is necessary.
- Identify proposed deviations to the preliminary design provided by the Department.
- Detail impacts to the existing brick wall located on the north side of Broad Street, between Knox Street and Cynthia Street.
- Show mainline typical sections.
- Specify the mainline pavement Alternate chosen. The pavement Alternate chosen for the mainline will not be a part of the Technical proposal evaluation and the selection thereof will not impact the technical scores; although an alternate pavement design as, approved as an ATC, may be considered in the evaluation.
- Specify the base option chosen (ABC or asphalt) for all –Y- Lines, ramps, and loops.
- If applicable, specify where all underlying longitudinal joints will be located and demonstrate how these underlying longitudinal joint locations will minimize reflective cracking.
- Indicate how longitudinal joints will be located on a lane line or lane midpoint.
- Specify the proposed subgrade stabilization, or combination, with approximate limits of each type.
- Identify all hydraulically deficient storm drainage systems and the proposed mitigation on the plans.
- Provide a *Box Culverts and Cross Pipes Hydraulic Deficiency Assessment and Proposed Mitigation Table* that contains the box culvert and cross pipe attributes noted in the Hydraulics Scope of Work found elsewhere in this RFP.
- Provide a *Box Culverts and Cross Pipes Hydraulic Assessment Table* that contains the box culvert and cross pipe attributes noted in the Hydraulics Scope of Work found elsewhere in this RFP.
- Identify all hydraulically deficient storm drainage systems within the existing / proposed right of way and their proposed mitigation.
- Identify the months the Department should schedule the interagency hydraulic design review meeting and interagency permit impacts meeting.
- Discuss the extent and limits of an allowable rise in water elevation in the floodplain(s), identify potentially impacted insurable structures, specify areas anticipated to require additional surveys and estimate the anticipated additional right of way impacts outside the project construction limits.
- Identify all bridge types to be constructed, including any special design features or construction techniques needed.
- Indicate the type and number of bridge expansion joints.

- Identify types of any retaining walls and / or sound barrier walls, if applicable.
- Describe any geotechnical investigations to be performed by the Design-Build Team and note any deviations to NCDOT requirements for subsurface investigations noted in the Geotechnical Scope of Work.
- If applicable, specify the extent of impacts to properties with contaminated soils, indicating the anticipated contamination excavation limits.
- Identify any aesthetic considerations not required herein that will be part of the design.
- Describe how utility conflicts will be addressed and any special utility design considerations. Describe how the Design-Build Team's design and construction methods minimize the Department's utility relocation costs.
- Describe how the design will affect the Department's right of way costs.

### 3. Long Term Maintenance – 5 points

- Describe any special materials, not referenced elsewhere in this RFP, incorporated into the project that would result in long term reduction in maintenance.
- Describe any special designs or construction methods that would reduce future maintenance costs to the Department.
- Estimate a minimum ten-year cost saving resulting from incorporation of these special materials, design or construction methods into the project.

### 4. Schedule and Milestones – 26 points

- Provide a detailed schedule for the project including both design and construction activities. The schedule shall show the sequence and continuity of operations, as well as the month of delivery of usable segments of the project.
- Indicate the specific construction activities that will occur outside jurisdictional resources prior to obtaining the environmental permits and their anticipated start date.
- Indicate how the Design-Build Team will maintain the project schedule if the right of way acquisition process, railroad agreements and / or utility relocations are delayed.
- Identify any self-imposed liquidated damages and associated Intermediate Contract Time(s), if applicable.
- Specify the duration, in days, for ICT #5.
- Specify the duration, in hours, for ICT #6.
- The schedule shall also include the Design-Build Team's final completion date and, if proposed, their substantial completion date. **These dates shall be clearly indicated on the Project Schedule and labeled "Final Completion Date" and "Substantial Completion Date"**.

### 5. Innovation – 5 points

- Identify any aspects of the design or construction elements that the Design-Build Team considers innovative. Include a description of alternatives that were considered whether implemented or not.

## 6. Maintenance of Traffic and Safety Plan – 26 points

### *Maintenance of Traffic*

- Provide a Transportation Management Phasing Concept (TMPC).
- Describe the traffic control measures that will be used for each construction phase.
- Describe how traffic will be maintained as appropriate and describe the Design-Build Team's understanding of any time restrictions noted in the RFP.
- Specifically describe how business, school and residential access will be maintained, if applicable.
- Address how hauling will be conducted, including but not limited to, hauling of materials to and from the site and hauling of materials within NCDOT right of way.
- If a temporary portable barrier system will be utilized, provide the type and why it is needed.
- **\*\* NOTE \*\*** Deleted the I-40 and I-77 positive median cross-over protection bullet.
- If temporary shoring will be required, provide the type and why it is required.
- Include all proposed road closures, detour routes, durations, and justifications.
- Address where and how law enforcement officers will be used.
- Identify the need for a Work Zone Speed Limit Reduction Ordinance.
- Identify the need for a Speeding Penalty Ordinance.
- Describe the Design-Build Team's approach to providing the public with communication access to project personnel to inquire as to traffic impacts, including vehicular and pedestrian.
- Identify a Traffic Control Supervisor and briefly describe their qualifications for this role.

### *Safety Plan*

- Describe the safety considerations specific to the project.
- Discuss the Design-Build Team's overall approach to safety.
- Describe any proposed improvements that will be made prior to or during construction that will enhance the safety of the work force and / or travelling public both during and after the project construction.

## 7. Oral Interview – 5 points

- The Design-Build Team's Project Management Team shall present a brief introduction of the project team and design / construction approach.
- Introductory comments shall be held to no more than 30 minutes.
- The Department will use this interview to ask specific questions about the Design-Build Team's Technical Proposal, background, philosophies and project approach.
- Presentation, questions, and answers shall not exceed 90 minutes. No more than 10 people from the Design-Build Team may attend.

The Department will use the information presented in the oral interview to assist in the Technical Proposal evaluation.

### **Additional Warranty and / or Guarantee**

- **The Extra Credit for this project shall be a Maximum of 5 Points.**

A twelve-month guarantee, as outlined in the *Twelve-Month Guarantee* Project Special Provision found elsewhere in this RFP, is required for this project. However, the Design-Build Team may provide additional warranties and / or guarantees at their discretion. The Design-Build Team may be awarded additional points as “extra credit” to be added to the Technical Score.

The Design-Build Team may provide warranties and / or guarantees for major components of the project. Examples of major components are pavements, bridge components and sign structures. If additional warranties and / or guarantees are offered, the Design-Build Team shall indicate in the Technical Proposal the general terms of the warranties and / or guarantees, a list of the items covered, performance parameters, notification and response parameters for corrective action, and evaluation periods. The Department will be responsible for annual inspections of the components covered by all warranties and / or guarantees offered by the Design-Build Team that extend beyond the required Twelve-Month Guarantee. The warranties and / or guarantees shall also define how disputes will be handled. Prior to the first partial payment, the Design-Build Team shall submit a document that provides additional warranty / guarantee specifics in sufficient detail that allows the document to be made a part of the contract through supplemental agreement.

No direct payment will be made for warranties and / or guarantees. Payment will be considered incidental to the lump sum price for the contract.

### ***SELECTION PROCEDURE***

There will be a Technical Review Committee (TRC) composed of five or more senior personnel from involved engineering groups that will evaluate the Technical Proposal on the basis of the criteria provided in the Request for Proposals.

The selection of a Design-Build Team will involve both technical quality and price. The Technical Proposals will be presented to the TRC for evaluation. The TRC shall first determine whether the proposals are responsive to the requirements of the Request for Proposals. The Department reserves the right to ask for clarification on any item in the Technical Proposal. A written response to this request for clarification shall be provided to the Department prior to the opening of the Price Proposals. The contents of the written response may affect the Technical Review Committee’s determination of the Technical Proposal’s responsiveness and / or the overall evaluation of the Technical Proposal. If any commitments or clarifications provided in the written response conflict with the contents of the Technical Proposal, the contents of the written response will govern and be incorporated into the contract.

Each responsive Technical Proposal shall be evaluated based on the rating criteria provided in the Request for Proposals. The TRC will submit an overall consensus Technical Proposal score for each Design-Build Team to the State Contract Officer.

### Quality Credit Evaluation Factors for Technical Proposals

Management	7
Responsiveness to Request for Proposal	26
Long Term Maintenance	5
Schedule and Milestones	26
Innovation	5
Maintenance of Traffic and Safety Plan	26
Oral Interview	5
<b>Maximum Score</b>	<b>100</b>

The State Contract Officer will use a table based on the maximum quality credit percentage to assign a Quality Credit Percentage to each proposal based on the proposal's overall Technical Score. The maximum quality credit percentage for this project will be **20%**. The Technical Review Committee may elect to assign point values to the nearest one-half of a point (e.g. 90.5). In this event, the Quality Credit Percentage will be determined by linearly interpolating within the table entitled "Quality Credit Percentage for Technical Proposals".

### Quality Credit Percentage for Technical Proposals

Technical Score	Quality Credit (%)	Technical Score	Quality Credit (%)
100	20.00	84	9.33
99	19.33	83	8.67
98	18.67	82	8.00
97	18.00	81	7.33
96	17.33	80	6.67
95	16.67	79	6.00
94	16.00	78	5.33
93	15.33	77	4.67
92	14.67	76	4.00
91	14.00	75	3.33
90	13.33	74	2.67
89	12.67	73	2.00
88	12.00	72	1.33
87	11.33	71	0.67
86	10.67	70	0.00
85	10.00		

**The maximum Technical Score, including any extra credit given for warranties or guarantees, shall not exceed 100 points in determining the Quality Credit percentage.**

If any of the Technical Proposals are considered non-responsive, the State Contract Officer will notify those Design-Build Teams of that fact. The State Contract Officer shall publicly open the sealed Price Proposals and multiply each Design-Build Team's Price Proposal by the Quality Credit Percentage earned by the Design-Build Team's Technical Proposal to obtain the Quality Value of each Design-Build Team's Technical Proposal. The Quality Value will then be subtracted from each Design-Build Team's Price Proposal to obtain an Adjusted Price based



upon Price and Quality combined. Unless all Proposals are rejected or the Department elects to proceed with the Best and Final Offer process, the Department will recommend to the State Transportation Board that the Design-Build Team having the lowest adjusted price be awarded the contract. The cost of the Design-Build contract will be the amount received as the Price Proposal.

The following table shows an example of the calculations involved in this process.

### An Example of Calculating Quality Adjusted Price Ranking

Proposal	Technical Score	Quality Credit (%)	Price Proposal (\$)	Quality Value (\$)	Adjusted Price (\$)
A	95	16.67	3,000,000	500,100	2,499,900
B	90	13.33	2,900,000	386,570	2,513,430
C *	90	13.33	2,800,000	373,240	2,426,760
D	80	6.67	2,700,000	180,090	2,519,910
E	70	0.00	2,600,000	0	2,600,000

\* Successful Design-Build Team – Contract Cost \$2,800,000

### Opening of Price Proposals

Prior to opening the Price Proposals, the State Contract Officer will provide to each Design-Build Team their Technical Score in a sealed envelope. The sealed envelope will contain that Team's score only.

At the time and date specified, the State Contract Officer will open the Price Proposals and calculate the percentage difference between the Price Proposals submitted and the Engineer's Estimate.

Should all of the Price Proposals be within an acceptable range or below the Engineer's Estimate the State Contract Officer will proceed to calculate the quality credit and publicly read the Price Proposal, Technical Score and Adjusted Price as outlined in the selection procedure above.

Should any one or more of the Price Proposals be within an acceptable range or below the Engineer's Estimate and the remaining Price Proposals exceed an acceptable range of the Engineer's Estimate the State Contract Officer will go to a separate location to calculate the quality credit and determine if the Design-Build Team with the lowest Adjusted Price is within an acceptable range of the Engineer's Estimate. Should the Price Proposal of the Design-Build Team with the lowest Adjusted Price be within an acceptable range of the Engineer's Estimate or below the Engineer's Estimate the State Contract Officer will proceed to publicly read the Price Proposals, Technical Scores and Adjusted Prices. Should the Price Proposal of the Design-Build Team with the lowest Adjusted Price exceed an acceptable range of the Engineer's Estimate the State Contract Officer will publicly read the Price Proposals only and the Department will then determine whether to proceed to request a Best and Final Offer (BAFO) as outlined below.

Should all Price Proposals submitted exceed an acceptable range of the Engineer's Estimate the State Contract Officer will publicly read the Price Proposals only. The Department will then determine whether to proceed to request a Best and Final Offer (BAFO) as outlined below.

In the event that the Department elects to not proceed with a Best and Final Offer (BAFO), then the State Contract Officer will schedule a date and time to publicly reiterate all Price Proposals, and read all Technical Scores and Adjusted Prices.

Provided the Department elects to proceed to request a Best and Final Offer (BAFO), at the date and time specified, the State Contract Officer will open the Best and Final Offer Price Proposals and proceed to publicly read all Price Proposals, Technical Scores and Adjusted Prices.

### **Best and Final Offer**

In the event initial Price Proposals exceed an acceptable range of the Engineer's Estimate or if the Department feels it is necessary for any reason the Department may choose to make amendments to the details of the RFP and request a Best and Final Offer from all of the previously short-listed teams. Alternately, the Department may choose to redistribute to the short-listed Design-Build Teams another RFP for the project with no amendments to the RFP scope.

After receipt of the redistributed RFP, the Design-Build Team has the option of changing their Technical Proposal details. If the Design-Build Team changes any component of the Technical Proposal, the TRC will review those amended components of the Technical Proposal and reevaluate the scores accordingly. The Design-Build Team shall highlight the changes to bring them to the Department's attention. A revised total score will be calculated, if appropriate, based on these amendments to the Technical Proposal.

Additional oral interviews will not be held. The Design-Build Teams shall submit both a revised Price Proposal and a revised Technical Proposal (if applicable) at the time, place and date specified in the redistributed RFP. A revised Quality Credit Percentage (if required) and Adjusted Price will be determined. This will constitute the Design-Build Team's Best and Final Offer. Award of the project may be made to the Design-Build Team with the lowest Adjusted Price on this Best and Final Offer.

### **Stipend**

A stipulated fee of **\$75,000** will be awarded to each short-listed Design-Build Team that provides a responsive, but unsuccessful, Design-Build Proposal. If a contract award is not made, all short-listed Design-Build Teams that provide a responsive Design-Build Proposal shall receive the stipulated fee. Once award is made, or a decision is made not to award, unsuccessful Design-Build Teams can apply for the stipulated fee by notifying the State Contract Officer in writing and providing an original invoice within 60 days of Award. If the Design-Build Team accepts the stipulated fee, the Department reserves the right to use any ideas or information contained in the Design-Build Proposal and / or Alternative Technical Concepts, whether incorporated into the Design-Build Proposal or not, in connection with any contract awarded for the project, or in connection with any subsequent procurement, with no obligation to pay additional compensation to the unsuccessful Design-Build Team. The stipulated fee shall be paid to eligible Design-Build Teams within ninety days after the award of the contract or the decision not to award. Unsuccessful Design-Build Teams may elect to refuse payment of the stipulated

fee and retain any rights to its Design-Build Proposal and the ideas and information contained therein.

In the event that the Department suspends or discontinues the procurement process prior to the Design-Build Proposal submittal date current at the time of the suspension, no stipulated fee will be paid.

**ROADWAY SCOPE OF WORK** (6-19-18)

**Throughout this RFP, references to the Preliminary Roadway Plans shall denote the I-3819A Right of Way Plans, excluding the improvements constructed as part of I-3819A, and the U-6039 Design Public Meeting Map.**

**Project Details**

- Along I-40 from west of SR 2003 (Radio Road) to SR 2158 (Old Mocksville Road) and along I-77 from south of SR 2321 (East Broad Street) to south of SR 2171 (Jane Sowers Road), the Design-Build Team shall design and construct the ultimate I-40 and I-77 improvements. Unless noted otherwise elsewhere in this RFP, the Design-Build Team shall design and construct the I-40 and I-77 ultimate improvements providing the same or better access, widening, improvements and traffic measures of effectiveness, in the Department's sole discretion, included in the Preliminary Roadway Plans provided by the Department. The proposed I-40 and I-77 construction limits shall be of sufficient length to tie to existing based upon the current NCDOT guidelines and standards. The I-40 and I-77 facilities shall be designed and constructed to meet a 60-mph design speed for a rolling freeway designed to interstate standards. The Design-Build Team shall provide all other design criteria in the Technical Proposal.
- From the existing I-77 northbound ramp termini to east of SR 2422 (Signal Hill Drive), the Design-Build Team shall design and construct the SR 2321 (East Broad Street) access management improvements, as shown in the Preliminary Roadway Plans provided by the Department. Throughout the Broad Street construction limits, the Design-Build Team shall remove and replace all existing curb and gutter and sidewalk.
- The Design-Build Team will not be required to design or construct the improvements at the Old Mocksville Road / US 64 intersection. The Design-Build Team shall design and construct all other US 64 improvements, as shown on the Preliminary Roadway Plans provided by the Department.
- Along I-40 and I-77, the Design-Build Team shall design and construct minimum 14-foot outside shoulders (twelve-foot useable shoulder width plus two feet), 12-foot of which shall be full depth paved shoulders, including all acceleration, deceleration and auxiliary lanes, and ramps / loops to the back of the gore (12-foot width).
- The Design-Build Team shall design and construct a minimum 24-foot full depth paved median along I-40 and I-77. The Design-Build Team shall design and construct Type "T" double-faced concrete median barrier on the aforementioned full depth median pavement.
- For all collector-distributor roads within the mainline 30-foot clear zone, the Design-Build Team shall design and construct 1) Type "T" double faced concrete barrier between the collector-distributor road and the mainline, 2) minimum ten-foot full depth paved median shoulders between the edge of travel lane and the face of barrier, and 3) minimum 12-foot outside shoulders, four feet of which shall be full depth paved shoulder. For all collector-

distributor roads outside the mainline 30-foot clear zone, the Design-Build Team shall design and construct minimum ten-foot inside shoulders, four-foot of which shall be full depth paved shoulder, and minimum 12-foot outside shoulders, four-foot of which shall be full depth paved shoulder.

- The Design-Build Team shall design and construct one-lane ramps that provide a minimum 16-foot lane width; and two-lane ramps that provide minimum 12-foot lanes. Unless noted otherwise elsewhere in this RFP, all ramps shall have 14-foot outside shoulders, four-foot of which shall be full depth paved shoulders and 12-foot inside shoulders, four-foot of which shall be full depth paved shoulders.
- The Design-Build Team shall design and construct all directional ramps to meet a 50-mph design speed using the 0.06 maximum superelevation table. The Design-Build Team shall design and construct all bridges on directional ramps with a four-foot outside bridge rail offset and a 12-foot inside rail offset.
- The Design-Build Team shall design and construct loops that adhere to Table 3-29, *Design Widths of Pavements for Turning Roadways*, shown in the 2011 AASHTO *A Policy on Geometric Design of Highways and Streets - Case II / Condition C* for one-lane loops; Case III / Condition C for two-lane loops. All loops shall have 12-foot outside shoulders, four-foot of which shall be full depth paved shoulders. All loops shall have 2'-6" curb and gutter along the inside edge of pavement, with a 14-foot berm. Excluding the proposed loops at the Broad Street interchange, the minimum loop design shall be 30-mph with a minimum 230-foot radius.
- Unless noted otherwise elsewhere in this RFP, the Design-Build Team shall design and construct -Y- Lines, ramps, service roads, and cul-de-sacs / turnarounds providing the same or better sidewalks, access, widening, improvements and traffic measures of effectiveness, in the Department's sole discretion, included in the Preliminary Roadway Plans provided by the Department. The limits of -Y- Line construction shall be of sufficient length to tie to existing based upon the current NCDOT guidelines and standards.
- Excluding transitions required to tie to existing and / or steeper cross slopes (0.025 maximum) required to eliminate hydroplaning, the I-40 and I-77 normal crown cross slope shall be 0.02. The I-40 and I-77 crown point shall be located such that the inside lane in each direction of travel slopes towards the median and the remaining lanes slope towards the outside. Prior to the beginning of the I-40 and I-77 full typical section width, the Design-Build Team shall transition the existing pavement structure and crown point to tie to existing.
- I-40 and I-77 are full control of access facilities. The Design-Build Team shall bring to the Design-Build Unit's attention any deviations from the proposed control of access and / or right of way shown on the Preliminary Roadway Plans provided by the Department. The proposed right of way and / or control of access limits may deviate in proximity to cultural, historic, or otherwise protected landmarks, including cemeteries, to eliminate / minimize impacts. Prior to negotiating right of way, easement and / or control of access with property

owners, the Department shall accept the Right of Way Plans developed by the Design-Build Team.

- Throughout the project limits, the Design-Build Team shall remove and dispose of all existing control of access fence, excluding the control of access fence installed under the I-3819A project, and install new 48-inch chain link control of access fence. Prior to installation, the Design-Build Team shall coordinate with, and obtain approval from, the NCDOT for the control of access fence placement. Prior to Final Project Acceptance, all control of access fence throughout the project limits shall be in good condition, requiring the Design-Build Team to replace any newly installed control of access fence damaged during construction, and / or install any missing control of access fence.
- Based on the Department's preliminary design, an Interchange Access Report (IAR) is not required for I-3819B. If the Design-Build Team revises the roadway design such that an I-3819B IAR is required, the Design-Build Team shall analyze the interchange(s) and complete an I-3819B IAR for NCDOT review and approval. The Department will not honor any requests for additional contract time or compensation for any effort required to complete the aforementioned activities, including but not limited to additional design effort, additional construction effort, and / or environmental agency coordination / approvals.
- Except as required elsewhere in this RFP and / or to eliminate a design exception, the Design-Build Team shall not further impact any cultural, historical or otherwise protected landmark or topographic feature beyond that shown on the Preliminary Roadway Plans provided by the Department. Impacts to the existing brick wall located along the north side of Broad Street, between Knox Street and Cynthia Street, will be allowed, but are not preferred. The Design-Build Team shall detail the impacts to the aforementioned wall in the Technical Proposal.
- The Design-Build Team shall provide milled rumble strips along the I-40 and I-77 outside and median paved shoulders, including ramp and loop terminals, and acceleration, deceleration and auxiliary lanes, in accordance with the NCDOT *Roadway Standard Drawings*.
- For all bridges over roadways, the Design-Build Team shall submit vertical and horizontal clearance design calculations at all critical points. The Design-Build Team shall submit post construction survey points for the aforementioned critical points that verify construction adheres to the vertical and horizontal clearances accepted by the Department. The Design-Build Team shall be responsible for all costs associated with correcting vertical and horizontal clearances resulting from any construction variation from the design accepted by the Department.
- At all intersections impacted by the Design-Build Team's design and / or construction, excluding resurfacing, the Design-Build Team shall design and construct turn lanes that adhere to the greater of the following:

- All turn lane lengths shall adhere to the NCDOT minimum turn lane lengths as defined in the NCDOT *Roadway Design Manual* (Reference Section 9-1, Figure 4).
- All lengths for the turn lanes required by the XXXXX 2018 I-3819B Year 2040 No-Build and Build Traffic Operations Technical Memorandum and the November 2017 U-6039 Traffic Capacity Analysis Technical Memorandum provided by the Department shall adhere to the NCDOT Recommended Treatment for Turn Lanes. These lengths shall be determined by adding the storage length defined in the memorandums and the minimum deceleration length, as defined in the NCDOT *Roadway Design Manual* (Reference Section 9-1, Figure F-4A).
- Right turn lanes / tapers shall be provided in accordance with the NCDOT Right Turn Lane Warrants, as defined in the NCDOT *Roadway Design Manual* (Reference Section 9-1, Figure F-4C).
- For all intersection design modifications, the Design-Build Team shall provide a traffic analysis that adheres to the July 1, 2015 NCDOT *Congestion Management Capacity Analysis Guidelines* for the Department's review and acceptance.
- If the Design-Build Team elects to replace the greenway pedestrian bridge over a Tributary to Fourth Creek with a drainage structure, the Design-Build Team shall connect the severed portion of the greenway with a paved facility that matches the existing greenway typical section. (Reference the Pavement and Structures Scopes of Work found elsewhere in this RFP)
- Throughout construction areas that consist solely of pavement marking obliterations / revisions, excluding the existing concrete pavement constructed as part of the I-3819A Project, and haul roads, the Design-Build Team shall provide a uniform overlay or design and construct a resurfacing grade. Excluding haul roads, construction areas that consist solely of pavement marking obliterations / revisions that are uniformly overlaid, and the existing concrete pavement constructed as part of the I-3819A Project, the Design-Build Team shall design and construct resurfacing grades for all roadways impacted by construction. All uniform overlays and resurfacing grades shall 1) completely cover the entire pavement surface (travel lanes and paved shoulders) and 2) be extended on a one-way roadway of a divided facility, as required, to provide the same limits for both directions of travel. All resurfacing grades shall adhere to the design criteria and standards, provide all required pavement wedging and adhere to the minimum requirements noted below. For purposes of determining the required resurfacing limits only, the term "construction" below will not apply to construction areas that consist solely of pavement marking obliterations / revisions. (Reference the Pavement Management Scope of Work found elsewhere in this RFP)
- The Design-Build Team shall resurface all lanes and shoulders of an undivided facility throughout the limits of proposed widening and construction.
- **\*\*NOTE\*\* Deleted sub-bullet on resurfacing one-way roadway**

- Unless noted otherwise elsewhere in this RFP, for both divided and undivided facilities, the Design-Build Team shall resurface all lanes and shoulders within the outermost construction limits of all proposed widening and construction, including any gaps along the facility where construction activities are not required.
- Excluding the modifications required herein, the Design-Build Team shall inform the Design-Build Unit, in writing, of all proposed design revisions, including but not limited to the following:
  - The Design-Build Team shall note in the Technical Proposal any proposed deviations to the preliminary design shown on the Preliminary Roadway Plans provided by the Department. The Design-Build Team shall be responsible for all activities, as deemed necessary by the Department or the FHWA, resulting from changes to the NCDOT preliminary design, including but not limited to, public involvement, NEPA re-evaluation and / or coordination with other stakeholders. The Department shall not honor any requests for additional contract time or compensation for completion of the required activities resulting from changes to the NCDOT preliminary design.
  - After the contract has been Awarded, the Design-Build Team shall inform the Design-Build Unit, in writing, of all proposed changes to the design shown in the Technical Proposal.
  - After the Department has reviewed and accepted the Design-Build Team's design submittals, the Design-Build Team shall inform the Design-Build Unit, in writing, of any changes to previously reviewed submittals.

The proposed design revisions noted above shall be subject to the Department's review and acceptance.

- The Department prefers not to have design exceptions. Excluding locations where bridge piers, concrete barrier, or overhead sign assemblies reduce the median shoulder width to less than 11 feet, design exceptions will not be allowed for I-40 or I-70, including all ramps and loops. If the Design-Build Team anticipates any design exceptions, they shall be clearly noted in the Technical Proposal. Prior to requesting / incorporating a design exception into the Final Plans, the Design-Build Team must obtain prior conceptual approval from the Design-Build Unit. If conceptual approval is obtained, the Design-Build Team shall be responsible for the development and approval of all design exceptions.
- Prior to recording the Right of Way Plans, the Design-Build Team shall locate and install right of way markers that delineate the proposed right of way for all parcels within the project limits. The Design-Build Team will be allowed to temporarily delineate the aforementioned proposed right of way with temporary metal caps and fiberglass markers prior to recording the Right of Way Plans. However, prior to final project acceptance, the Design-Build Team shall locate and install permanent concrete right of way markers to delineate the aforementioned proposed right of way. The Design-Build Team shall remove and dispose of all metal caps and fiberglass markers used to temporarily delineate the



proposed right of way. For all parcels, the Design-Build Team shall locate and install metal caps with fiberglass markers that delineate all proposed permanent easements within the project limits. The Design-Build Team shall replace all existing right of way and permanent easement markers / monuments damaged and / or relocated during construction. In accordance with NCDOT Policy, the Department will furnish the metal caps with fiberglass markers.

- The Department will provide the February 2010 I-3819 Design Noise Report, and the April 27, 2018 I-3819B and U-6039 Preliminary Noise Wall Recommendations Memorandum that is based on the Department's preliminary design. Since the aforementioned Design Noise Report does not comply with the current Noise Policy, the Design-Build Team shall evaluate the **entire** I-3819B Project (including the existing sound barrier walls constructed under I-3819A) and develop an updated Design Noise Report (DNR) based on the plans developed by the Design-Build Team, regardless of changes to the Department's preliminary design. The updated DNR shall be developed in accordance with the NCDOT 2011 Traffic Noise Abatement Policy, and the NCDOT 2011 Traffic Noise Analysis and Abatement Manual using the 2040 Traffic Forecast; and be reviewed and accepted by NCDOT. Unless noted otherwise elsewhere in this RFP, the Design-Build Team shall include all design and construction costs for all sound barrier walls required by the accepted updated DNR, as well as all costs associated with performing any additional geotechnical investigations necessary to design the foundations, in the lump sum price bid for the entire project. However, the Design-Build Team will not be required to include any designs associated with the proposed sound barrier walls in the Technical Proposal. Prequalification under Discipline Code 441 shall be required for the firm developing the DNR.

In accordance with the Federal Highway Administration (FHWA) Guidelines located on the website noted below, the Design-Build Team shall evaluate all existing sound barrier walls within the project limits, and design and construct the resulting required noise abatement, including but not limited to retrofitting and / or replacing existing sound barrier walls. The Design-Build Team shall include all design and construction costs to lengthen existing sound barrier walls in the lump sum price bid for the entire project. In accordance with Subarticle 104-8(A) of the 2018 *Standard Specifications for Roads and Structures*, the design and construction costs to raise and / or replace an existing sound barrier wall will be paid for as extra work at the unit price of \$40.00 per square foot. All work tasks required to design and construct the additional sound barrier wall height and / or replacement sound barrier wall(s), including but not limited to traffic control, pavement, drainage, concrete barrier, geotechnical investigation and earthwork shall be considered inclusive in the aforementioned unit price. The amount of extra work shall be determined by deducting all additional sound barrier wall height and / or sound barrier wall replacement square footage required as a result of horizontal and / or vertical alignment changes to the Preliminary Roadway Plans provided by the Department from the additional sound barrier wall height and / or sound barrier wall replacement square footage required by the Department's preliminary design.

[https://www.fhwa.dot.gov/environment/noise/noise\\_barriers/abatement/existing.cfm](https://www.fhwa.dot.gov/environment/noise/noise_barriers/abatement/existing.cfm)

The Design-Build Team is cautioned that the February 2010 I-3819 DNR, and the April 27, 2018 I-3819B and U-6039 Preliminary Noise Wall Recommendations Memorandum are provided to show the general location of potential walls. Thus, as with all information provided by the Department, the 2010 I-3819 DNR and I-3819B Preliminary Noise Wall Recommendation Memorandum are provided for informational purposes only and; the Department will not honor any requests for additional contract time or compensation for any variations between the 2010 I-3819 DNR and the accepted updated DNR.

The Department will ballot all benefited receptors to determine which sound barrier walls recommended in the accepted updated DNR will be constructed. The Design-Build Team shall (1) develop and provide the information required by the Department to complete the balloting process, and (2) attend and / or speak at all balloting meetings and workshops. The Department will require four months to complete the balloting process. The Department will not honor any requests for additional contract time or compensation for the sound barrier wall construction unless the aforementioned four-month timeframe is exceeded. If time were granted, it would only be for that time exceeding the four-month period, which shall begin on the date the Department accepts the updated DNR developed by the Design-Build Team. The Design-Build shall not construct any sound barrier walls until the balloting process has been completed by the Department.

The Design-Build Team shall only credit the Department the construction cost of all sound barrier walls eliminated by the balloting process. The construction costs of all sound barrier walls eliminated solely by the balloting process shall be deducted from the lump sum amount bid for the entire project.

At all sound barrier walls, the Design-Build Team shall provide 1) a four-foot berm between the wall and fill / cut slopes steeper than 6:1 and 2) a parallel concrete ditch at locations where the final grade slopes toward the wall.

To satisfy the FHWA's Abatement Measure Reporting requirements, the Design-Build Team shall prepare and concurrently submit a summary of the sound barrier walls to be constructed on the project with the final sound barrier wall working drawings submittal. The Design-Build Team shall submit the sound barrier wall summary directly to the NCDOT Traffic Noise and Air Quality Group and include the information noted in Title 23 Code of Federal Regulations Part 772 Section 772.13(f), including but not limited to overall cost and unit cost per square foot.

## General

- Unless allowed otherwise elsewhere in this RFP, the design shall be in accordance with the 2011 AASHTO *A Policy on Geometric Design of Highways and Streets* and 2013 Errata, 2002 NCDOT *Roadway Design Manual*, including all revisions effective on the Technical Proposal submittal date, January 2018 NCDOT *Roadway Standard Drawings*, or as superseded by detail sheets located at <https://connect.ncdot.gov/resources/Specifications/Pages/2018-Roadway-Standard-Drawings.aspx>, *Roadway Design Policy and Procedure Manual*, *Roadway Design Guidelines for Design-*

*Build Projects, 2018 NCDOT Standard Specifications for Roads and Structures and the 2011 AASHTO Roadside Design Guide, 4th Edition and 2015 Errata.*

- If the NCDOT *Roadway Design Manual*, including all revisions, the 2011 AASHTO *A Policy on Geometric Design of Highways and Streets*, and 2013 Errata, the 2018 NCDOT *Roadway Standard Drawings* and / or any other guidelines, standards or policies have desirable and / or minimum values, the Design-Build Team shall use the desirable values unless noted otherwise elsewhere in this RFP. Similarly, in case of conflicting design parameters, and / or ranges, in the various resources, the proposed design shall adhere to the most conservative values, unless noted otherwise elsewhere in this RFP.
- Unless noted otherwise elsewhere in this RFP, all bridge rail offsets shall be the greater of 1) the bridge rail offsets as indicated in the NCDOT *Roadway Design Manual*, 2) the approach roadway paved shoulder width, or 3) the offset required to achieve stopping sight distance (maximum 12-foot). Narrower bridge rail offsets based on bridge length will not be allowed. The Design-Build Team will not be required to widen existing bridges solely to provide the aforementioned minimum bridge rail offsets.
- The Design-Build Team shall design and construct all depressed grass medians and raised medians in accordance with the following:
  - The minimum width of all depressed grass medians shall be 8.0'. At all locations where a depressed grass median becomes narrower than 8.0', the Design-Build Team shall design and construct a five-inch keyed-in concrete monolithic island in lieu of the depressed grass median.
  - The Design-Build Team shall install a four-inch concrete cap on all raised medians that are 8.0' wide or narrower, measured face to face from the surrounding mountable concrete curb and gutter.
  - All grass covered raised medians shall be designed and constructed with topsoil and appropriate cross slope and median drain with pipe to prevent groundwater and surface water infiltration into the subgrade and / or pavement structure. Prior to construction of the grass covered raised median and / or median drain with pipe, the Design-Build Team shall submit to the Design-Build Unit, for review and acceptance, the proposed number of drains, drain locations within the typical section, topsoil specifications and construction details. Within all proposed grass covered raised median limits, the Design-Build Team shall completely remove and dispose of the existing pavement structure.
- The Design-Build Team shall design and construct all -Y- Lines such that the through movement is not required to change lanes throughout the project limits.
- At all intersections, the Design-Build Team shall not exceed a 0.05 roll-over between the outside edge of travel lane of the primary roadway and the beginning of the proposed grade for the secondary roadway.

- Unless noted otherwise elsewhere in this RFP, all roundabouts shall adhere to the design and operation parameters as detailed in NCHRP Report 672 *Roundabouts: An Informational Guide*, Second Edition. Prior to incorporating any roundabouts, the Design-Build Team shall provide a traffic analysis of the proposed roundabout(s) utilizing the highest design year build condition traffic volume for each movement, and SIDRA Intersection 5.1 or higher analysis software, for NCDOT review and acceptance. In addition to the requirements noted above, all roundabouts shall adhere to the following:
  - The Design-Build Team shall design and construct all roundabouts to accommodate a WB-67.
  - The Department prefers that all roadway grades approaching a roundabout are 4.0% or less. Thus, justification, in the Department's sole discretion, shall be provided for all roadway approach grades that are steeper than 4.0%.
  - The Design-Build Team shall design and construct chicanes along the approach roadway when the approach roadway design speed is greater than 50 mph. The Design-Build Team will not be required to provide chicanes between roundabouts located at adjacent ramp terminals.
  - The Design-Build Team shall design and construct five-inch keyed-in monolithic concrete islands for all roundabout approach / departure channelization islands, including the chicane islands. The roundabout center island shall be capped with four inches of concrete.
  - When roundabouts are constructed at adjacent ramp terminals, the Design-Build Team shall design and construct a minimum 16-foot wide concrete median island with nine-inch offsets to each adjacent travel lane along the facility between the roundabouts. The aforementioned median island shall be a five-inch keyed-in monolithic concrete island.
  - Along the outside edge of the roundabout pavement, the Design-Build Team shall design and construct 2'-6" curb and gutter, with a minimum 10-foot berm or minimum eight-foot shoulder, four-foot of which shall be full depth paved shoulder. The 2'-6" curb and gutter or four-foot full depth paved shoulder shall extend along all approach / departing roadways to the approach / departing curve radius point. At a minimum, the Design-Build Team shall design and construct the aforementioned minimum four-foot paved shoulders through the limits of the chicanes.
  - The Design-Build Team shall design and construct minimum 18-foot travel lanes inside the roundabout.
  - The Design-Build Team shall design and construct 1'-6" mountable curb and gutter between the roundabout lane and the concrete truck apron. The Design-Build Team shall design and construct 2'-6" curb and gutter between the truck apron and the center island.

- The Design-Build Team shall design and construct all diverging diamond interchanges (DDI), in accordance with the requirements noted below:
  - Between and through the DDI crossovers, the Design-Build Team shall design and construct lane widths that accommodate a WB-67; however, the minimum lane width between and through the DDI crossovers shall be 15 feet. All approach / departure lanes to / from the crossovers shall be tapered to the crossover lane-width prior to entering / after exiting the curve approaching / departing the crossover.
  - The Design-Build Team shall design and construct lane widths for all spurs (right and left turn movements from / to the ramps) that accommodate a WB-67; however, the minimum spur lane width shall be 15 feet. All approach / departure ramp lanes to / from the spurs shall be tapered to the spur lane width prior to entering / after exiting the spur. Regardless of the spur lane width, all spur alignments shall be located 15 feet from the outside edge of travel lane.
  - The four ramp channelization islands shall be raised grass islands bordered with 2'-6" curb and gutter. Within the aforementioned ramp channelization islands, the Design-Build Team shall provide a minimum five-foot wide pedestrian accommodation that accesses the pedestrian median accommodation noted below.
  - Between the DDI crossovers, the Design-Build Team shall provide a minimum ten-foot wide pedestrian accommodation within the -Y- Line median. Along both sides of the aforementioned ten-foot pedestrian accommodation, the Design-Build Team shall provide barrier (2'-6" concrete dual flat-faced barrier with metal handrail and no glare screen) that extends a minimum of 42" above the walking surface. The barrier shall meet AASHTO Manual for Assessing Safety Hardware, TL-2 crash test requirements and terminate with a ten-foot taper that reduces the barrier height to 2'-3". Excluding within the aforementioned ten-foot taper, the handrail shall be installed in accordance with the 10-30-2013 Proposed Pedestrian Safety Rail Detail provided by the Department.
  - The curves approaching / departing the crossovers shall slope from the median to the outside at a 0.02 cross slope.
- Unless noted otherwise elsewhere in this RFP, the maximum allowable cut and fill slope shall be 2:1. (Reference the Geotechnical Scope of Work found elsewhere in this RFP) The slopes in the interchange area shall follow the requirements set forth in the *Roadway Design Guidelines for Design-Build Projects* located on the Design-Build website.
- Outside the project limits, the Design-Build Team will not be allowed to use the NCDOT right of way and / or property for borrow or waste sites. Within the project limits, the Design-Build Team shall adhere to the following:
  - Only clean waste material may be wasted within the NCDOT right of way or property.

- Excluding crushed concrete, debris shall not be buried within the NCDOT right of way or property.
- Normal grading operations shall occur, including but not limited to, removal of the existing embankments supporting all removed roadway sections.
- Unless noted otherwise elsewhere in this RFP, all guardrail / guiderail placement shall be in accordance with the January 2018 NCDOT *Roadway Standard Drawings* and / or approved details in lieu of standards. Along all 3:1 fill slopes, constructed at fill heights that are equal to or greater than 12 feet, the Design-Build Team shall install guardrail. Along all fill slopes steeper than 3:1, constructed at fill heights that are equal to or greater than six feet, the Design-Build Team shall install guardrail. Throughout the project limits, the Design-Build Team shall upgrade all existing guardrail in accordance with the aforementioned requirements. The guardrail / guiderail design shall be submitted for review with the Preliminary Plans submittal.
- The Design-Build Team shall design and construct all retaining walls a minimum of ten-foot inside the right of way.
- The total outside shoulder width for all facilities with defined usable shoulders shall equal the usable shoulder plus two feet.
- The Design-Build Team shall provide continuous single face concrete barrier between two segments of single face concrete barrier when 1) the two segments are less than 300 feet apart, and 2) guardrail would be required between the two segments.
- At all locations where back to back single face concrete barrier is provided, including but not limited to bridge piers and sign supports, the Design-Build Team shall fill the area between the single face concrete barriers with gravel and cap with four inches of concrete.
- The Design-Build Team shall be responsible for the evaluation of the algebraic difference in rates of cross slope (roll-over) between existing shoulders and roadways and the associated suitability for carrying traffic during construction, if necessary. In the event that the roll-over is found to be unacceptable for the proposed temporary traffic patterns, the Design-Build Team shall be responsible for providing cross slopes that meet design standards and eliminate roll-over concerns.
- Unless noted otherwise elsewhere in this RFP, the design speed for all roadways shall be the greater of the minimum design speed for the facility type, as specified in the 2011 AASHTO *A Policy on Geometric Design of Highways and Streets*, or the anticipated / actual posted speed plus five mph. If a speed limit is not physically posted on an existing facility, General Statutes mandate the speed limit as 55 mph, resulting in a 60 mph design speed.
- At all intersections with restricted movements impacted by the Design-Build Team's design and / or construction methods, excluding resurfacing, the Design-Build Team shall provide

five-inch keyed-in concrete monolithic channelization islands, regardless of the island dimensions. (Reference Roadway Standard Drawing No. 852.01)

- At all -Y- Line / -Y- Line intersection radius points, including service roads, the minimum -Y- Line pavement width shall be 30 feet.
- At all intersections impacted by the Design-Build Team's design and / or construction methods, excluding resurfacing, the following design vehicles shall be required for all turning movements:
  - WB-67 at all ramp / loop intersections with -Y- Lines (For side-by-side turning maneuvers, WB-67 for the outside movement only and SU-30 for inside movement)
  - WB-62 at all other intersections (For side-by-side turning maneuvers, WB-62 for the outside movement only and SU-30 for inside movement)
- At all intersections, with existing pedestrian facilities, impacted by the Design-Build Team's design and / or construction methods, the Design-Build Team shall retrofit / upgrade all existing substandard curb ramps.
- The Design-Build Team shall submit Structure Recommendations and Design Criteria for NCDOT review and acceptance prior to the Preliminary Roadway Plans submittal. The Design-Build Team shall develop Structure Recommendations that adhere to the format noted in the March 25, 2003 and September 1, 2004 memos from Mr. Jay Bennett, PE, former State Roadway Design Engineer.
- Within the vehicle recovery area, the Design-Build Team shall design and construct single face concrete barrier in front of the traffic face of all sound barrier walls, retaining walls and all elements acting as retaining walls. The aforementioned concrete barrier shall be located 1) beyond the typical section shoulder point and / or 2) a minimum of 12-foot behind the face of curb and gutter, requiring the Design-Build Team to widen the outside shoulder / berm beyond the typical section width.
- Unless noted otherwise elsewhere in this RFP, the Design-Build Team shall design and construct all lane drops from the outside travel way.
- A sag vertical curve low point will not be allowed on any proposed bridge or approach slab.
- Excluding grades required to tie to existing, the minimum longitudinal grade shall be 0.30%.
- The Department has followed a modified Merger Process used by the Environmental Agencies and the Department to obtain environmental permits. Any variations in the Department's proposed design and / or construction methods that nullify any decisions reached between the Department and the Environmental Agencies; and / or require additional coordination with the Environmental Agencies shall be the sole responsibility of the Design-Build Team. The Department will not allow any contract time extensions or additional

compensation associated with any coordination or approval process resulting from design and / or construction modifications.

- Excluding parcels restricted by Control of Access and undeveloped parcels, the Design-Build Team shall design and construct a minimum of one driveway per parcel. The Design-Build Team shall design and construct all driveways that adhere to the NCDOT *Policy on Street and Driveway Access to North Carolina Highways* and the minimum requirements noted below. Excluding the maximum grade requirement, if the NCDOT *Policy on Street and Driveway Access to North Carolina Highways* and the requirements noted below have conflicting design parameters, the proposed design shall adhere to the aforementioned Policy:
  - The Design-Build Team shall provide horizontal and vertical alignments for all driveways that require 100 feet or longer to tie to existing.
  - Excluding grades required to tie to existing, the maximum driveway grade shall be 10.0%.
  - For shoulder sections, the minimum driveway turnout for residential and commercial properties shall be 16'-0" and 24'-0", respectively, or the existing width, whichever is greater.
  - For curb and gutter sections, the minimum driveway turnout for residential and commercial properties shall be 20'-0" and 28'-0", respectively, or the existing width, whichever is greater.
- The Design-Build Team shall contact Mr. Gary W. Thompson, North Carolina Geodetic Survey Director, prior to disturbing any geodetic monument.
- The project shall follow the NCDOT-FHWA Oversight Agreement. This agreement will be provided. Any changes that affect previous approvals shall be re-submitted by the Design-Build Team for FHWA acceptance.
- The Design-Build Team shall identify the need for any special roadway design details (i.e. any special drainage structures, rock embankment, rock plating, special guardrail, retaining walls, concrete barrier designs, etc.) and shall provide special design drawings. The Contract Standards and Development Unit may have special details available that can be provided to the Design-Build Team upon request.
- A 4:1 back slope shall extend from the back of the expressway gutter to the clear zone limit. Beyond that, a maximum 2:1 cut slope will be acceptable. The expressway gutter centerline shall be located at the hinge / shoulder point. Expressway gutter shall not be installed in fill sections. Expressway gutter shall only be used to minimize impacts to existing structures, and / or cultural, historical or otherwise protected landmarks or topographic features.
- Shoulder berm gutter shall not be installed in cut sections.



- Unless noted otherwise elsewhere in this RFP, the Design-Build Team shall provide cul-de-sacs on all roads that are dead-ended. The Design-Build Team shall design and construct all cul-de-sacs with a minimum 30-foot radius.
- At all locations with paved shoulders that extend beyond the typical width (i.e. to the face of single face barrier and guardrail, edge of expressway / shoulder berm gutter, etc.), the Design-Build Team shall taper the wider paved shoulder width to the typical paved shoulder width using an 8:1 taper. (Reference the Pavement Management Scope of Work found elsewhere in this RFP)
- Cut and fill slope transitions shall not exceed one increment (e.g. 3:1 to 4:1) per 50 feet.
- The Design-Build Team shall design and construct horizontal and vertical curves at all Points of Intersections (PIs) on the horizontal and vertical alignments, respectively.
- All paved shoulders shall be tapered at 8:1 to the existing pavement at tie-in points.

### **NCDOT Information Supplied**

- The NCDOT will provide copies of the I-3819 Environmental Assessment (EA), I-3819 Finding of No Significant Impacts (FONSI), I-3819 Project Environmental Consultation Form, U-6039 Categorical Exclusion Type I-A (CE-1A), and the latest list of environmental commitments, municipal agreements and all pertinent approvals and correspondence. Unless noted otherwise elsewhere in this RFP, the Design-Build Team shall adhere to all commitments stated in the environmental documents.
- The NCDOT will provide electronic surveys to the Design-Build Team. Any supplemental surveys, including but not limited to additional topography, existing and proposed roadway, structure sites, underground and overhead utilities, existing and proposed drainage, wetland delineation, right of way, parcel names, and deed research and descriptions shall be the responsibility of the Design-Build Team to acquire and process. The Design-Build Team shall modify / incorporate boundary information used for the determination and valuation of property solely under the direct supervision of a Professional Land Surveyor registered in North Carolina. Known existing utilities have been located and will be included with the survey data. The Design-Build Team shall be responsible for confirming the location of the utilities and the type / size of facilities. All supplemental Subsurface Utility Engineering (SUE) work shall be the responsibility of the Design-Build Team.
- The NCDOT will provide the I-3819A Right of Way Plans and U-6039 Design Public Meeting Map. The Design-Build Team is cautioned that the preliminary designs shown on these Plans / Map are provided solely to assist the Design-Build Team in the development of the project design. The Design-Build Team shall be fully and totally responsible for the accuracy and completeness of the project design, including, but not limited to, the use of the NCDOT's design, the use of portions of the NCDOT's design or modifications to the NCDOT's design.

- The NCDOT will provide the I-3819A, I-3819B and U-6039 electronic design files.
- The NCDOT will provide final pavement designs for I-3819B and U-6039. The Design-Build Team shall be responsible for all temporary pavement designs. (Reference the Pavement Management Scope of Work found elsewhere in this RFP)
- The NCDOT will provide a Geotechnical Subsurface Investigation for I-3819B and U-6039. The Design-Build Team shall be responsible for any additional geotechnical information, all geotechnical recommendations, as well as supplemental structural and roadway investigations. (Reference the Geotechnical Engineering Scope of Work found elsewhere in this RFP)

**ENVIRONMENTAL PERMITS SCOPE OF WORK** (7-16-18)**General**

The Design-Build Team shall be responsible for preparing all documents necessary for the Department to obtain the environmental permits required for the project construction. Permit applications shall be required for the: US Army Corps of Engineers (USACE) Section 404 Permit and NC Department of Environmental Quality (DEQ) Division of Water Resources (NCDWR) Section 401 Water Quality Certification.

Unless allowed otherwise elsewhere in this RFP, the Design-Build Team shall not begin ground-disturbing activities, including utility relocation in jurisdictional areas, until the environmental permits have been issued (this does not include investigative borings covered under a Nationwide Permit No. 6 and utility relocation work outside jurisdictional resources noted below).

The Design-Build Team shall coordinate with the Design-Build Unit to determine if a Preconstruction Notification (PCN) is required for the Nationwide Permit No. 6. If a PCN is required, the Design-Build Team shall submit all necessary documents and forms to the Design-Build Unit for submittal to the appropriate agencies and shall not perform any geotechnical investigative work within the jurisdictional resource(s) requiring a PCN prior to obtaining the required approval. If a PCN is not required, the Design-Build Team may proceed with geotechnical investigations within jurisdictional resources, provided all of the Nationwide Permit No. 6 General Conditions are followed.

The Design-Build Team may begin construction activities prior to obtaining the aforementioned permits provided that (1) the Department has reviewed and accepted the appropriate design submittal(s); (2) the Department is notified in writing and provides written approval prior to beginning work; and (3) such activities are outside jurisdictional resources. The Design-Build Team is encouraged to advance as many construction activities as possible outside jurisdictional resources prior to issuance of the environmental permits. The Design-Build Team shall indicate the specific construction activities that will occur outside jurisdictional resources prior to obtaining the environmental permits and their anticipated start date in the Technical Proposal.

The Design-Build Team may begin utility relocation work prior to obtaining the aforementioned permits provided that (1) the Department is notified in writing and provides written approval prior to beginning work; (2) such activities are outside jurisdictional resources and; (3) a meeting is held with the Department and permitting agencies prior to beginning work, if necessary.

There will be no direct contact between the Design-Build Team and representatives of the environmental agencies. No contact between the Design-Build Team and the environmental agencies shall be allowed either by phone, e-mail or in person, without representatives of the Department's Environmental Analysis Unit (EAU) - Environment Coordination and Permitting Group (ECAP), or the Division's Environmental Officer (DEO) present. A representative from the Design-Build Unit shall be included on all correspondence.

Project I-3819B / U-6039 is not in the Merger Process used by the environmental agencies and the Department to obtain environmental permits. On Non-Merger Projects, the Department has committed to coordination efforts with the environmental agencies. Thus, the Design-Build Team shall participate and present information for an interagency hydraulic design review meeting and an interagency permit impacts meeting. These meetings shall adhere to the Concurrence Point 4B and Concurrence Point 4C requirements of the Merger Process used by the environmental agencies and the Department to obtain environmental permits. Specifically, the Design-Build Team shall follow the appropriate details in the document titled “Section 404 / NEPA Merger Process Information” which can be found at the website noted below:

**<https://connect.ncdot.gov/resources/Environmental/Pages/Merger-Process-Guide.aspx>**

Unless stipulated otherwise in the Technical Proposal, the Department will schedule the interagency hydraulic design review meeting and the interagency permit impacts meeting for February 2019 and May 2019, respectively. The Design Build Team shall clearly identify in their Technical Proposal what months they would like the Department to schedule these meetings. Failure on the part of the Design-Build Team to meet these dates shall place all responsibility for delays resulting from missing these dates solely in the hands of the Design-Build Team.

Unless noted otherwise elsewhere in this RFP, the Design-Build Team shall be bound by the terms of all signed planning documents, and approved minutes and commitments of all interagency meetings. The Design-Build Team shall be held accountable for meeting all permit conditions. The Design-Build Team shall be required to staff any personnel necessary to provide permit compliance.

Unless noted otherwise elsewhere in this RFP, the Department will not honor any requests for additional contract time or compensation for any efforts required in order to obtain any permit or permit modification, including but not limited to public involvement, additional design effort, additional construction effort, and / or additional environmental agency coordination and approvals.

### **Permit Application Process and Timeframe for all Permits except the Nationwide Permit No. 6 for Geotechnical Investigations**

It shall be the Design-Build Team's responsibility to acquire information and prepare permit drawings that reflect the impacts and minimization efforts resulting from the aforementioned interagency hydraulic design review meeting and interagency permit impacts meeting, and from the project as designed by the Design-Build Team. Further, it shall be the Design-Build Team's responsibility to provide these permit impact sheets (drawings) depicting the design and construction details to the Department as part of the permit application. The Design-Build Team shall be responsible for developing the permit application for all jurisdictional impacts. The permit application shall include all utility relocations required by the project. At a minimum, the permit application shall consist of the following:

- Cover Letter
- Minutes from the interagency hydraulic design review meeting and interagency permit impacts meeting
- Stormwater Management Plan
- Permit drawings with and without contours and, if necessary, utility drawings with and without contours
- Wetland Permit Impact Summary Sheets
- Half-size plans
- Completed forms (Section 404 ENG 4345, etc.) appropriate for impacts
- Division of Mitigation Services Acceptance Letter
- Mitigation Plan (if required by the Design-build Team's design and / or construction methods)

The Department will re-verify and update, as needed, the required environmental data that expires prior to permit issuance. These include, but are not limited to, federally protected species, re-verification of wetland jurisdictional areas, historic and archaeological sites, and 303d (impaired) streams.

Excluding the Nationwide Permit No. 6 for geotechnical investigations, the Design-Build Team shall submit one permit application package for the entire project (which shall require a separate application for I-3819B and U-6039). The Design-Build Team shall not submit multiple applications to develop a "staged permitting" process to expedite construction activities in a phased fashion.

Direct coordination between the Design-Build Team, the Design-Build Unit, Resident Engineer, Division Environmental Officer (DEO) and the Department's Environmental Analysis Unit (EAU) shall be necessary to ensure proper permit application development. Upon completion of the permit application package, the Design-Build Team shall concurrently forward the package to the Design-Build Unit, Resident Engineer, Division Environmental Officer (DEO), Hydraulics Unit and EAU for review and approval. After all revisions are complete, the Department will subsequently forward the permit application package to the appropriate environmental agencies.

Any temporary construction measures, including de-watering, construction access, etc. shall be addressed in the permit application. Impacts that result from so-called temporary measures may not be judged to be temporary impacts by the environmental agencies. These issues shall be addressed by the Design-Build Team and reviewed by EAU prior to the interagency hydraulic design review meeting and the interagency permit impacts meeting; and resolved with the environmental agencies during the aforementioned meetings.

The Design-Build Team shall clearly indicate the location of and impacts of haul roads and utility relocations in jurisdictional areas. The Design-Build Team shall also identify all proposed borrow and waste sites. Further, the Design-Build Team shall describe the construction methods for all structures. The temporary impact descriptions (haul roads, utility relocations, work bridges, etc.) shall include restoration plans, schedules and disposal plans. The aforementioned information, descriptions and details shall be presented during the interagency hydraulic design

review meeting and the interagency permit impacts meeting, and be included in the permit application.

The NCDOT hereby commits to ensuring, to the greatest extent practicable, that the footprint of the impacts in areas under the jurisdiction of the Federal Clean Water Act will not be increased during the Design-Build effort. In accordance with the Department of Water Resources' NCG 010000, all fill material shall be stabilized and maintained to prevent sediment from entering adjacent waters or wetlands. The Design-Build Team shall be responsible for ensuring that the design and construction of the project will not impair the movement of aquatic life.

Requests made for modifications to the permits obtained by the Design-Build Team shall only be allowed if the Engineer determines it to be in the best interest of the Department and shall be strongly discouraged. The Design-Build Team shall not take an iterative approach to hydraulic design issues. Prior to submitting the permit application package, the hydraulic design shall be complete and accepted by the Department.

### **Permit Timeframe**

The Design-Build Team should expect it to take up to 11 months to accurately and adequately complete all designs necessary for the permit application, submit the permit application package to the Department, and obtain permit approvals from the environmental agencies. Environmental agency review time will be approximately 120 days from receipt of a "complete" permit application package. No requests for additional contract time or compensation will be allowed if the permits are obtained within this 11-month period. The Department will consider requests for contract time extensions for obtaining the permits only if the Design-Build Team has pursued the work with due diligence, the delay is beyond the Team's control, and the 11-month period has been exceeded. If time were granted, it would be only for that time exceeding the 11-month period. This 11-month period is considered to begin on the Date of Availability as noted elsewhere in the RFP.

The Design-Build Team is advised herein that the approximate timeframes listed above for the NCDWR and the USACE to review a permit application begin only after a fully complete and 100% accurate submittal.

### **Mitigation Responsibilities of the Design-Build Team**

The Design-Build Team shall make efforts to avoid and minimize impacts to the existing mitigation site in the northeast quadrant of the I-77 / I-40 interchange as much as possible. Any direct impacts to streams and wetlands in this area as a result of the I-3819B design and / or construction methods shall be mitigated for under I-3819B. Any loss of credits for I-3819A from impacts to the aforementioned mitigation site will be coordinated by EAU and the permitting agencies under the I-3819A Project. However, in accordance with the requirements noted below, the Design-Build Team shall be responsible for the cost of acquiring the replacement suitable compensatory mitigation.

As required by the NEPA Process and the USACE / EPA Section 404 (b)(1) Guidelines, to offset potential wetland and surface water impacts, the Department has reviewed the roadway project corridor for potential on-site mitigation opportunities. Since no on-site mitigation opportunities were identified, the Department has acquired the compensatory mitigation for unavoidable impacts to wetlands and surface waters due to the project construction from the NC Division of Mitigation Services. This amount of mitigation acquired was based on impacts, as identified in the Department's preliminary design.

Any changes proposed by the Design-Build Team to any design or construction details provided by the Department shall be approved by the Department prior to being submitted to the environmental agencies for their approval.

Should additional jurisdictional impacts result from revised design and / or construction methods to the extent that the final total mitigation exceeds the total mitigation required for the Department's preliminary design, suitable compensatory mitigation for wetlands and / or surface waters shall be the sole responsibility of the Design-Build Team. Therefore, it is important to note that additional mitigation will have to be approved by the environmental agencies and such approval shall require, at a minimum, the preparation and approval of a Mitigation Plan before permits are approved. To mitigate for these additional jurisdictional impacts, the Design-Build Team shall be responsible for all costs associated with acquiring suitable mitigation. Construction of any on-site mitigation shall be performed by a contractor that has successfully constructed similar on-site mitigation. In the absence of suitable on-site mitigation, the Design-Build Team shall be responsible for all costs associated with acquiring additional mitigation from the NC Division of Mitigation Services or an approved compensatory mitigation banking resource.

The Design-Build Team shall analyze all new areas to be impacted that have not been analyzed during the NEPA Process, including but not limited to borrow sites, waste sites, haul roads and staging areas that are located outside the project right of way. This analysis shall include performing all environmental assessments. These assessments shall require the Design-Build Team to engage the services of an NCDOT prequalified environmental consultant to conduct a full environmental investigation to include, but not be limited to, Federally Listed Threatened and Endangered Species, wetlands, streams, avoidance and minimization in jurisdictional areas, compensatory mitigation, FEMA compliance, and historical, archaeological, and cultural resources surveys in these areas. The environmental consultant shall obtain concurrence through EAU, from the U.S. Fish & Wildlife Service, to document compliance with Section 7 of the *Endangered Species Act* for those species requiring such concurrence. In addition, the Design-Build Team shall identify additional mitigation required, identify the amount of time beyond the aforementioned 11-month period, and fulfill all other requirements that the environmental agencies impose to obtain the permit. Any contract time extensions resulting from additional environmental assessments required by the Design-Build Team's design and / or construction methods impacting areas outside those previously analyzed through the NEPA Process shall be solely at the Department's discretion.

## **Commitments**

The NCDOT is committed to incorporating all reasonable and practicable design features to avoid and minimize wetland and surface water impacts; and to provide full compensatory mitigation of all remaining wetland and surface water impacts. Avoidance measures were taken during the planning and NEPA Process and minimization measures were incorporated as part of the preliminary design provided by the Department. The Design-Build Team shall incorporate these avoidance and minimization features, plus any minimization identified during the interagency hydraulic design review meeting and the interagency permit impacts meetings, into the design and / or construction methods at no additional cost or contract time extension.

All work by the Design-Build Team must be accomplished in strict compliance with the plans submitted with the permit application and in compliance with all conditions of the permits and certifications issued by the environmental agencies. The Design-Build Team shall provide each of its contractors and / or agents associated with the construction or maintenance of this project with a copy of the permits and certifications.

Unless noted otherwise elsewhere in this RFP, the Design-Build Team shall strictly adhere to these commitments, as well as others, including but not limited to, those included in the I-3819 Environmental Assessment (EA), I-3819 Finding of No Significant Impact (FONSI), U-6039 Categorical Exclusion Type I-A (CE-1A), Right of Way / Construction Consultations, all permits, all interagency meetings, and all site visits.

If the Design-Build Team discovers any previously undocumented historic or archaeological resources while conducting the authorized work, they shall immediately suspend activities in that area and notify, in writing, the NCDOT Archaeology Supervisor and NCDOT Project Development Engineer, as listed below, who will initiate any required State / Federal coordination after a timely initial assessment. The Design-Build Team shall also immediately notify a representative from the Design-Build Unit. Inadvertent or accidental discovery of human remains shall be handled in accordance with North Carolina General Statutes 65 and 70. All questions regarding these discoveries shall be addressed to Mr. Matthew Wilkerson, NCDOT Archaeology Group Leader at (919) 707-6089, or Ahmad Al-Sharawneh, NCDOT Project Development Engineer at (919) 707-6010.



**EROSION AND SEDIMENTATION CONTROL SCOPE OF WORK** (7-16-18)

The NCDOT Roadside Environmental Unit shall review and accept all Erosion and Sedimentation Control Plans. Clearing & Grubbing and Final Grade Release for Construction (RFC) Erosion Control Plans shall be submitted to all NCDOT personnel listed in the Design-Build Submittal Guidelines before **any** land disturbing activities, including clearing and grubbing, can commence. If the Design-Build Team chooses to perform the work in discrete sections, then a complete set of Clearing & Grubbing and Final Grade RFC Erosion Control Plans shall be submitted, accepted, and distributed, as noted above, prior to land disturbing activities, including clearing and grubbing, commencing in that section. No land disturbing activities, including clearing and grubbing, shall occur in any location that does not have accepted Clearing & Grubbing and Final Grade RFC Erosion Control Plans. Refer to the most recent versions of the NCDOT *Erosion and Sediment Control Design and Construction Manual* and the NCDEQ - *Erosion and Sediment Control Planning and Design Manual* for erosion control design guidelines not addressed in this Scope of Work.

To ensure adherence with the August 1, 2016 NCG-010000 General Construction Permit, issued by the North Carolina Department of Environmental Quality, Division of Water Resources, the Design-Build Team shall formally submit a project-wide Vegetation Management Procedure for the Department's review and acceptance prior to any land disturbing activities. After this initial review, the Design-Build Team shall concurrently provide the Resident Engineer and Roadside Environmental Field Operations Engineer updated versions of the Vegetation Management Procedure on a monthly basis. These updated versions will not require formal submittal to the Design-Build Unit, but will be subject to review comments by the aforementioned field personnel. All versions of the Vegetation Management Procedure shall include, but not be limited to, 1) provisions for the early establishment of grasses / vegetation, 2) provisions for obtaining the required 80% permanent vegetation stand, as defined in the August 1, 2016 NCG-010000 General Construction Permit and in accordance with the *Permanent Vegetation Establishment* Project Special Provision found elsewhere in this RFP, by the project final completion date, and 3) procedure and schedule details for fertilizer topdressing, supplemental seeding, mowing and repair seeding. The Vegetation Management Procedure shall be closely coordinated with the grading and hauling operations. The Design-Build Team shall provide a narrative overview of the Vegetation Management Procedure in the Technical Proposal.

From the beginning through the end of construction, the Design-Build Team shall maintain comprehensive "red-line" As-Constructed Drawings that detail when and where permanent / temporary / repair seeding and fertilizer topdressing have been performed.

Erosion and Sedimentation Control Plans shall at a minimum address the following:

**I. Complete Set of Plans****A. Clearing and Grubbing Phase**

1. Use correct NCDOT symbology.

2. Protect existing drainage structure inlets with Rock Inlet Sediment Trap Type 'A' (RIST-A), Rock Inlet Sediment Trap Type 'C' (RIST-C), Rock Pipe Inlet Sediment Trap Type 'A' (PIST-A), etc.
3. Utilize adequate perimeter controls (temporary silt ditches (TSD), temporary silt fence (TSF), etc.).
4. Clean Water Diversions (CWD) shall not be used to divert offsite runoff through the project construction limits.
5. Utilize skimmer basins and rock measures with sediment control stone (Temporary Rock Sediment Dam Type 'B' (TRSD-B), Temporary Rock Silt Check Type 'A' (TRSC-A), etc.) at drainage outlets.
6. Take into account topography and show existing contour lines on Clearing & Grubbing Plans only.
7. Utilize Temporary Rock Silt Checks Type 'B' (TRSC-B) or wattles to reduce velocity in existing ditches with spacing of 250 feet divided by percentage of ditch grade. Also utilize TRSC-B's in proposed TSD's and temporary diversions (TD).
8. Protect existing streams; do not place erosion control devices in live streams unless permitted by the Division of Water Resources 401 Certification and the Army Corps of Engineers 404 Permit.
9. Sediment basins shall be sized to provide adequate silt storage for 3600 cubic feet per disturbed acre with surface area equal to 435 square feet per cubic foot per second (cfs) of the peak inflow rate, Q10, using 10-year peak rainfall data (NCDEQ - *Erosion and Sediment Control Planning and Design Manual* or NOAA's National Weather Service website <http://dipper.nws.noaa.gov/hdsc/pfds/> for partial duration (ARI) time series type). A Sediment Basin Designer Spreadsheet will be provided by the NCDOT Roadside Environmental Unit upon request.
10. Skimmer Basins shall be sized to provide adequate silt storage for 1800 cubic feet per disturbed acre with surface area equal to 325 square feet per cubic foot per second (cfs) of the peak inflow rate, Q10, using the 10-year peak rainfall data (NCDEQ - *Erosion and Sediment Control Planning and Design Manual* or NOAA's National Weather Service website <http://dipper.nws.noaa.gov/hdsc/pfds/> for partial duration (ARI) time series type). Skimmer Basins shall be designed to dewater in two to three days. A Skimmer Basin Designer Spreadsheet will be provided by the NCDOT Roadside Environmental Unit upon request.
11. Design Riser Basins to the following standards:
  - a. Surface Area shall be determined by Equation A (sq. feet) = Q10 (cfs) \* 435.
  - b. Volume requirement shall be 1800 cubic feet per disturbed acre draining to the riser basin.
  - c. Riser Pipe shall have a cross-sectional area 1.5 times that of the barrel pipe.
  - d. The riser pipe shall be non-perforated with a skimmer attached to the bottom of the pipe, one foot from the bottom of the basin.
  - e. See NCDEQ - *Erosion and Sediment Control Planning and Design Manual* for additional design criteria.
12. The minimum and maximum length to width ratio of all Sediment Basins shall be 2:1 and 6:1, respectively.
13. Coir Fiber Baffles shall be installed in all silt basins and sediment dams at drainage outlets. For silt basins with a 20-foot or longer length, three Coir Fiber Baffles shall

be installed with a spacing of 1/4 the basin length. For silt basins with a length less than 20 feet, a minimum of two Coir Fiber Baffles shall be installed, with a spacing of 1/3 the basin length. The Design-Build Team will not be required to show the individual baffles on the Erosion Control Plans, but shall be required to incorporate the Coir Fiber Baffle Detail on the Erosion Control Plans.

14. Include any culvert and / or pipe construction sequence plan sheets in the Clearing & Grubbing Plans; all pipes 48 inches or larger, or any combination of pipes that total 48 inches or more shall require a construction sequence. Prior to installation of pipes smaller than 48 inches in jurisdictional areas, the Design-Build Team shall submit a phasing plan for managing the watercourse to the Resident Engineer for review and acceptance. The phasing plan shall be in accordance with the *Best Management Practices for Construction and Maintenance Activities*.
15. During construction, provide temporary sediment basins that dewater from the surface at all permanent stormwater devices.
16. Utilize Coir Fiber Wattles with Polyacrylamide (PAM) and / or TRSC-As with Matting and PAM in temporary and permanent, existing and proposed ditches at a spacing of 50 feet in areas where sediment basins are not feasible at drainage outlets and in areas where sediment basins at drainage outlets with sediment traps (i.e. PIST-A, RIST-A, etc.), cannot be properly sized to surface area and / or sediment storage requirements due to safety concerns, right of way restrictions, utility conflicts, or other construction limitations approved by the NCDOT Roadside Environmental Unit.
17. Place a device utilizing PAM at all sediment basin inlets.
18. At a maximum spacing of 200 feet, and as directed, utilize Special Sediment Control Fence drainage breaks in silt fence.
19. Do not place erosion control devices that require excavation (i.e. sediment basins, silt ditches, etc.) in wetlands.
20. Within the entire project limits, provide disturbed and undisturbed drainage areas in MicroStation Format.
21. For all drainage outlets where the runoff cannot be treated with a sediment basin and / or the sediment basin cannot be constructed to the required sediment storage or surface area requirements, provide a written explanation.
22. Excluding perimeter Sediment Basins that will function only during Clearing and Grubbing operations, all perimeter Sediment Basins shall be placed outside of fill slopes.

#### B. Final Grade Phase

1. Use correct NCDOT symbology.
2. Protect existing and proposed drainage structure inlets with RIST-A, RIST-C, PIST-A, etc.
3. Utilize adequate perimeter controls (TSD, TSF, etc.).
4. Clean Water Diversions (CWD) shall not be used to divert offsite runoff through the project construction limits.

5. Utilize TRSC-B's or wattles to reduce velocity in existing and proposed ditches with spacing of 250 feet divided by percentage of ditch grade. Also utilize TRSC-B's in proposed TSD's and TD's.
6. Utilize temporary slope drains and earth berms at top of fill slopes eight feet or higher and a fill slope steeper than 4:1, or where there are superelevations above 0.04 and fills are greater than five feet. Maximum slope drain spacing shall be 200 feet.
7. Utilize a rock energy dissipater at the outlet of all slope drains.
8. Devices at all drainage turnouts shall utilize skimmer or sediment control stone (TRSD-B, TRSC-A, etc.) and a spillway with an adequately designed base length to distribute outflow.
9. Sediment basins shall be sized to provide adequate silt storage for 3600 cubic feet per disturbed acre with surface area equal to 435 square feet per cubic foot per second (cfs) of the peak inflow rate, Q10, using 10-year peak rainfall data (NCDEQ - *Erosion and Sediment Control Planning and Design Manual* or NOAA's National Weather Service website <http://dipper.nws.noaa.gov/hdsc/pfds/> for partial duration (ARI) time series type). A Sediment Basin Designer Spreadsheet will be provided by NCDOT Roadside Environmental Unit upon request.
10. Skimmer Basins shall be sized to provide adequate silt storage for 1800 cubic feet per disturbed acre with surface area equal to 325 square feet per cubic foot per second (cfs) of the peak inflow rate, Q10, using the 10-year peak rainfall data (NCDEQ - *Erosion and Sediment Control Planning and Design Manual* or NOAA's National Weather Service website <http://dipper.nws.noaa.gov/hdsc/pfds/> for partial duration (ARI) time series type). Skimmer Basins shall be designed to dewater in two to three days. A Skimmer Basin Designer Spreadsheet will be provided by the NCDOT Roadside Environmental Unit upon request.
11. Design Riser Basins to the following standards:
  - a. Surface Area shall be determined by Equation A (sq. feet) = Q10 (cfs) \* 435.
  - b. Volume requirement shall be 1800 cubic feet per disturbed acre draining to the riser basin.
  - c. Riser Pipe shall have a cross-sectional area 1.5 times that of the barrel pipe.
  - d. The riser pipe shall be non-perforated with a skimmer attached to the bottom of the pipe, one foot from the bottom of the basin.
  - e. See NCDEQ - *Erosion and Sediment Control Planning and Design Manual* for additional design criteria.
12. Provide matting for erosion control in all ditch lines, including but not limited to temporary ditch lines (TDs) utilized to divert offsite runoff around construction areas, where the velocity is greater than 2.0 feet / sec, and the shear stress is 1.55 psf or less. For ditch lines with a shear stress above 1.55 psf, Permanent Soil Reinforcement Mat or Rip Rap shall be utilized.
13. Unless otherwise approved by the Roadside Environmental Field Operations Engineer, provide matting for erosion control on all slopes (cut and fill) that are steeper than 4:1 and a height of eight feet or greater.
14. Along all slopes (cut and fill) that are 30 feet or higher, place parallel rows of 12-inch Excelsior Wattles at a spacing height of 20 feet.

15. The minimum and maximum length to width ratio of all Sediment Basins shall be 2:1 and 6:1, respectively.
16. Coir Fiber Baffles shall be installed in all silt basins and sediment dams at drainage outlets. For silt basins with a 20-foot or longer length, three Coir Fiber Baffles shall be installed with a spacing of 1/4 the basin length. For silt basins with a length less than 20 feet, a minimum of two Coir Fiber Baffles shall be installed, with a spacing of 1/3 the basin length. The Design-Build Team will not be required to show the individual baffles on the Erosion Control Plans, but shall be required to incorporate the Coir Fiber Baffle Detail on the Erosion Control Plans.
17. During construction, provide temporary sediment basins that dewater from the surface at all permanent stormwater devices.
18. Utilize Coir Fiber Wattles with Polyacrylamide (PAM) and / or TRSC-As with matting and PAM in temporary and permanent, existing and proposed ditches at a spacing of 50 feet in areas where sediment basins are not feasible at drainage outlets, and in areas where sediment basins at drainage outlets with sediment traps (i.e. PIST-A, RIST-A, etc.) cannot be properly sized to surface area and / or sediment storage requirements due to safety concerns, right of way restrictions, utility conflicts, or other construction limitations approved by the NCDOT Roadside Environmental Unit.
19. Place a device utilizing PAM at all sediment basin inlets.
20. At a maximum spacing of 200 feet, and as directed, utilize Special Sediment Control Fence drainage breaks in silt fence.
21. Do not place erosion control devices that require excavation (i.e. sediment basins, silt ditches, etc.) in wetlands.
22. Within the entire project limits, provide disturbed and undisturbed drainage areas in MicroStation Format.
23. For all drainage outlets where the runoff cannot be treated with a sediment basin and / or the sediment basin cannot be constructed to the required sediment storage or surface area requirements, provide a written explanation.
24. All perimeter Sediment Basins shall be placed outside of fill slopes.

### C. Intermediate Phase

Intermediate Erosion Control Plans shall only be required if design modifications and / or site conditions require additional erosion control design or design revisions to the RFC Clearing and Grubbing and / or RFC Final Grade Erosion Control Plans. Intermediate Plans shall be submitted for review and shall be accepted prior to construction of any aspect impacted by the revised erosion control design. For any intermediate phase, comply with Section B, "Final Grade Phase" above.

## II. Detail Sheets and Notes

- A. Provide project specific special notes and details, including but not limited to, skimmer basin, coir fiber wattle with Polyacrylamide (PAM), etc.
- B. Provide matting summary sheet(s): matting for erosion control, permanent soil reinforcement mat, and coir fiber mat.

- C. Provide reforestation sheet(s): regular, wetland, streambank and / or buffer showing appropriate species.

### III. Title Sheet

- A. Show correct notes: NCG-01, HQW, ESA, clearing and grubbing, etc.
- B. Show correct standards for project
- C. List of standard NCDOT symbology
- D. Show name and certification number of Level III certified individual responsible for designing and / or reviewing Erosion and Sedimentation Control Plans
- E. Show name of primary NCDOT Roadside Environmental Unit Erosion and Sedimentation Control Plan reviewer

### IV. Special Provisions

- A. Erosion Control Special Provisions are available at the following website:  
<https://connect.ncdot.gov/resources/roadside/Pages/Soil-Water.aspx>
- B. References in Erosion Control Special Provisions from the aforementioned website to Method of Measurement, Basis of Payment, or any other statement regarding direct payment for Erosion & Sediment Control measures shall be disregarded.
- C. *Erosion & Sediment Control / Stormwater Certification* Project Special Provision found elsewhere in this RFP.

### V. Miscellaneous

- A. Plan submittals shall include all pertinent design information required for review, such as design calculations, drainage areas, etc.
- B. The NCDOT Roadside Environmental Unit will provide a sample set of Erosion and Sedimentation Control Plans (including any special details or special provisions used by the NCDOT Roadside Environmental Unit) and MicroStation Erosion Control Workspace to the Design-Build Team for reference upon request.
- C. Plans shall address any environmental issues raised during the permitting process.
- D. The Design-Build Team shall allow sufficient time in the proposed schedule to address any comments to the Erosion and Sedimentation Control Plans, as deemed necessary by the NCDOT Roadside Environmental Unit.
- E. Temporary access and haul roads, other than public roads, constructed or used in connection with the project shall be considered a part of the project and addressed in the Erosion and Sedimentation Control Plans. Temporary access and haul roads located within the footprint and / or the right of way / easement corridor of the project shall be part of the highway Erosion and Sedimentation Control Plans. Temporary access and haul roads associated with borrow pits and staging areas shall be included in the Reclamation Plan.
- F. At a minimum, the Design-Build Team shall install Floating Turbidity Curtain at ponds, lakes, and other jurisdictional standing water bodies 1) where construction activities

create surface fill impacts or 2) where sufficient erosion and sediment control devices cannot be installed to contain sediment and / or turbidity impacts.

- G. To contain concrete waste water and associated concrete mix from washing out ready-mix trucks, drums, pumps, or other equipment, provide Concrete Washout Structures at egress points. Concrete Washout Structures must collect and retain all concrete waste water and solids so that this material does not migrate to surface waters or into the ground water. The Concrete Washout Structures are not intended for concrete waste not associated with washout operations. The Concrete Washout Structures may include devices above or below ground and / or commercially available devices designed specifically to capture concrete waste water. Concrete Washout Structure options may be found in the special provision, available at the website noted in Section IV above. For construction details of an above grade and below grade Concrete Washout Structure, reference the website noted below:

**[https://connect.ncdot.gov/resources/roadside/SoilWaterDocuments/  
ConcreteWashoutStructure.pdf](https://connect.ncdot.gov/resources/roadside/SoilWaterDocuments/ConcreteWashoutStructure.pdf)**

- H. Borrow or waste areas that are part of the project shall require a separate Reclamation Plan, unless the borrow or waste activity is regulated under the *Mining Act of 1971*, or is a landfill regulated by the NCDEQ - Division of Waste Management (DWM). For newly created borrow pit(s) that require dewatering, Borrow Pit(s) Dewatering Basins shall be required and shall be in accordance with the applicable special provisions available at the website noted in Section IV above. The Design-Build Team shall submit the location and permit number for waste / borrow sites covered by the aforementioned Mining Act or regulated by the NCDEQ - DWM concurrently to the Design-Build Unit and the Resident Engineer. For Reclamation Procedures, see:

**[https://connect.ncdot.gov/resources/roadside/FieldOperationsDocuments/  
/ContractedReclamationProcedures.pdf](https://connect.ncdot.gov/resources/roadside/FieldOperationsDocuments/ContractedReclamationProcedures.pdf)**

- I. Whenever the Engineer determines that significant erosion and sedimentation continues despite the installation of approved protective practices, the Design-Build Team shall be required to, and shall, take additional protective action.
- J. An accepted Erosion and Sedimentation Control Plan shall not exempt the Design-Build Team from making every effort to contain sediment onsite.
- K. Any Erosion Control Design revision made during the construction of the project shall be submitted to NCDOT Roadside Environmental Unit by the 15<sup>th</sup> of the month via the Design-Build Unit. At any time requested by the Engineer or the NCDOT Roadside Environmental Unit, the Design-Build Team shall provide an updated version of the Erosion and Sedimentation Control Plans for distribution to all parties involved in the construction process.
- L. The Design-Build Team shall comply with the North Carolina Administrative Code *Title 15A Environmental Quality Chapter 4, Sedimentation Control*.
- M. A pre-submittal meeting shall take place between the NCDOT Roadside Environmental Unit Soil & Water Engineering Section, the Design-Build Team, and any other pertinent NCDOT personnel before any Erosion and Sedimentation Control Designs are submitted to NCDOT Roadside Environmental Unit. Erosion and Sedimentation Control Plan

submittals shall only be reviewed and accepted by NCDOT Roadside Environmental Unit after the Erosion and Sedimentation Control Pre-Submittal Meeting. The Design-Build Team shall be required to submit a tentative Erosion and Sedimentation Control Plan submittal schedule at the pre-submittal meeting.

- N. At a minimum, the Design-Build Team shall bring one erosion control plan sheet with a Clearing & Grubbing erosion control design to the Erosion and Sedimentation Control Pre-Submittal Meeting.
- O. All RFC Erosion and Sedimentation Control Plans, including any red line revisions, shall be kept on site at all times throughout the duration of the project.
- P. Immediately after the clearing and grubbing erosion control measures have been installed for the entire project, or for individual sections if the Design-Build Team has divided the project into construction segments, the Design-Build Team's erosion and sedimentation control designer shall field verify constructed dimensions and installation of all erosion control devices. After this initial inspection(s), the aforementioned designer shall review the project conditions a minimum of every 30 days during the heavy grading operations, and as directed by the Engineer, to verify the field conditions of disturbed areas draining to erosion control devices and to ensure that the erosion control devices provide the current field condition requirements for sediment storage and surface area. During construction, the NCDOT may conduct separate field inspections of the project conditions and the erosion control devices. The erosion and sedimentation control designer shall make appropriate design revisions to the Clearing and Grubbing, Intermediate Erosion Control Plans and / or Final Grade Erosion Control Plans resulting from / required by the Design-Build Team and / or the Departmental field inspections for the Department's review and acceptance, in accordance with the Design-Build Submittal Guidelines. The Design-Build Team shall concurrently provide written documentation of all field verifications / inspections performed by the Design-Build Team to the NCDOT Roadside Environmental Unit, Soil and Water Engineering and Field Operations Section, and the Resident Engineer. At a minimum, this documentation shall detail what was observed during the field verification / inspection and all resulting required actions with a timeframe for implementation. When the project conditions no longer warrant, in the sole discretion of the Department, inspections by the erosion and sedimentation control designer may cease.
- Q. The Design-Build Team's erosion and sedimentation control designer shall submit design calculations, for the Department's review and acceptance, for all modifications to the Erosion and Sedimentation Control Plans that result in dimension modifications and / or relocations, other than minor shifts to accurately place, to the devices noted below:
- Riser Basin
  - Skimmer Basin and all devices with Skimmers
  - Temporary Rock Sediment Dam Type A
  - Temporary Rock Sediment Dam Type B
  - Temporary Rock Silt Check Type A
  - Culvert Construction Sequences
  - Temporary and Permanent Stream Channel Relocations



- R. Erosion & Sediment Control / Stormwater Certification shall be required according to the Project Special Provision found elsewhere in this RFP.
- S. Prior to installation of any erosion control devices, the Design-Build Team shall verify boundaries of jurisdictional areas in the field and delineate with Safety Fence or flagging. For guidance on Safety Fence and flagging in jurisdictional areas, see:

**<https://connect.ncdot.gov/resources/roadside/Pages/Field-Operations-Documents.aspx>**

- T. Once RFC Erosion and Sedimentation Control Plans are issued, any major design change or addition, any change that involves calculations, and any addition, deletion, or relocation of a sediment basin shall be submitted to the NCDOT Roadside Environmental Unit, via the Design-Build Unit, for review and acceptance. Minor changes such as moving silt fence, adding or moving temporary ditches (unless adding new runoff flow to a sediment basin), and adding or moving slope drains shall be reviewed by the Engineer in the field.
- U. All erosion control measures with stone extending beyond the construction limits shall be considered temporary fill. If impacted wetland areas are permitted as Hand Clearing, then the aforementioned temporary fill shall be permitted as Temporary Fill in Hand Cleared Areas for Erosion Control. (Reference the Environmental Permits Scope of Work found elsewhere in this RFP)
- V. Sediment basins that drain directly into jurisdictional water or have a total drainage area of one acre or more shall be designed and constructed with outlet structures that only withdraw water from the surface. For sediment basins that do not drain directly into jurisdictional water or have less than one acre of total drainage area, surface dewatering outlets or stone outlets may be provided.
- W. In accordance with the requirements noted herein, the Design-Build Team shall be responsible for erosion control design, plans, plan implementation and maintenance of erosion control measures for all utility installation and relocation work performed by the Design-Build Team. To ensure that the Design-Build Team's erosion control designs, plan implementation and / or maintenance of erosion control measures do not conflict with the erosion control design, plan implementation and / or maintenance of erosion control measures for utility installation and / or relocation work performed by others, the Design-Build Team shall coordinate with the utility companies performing Utilities by Others (UBO) work.
- X. Ground Cover Stabilization Requirements - NCG010000 (7 - 14 Days)

Ground cover stabilization shall comply with the timeframe guidelines specified by the North Carolina Department of Environmental Quality, Division of Water Resources NCG-010000 General Construction Permit that became effective on August 1, 2016. Excluding the slopes noted below, temporary and permanent ground cover stabilization shall be provided within seven calendar days from the last land-disturbing activity. The Design-Build Team shall label all slopes subject to the seven-day ground cover stabilization requirements on all Erosion and Sedimentation Control Plans submitted to the Department for review and acceptance.

For the slopes noted below, temporary and / or permanent ground cover stabilization shall be provided within 14 calendar days from the last land-disturbing activity:

- Slopes between 2:1 and 3:1, with a slope length of ten feet or less
- Slopes 3:1 or flatter, with a slope length of 50 feet or less
- Slopes 4:1 or flatter

Temporary and / or permanent ground cover stabilization shall be provided in accordance with the provisions in this RFP, the Vegetation Management Procedure developed by the Design-Build Team and the August 1, 2016 NCG-010000 General Construction Permit.

#### Y. Additional Ground Cover Stabilization Requirements

Once the Design-Build Team identifies the area for stabilization due to inactivity, the Design-Build Team shall obtain concurrence from the Engineer and adhere to the following options based on the estimated amount of time the area will remain inactive. If the area stabilized exceeds the estimated timeframe, the Design-Build Team shall implement the next level of stabilization as directed by the Engineer.

All application rates noted below are in pounds per acre.

#### **Short Term Stabilization - For areas that will remain inactive for up to 21 days**

Erodible areas shall be stabilized utilizing non-vegetative cover. Non-vegetative cover options include straw mulch, hydraulic applied erosion control products or rolled erosion control products. If straw mulch is used, it shall provide 100% groundcover and be tacked sufficiently to hold the mulch in place for the duration of the inactive period. All other methods shall be installed according to the manufacturer's directions.

#### **Mid-Term Stabilization -For areas that will remain inactive for up to 90 days**

Erodible areas shall be stabilized utilizing the following stabilization protocol:

##### **August 1 - June 1**

50# Rye Grain  
500# Fertilizer  
4000# Limestone

##### **May 1 - September 1**

50# German or Browntop Millet  
500# Fertilizer  
4000# Limestone

At the Engineer's sole discretion, the use of limestone on sandy soils that require topsoil for stabilization may be eliminated. The Design-Build Team shall consult with, and obtain written approval from, the NCDOT Roadside Environmental Unit prior to eliminating limestone.

Upon obtaining written approval from the Engineer, the Design-Build Team may use wood mulch and / or ground clearing and grubbing debris as an option for

Mid-Term Stabilization. If approved, the aforementioned mulch and / or debris shall be installed at a thickness that prevents erosion.

**Long Term Stabilization - For areas that will remain inactive for more than 91 days**

Erodible areas shall be stabilized utilizing the following stabilization protocol:

**All Roadway Areas**

**August 1 – June 1**

20# Kentucky Bluegrass Cultivars \*  
75# Hard Fescue Cultivars \*\*  
35# Bermuda (unhulled)  
25# Rye Grain  
500# Fertilizer  
4000# Limestone

**May 1 – September 1**

20# Kentucky Bluegrass Cultivars \*  
75# Hard Fescue Cultivars \*\*  
25# Bermuda (hulled)  
10# German or Browntop Millet  
500# Fertilizer  
4000# Limestone

**Riparian and Wetland Locations**

**August 1 – June 1**

18# Creeping Red Fescue Cultivars \*\*\*  
6# Indiangrass  
8# Big Bluestem  
4# Switchgrass  
35# Rye Grain  
500# Fertilizer  
4000# Limestone

**May 1 – September 1**

18# Creeping Red Fescue Cultivars \*\*\*  
6# Indiangrass  
8# Big Bluestem  
4# Switchgrass  
25# German or Browntop Millet  
500# Fertilizer  
4000# Limestone

**Areas Beyond the Mowing Pattern, Waste and Borrow Areas**

**August 1 – June 1**

100# Tall Fescue Cultivars \*\*\*\*  
15# Kentucky Bluegrass Cultivars \*  
30# Hard Fescue Cultivars \*\*  
35# Bermuda (unhulled)  
25# Rye Grain  
500# Fertilizer  
4000# Limestone

**May 1 – September 1**

100# Tall Fescue Cultivars \*\*\*\*  
15# Kentucky Bluegrass Cultivars \*  
30# Hard Fescue Cultivars \*\*  
25# Bermuda (hulled)  
10# German or Browntop Millet  
500# Fertilizer  
4000# Limestone

**\* Approved Kentucky Bluegrass Cultivars**

4-Season	Blue Velvet	Gladstone	Quantum Leap
Alexa II	Blueberry	Granite	Rambo
America	Boomerang	Hampton	Rhapsody
Apollo	Brilliant	Harmonie	Rhythm
Arcadia	Cabernet	Impact	Rita
Aries	Champagne	Jefferson	Royce
Armada	Champlain	Juliet	Rubicon
Arrow	Chicago II	Jump Start	Rugby II
Arrowhead	Corsair	Keeneland	Shiraz
Aura	Courtyard	Langara	Showcase
Avid	Delight	Liberator	Skye
Award	Diva	Madison	Solar Eclipse
Awesome	Dynamo	Mercury	Sonoma
Bandera	Eagleton	Midnight	Sorbonne
Barduke	Emblem	Midnight II	Starburst
Barnique	Empire	Moon Shadow	Sudden Impact
Baroness	Envicta	Moonlight SLT	Total Eclipse
Barrister	Everest	Mystere	Touche
Barvette HGT	Everglade	Nu Destiny	Tsunami
Bedazzled	Excursion	NuChicago	Unique
Belissimo	Freedom II	NuGlade	Valor
Bewitched	Freedom III	Odyssey	Voyager II
Beyond	Front Page	Perfection	Washington
Blacksburg II	Futurity	Pinot	Zinfandel
Blackstone	Gaelic	Princeton 105	
Blue Note	Ginney II	Prosperity	

**\*\* Approved Hard Fescue Cultivars**

Aurora II	Eureka II	Oxford	Scaldis II
Aurora Gold	Firefly	Reliant II	Spartan II
Berkshire	Granite	Reliant IV	Stonehenge
Bighorn GT	Heron	Rescue 911	
Chariot	Nordic	Rhino	

**\*\*\* Approved Creeping Red Fescue Cultivars**

Aberdeen	Boreal	Epic	Cindy Lou
----------	--------	------	-----------

**\*\*\*\* Approved Tall Fescue Cultivars**

06 Dust	Escalade	Justice	Serengeti
2 <sup>nd</sup> Millennium	Essential	Kalahari	Shelby
3 <sup>rd</sup> Millennium	Evergreen 2	Kitty Hawk 2000	Sheridan
Apache III	Falcon IV	Legitimate	Signia
Avenger	Falcon NG	Lexington	Silver Hawk
Barlexas	Falcon V	LSD	Sliverstar
Barlexas II	Faith	Magellan	Shenandoah Elite
Bar Fa	Fat Cat	Matador	Sidewinder
Barrera	Festnova	Millennium SRP	Skyline
Barrington	Fidelity	Monet	Solara
Barrobusto	Finelawn Elite	Mustang 4	Southern Choice II
Barvado	Finelawn Xpress	Ninja 2	Speedway
Biltmore	Finesse II	Ol' Glory	Spyder LS
Bingo	Firebird	Olympic Gold	Sunset Gold
Bizem	Firecracker LS	Padre	Taccoa
Blackwatch	Firenza	Patagonia	Tanzania
Blade Runner II	Five Point	Pedigree	Trio
Bonsai	Focus	Picasso	Tahoe II
Braveheart	Forte	Piedmont	Talladega
Bravo	Garrison	Plantation	Tarheel
Bullseye	Gazelle II	Proseeds 5301	Terrano
Cannavaro	Gold Medallion	Prospect	Titan ltd
Catalyst	Grande 3	Pure Gold	Titanium LS
Cayenne	Greenbrooks	Quest	Tracer
Cessane Rz	Greenkeeper	Raptor II	Traverse SRP
Chipper	Gremlin	Rebel Exeda	Tulsa Time
Cochise IV	Greystone	Rebel Sentry	Turbo
Constitution	Guardian 21	Rebel IV	Turbo RZ
Corgi	Guardian 41	Regiment II	Tuxedo RZ
Corona	Hemi	Regenerate	Ultimate
Coyote	Honky Tonk	Rendition	Venture
Darlington	Hot Rod	Rhambler 2 SRP	Umbrella
Davinci	Hunter	Rembrandt	Van Gogh
Desire	Inferno	Reunion	Watchdog
Dominion	Innovator	Riverside	Wolfpack II
Dynamic	Integrity	RNP	Xtremegreen
Dynasty	Jaguar 3	Rocket	
Endeavor	Jamboree	Scorpion	

From January 1 – December 31, the Design-Build Team shall apply an additional 20# of Sericea Lespedeza on cut and fill slopes 2:1 or steeper.

Fertilizer shall be 10-20-20 analysis or a different analysis that provides a 1-2-2 ratio applied at a rate that provides the same amount of plant food as a 10-20-20 analysis and as directed.

### **Soil Analysis**

If vegetation establishment indicates a deficiency in soil nutrients or an incurred pH level is present, the Design-Build Team shall take soil samples and apply additional soil amendments to the affected area and as directed.

### **Fertilizer Topdressing**

In accordance with the requirements noted below, the Design-Build Team shall apply a minimum of one Fertilizer Topdressing application to all permanently seeded areas immediately prior to completion of the project, twice during every growing season from April 1<sup>st</sup> through September 30<sup>th</sup>, and at other times as directed.

Fertilizer used for topdressing shall be 10-20-20 analysis applied at a rate of 500 pounds per acre; or a different analysis that provides a 1-2-2 ratio applied at a rate that provides the same amount of plant food as a 10-20-20 analysis and as directed.

Fertilizer used for waste and borrow areas shall be 16-8-8 grade applied at a rate of 500 pounds per acre; or a different analysis that provides a 2-1-1 ratio applied at a rate that provides the same amount of plant food as a 16-8-8 analysis and as directed.

### **Supplemental Seeding**

For all supplemental seeding, the kinds of seed and proportions shall be the same as specified above for *Long Term Stabilization*. The rate of application for supplemental seeding shall be between 25# to 75# per acre. Prior to topdressing, the Design-Build Team shall determine the actual rate per acre for supplemental seeding and submit the supplemental seeding rate and areas to the Department for review and acceptance.

To prevent disturbance of existing vegetation, minimum tillage equipment, consisting of a sod seeder, shall be used to incorporate seed into the soil where degree of slope allows. Where degree of slope prevents the use of a sod seeder, a clodbuster (ball and chain) may be used.

### **Mowing**

The minimum mowing height shall be six inches.

## **EROSION CONTROL COORDINATION MEETINGS**

### **Preliminary Construction Meeting**

Prior to any land disturbing activity, the Engineer will schedule a meeting with Division construction personnel, Design-Build Team senior management, Design-Build Team project staff, NCDOT project staff, consultant engineering / inspection staff, NCDOT Construction Unit, NCDOT Roadside Environmental Unit, Land Quality, Department of Water Resources and any other party associated with activities that impact the overall effectiveness of the project's erosion control.

During this meeting, the attendees shall review the Design-Build Traffic Control Plans and Erosion and Sedimentation Control Plans, and identify potential erosion control issues. All attendees will provide comments, recommendations and supportive information to help facilitate resolution to the aforementioned potential erosion control issues.

### **Construction Meetings**

Once construction begins, the Engineer will schedule monthly meetings to review the erosion control status. All parties listed above for the Preliminary Construction Meeting shall participate in these monthly construction meetings.

During the construction meetings, the erosion control efforts / issues to date will be reviewed and discussed. Additionally, the upcoming construction phases will be reviewed to identify potential erosion control issues. After the construction meeting, a project review may occur to identify site specific issues and identify solutions. The Design-Build Team shall be responsible for all actions, corrections and / or resolutions resulting from the construction meetings and / or subsequent site visits.

The NCDOT senior management will discuss issues that are repeatedly identified on inspection reports and / or discussed during the construction meetings with the Design-Build Team's senior management.

If project activities do not change the erosion control status / conditions, the Engineer may elect to change the construction meeting frequency or cancel a meeting.

## **EROSION CONTROL DAMAGES**

The Design-Build Team shall observe and comply with Federal and State Laws, Local Laws, Ordinances, and Regulations; as well as Orders and Decrees of Bodies having any jurisdiction or authority in accordance with Section 107 of the 2018 NCDOT *Standard Specifications for Roads and Structures*.

The Design-Build Team shall take all reasonable precautions to comply with all regulations of all authorities having jurisdiction over public and private land governing the protection of erosion and sedimentation. Any fines, remediation required or charges levied against the

Department for failing to comply with all rules and regulations concerning erosion and sediment control, due to the Design-Build Team's negligence, carelessness, or failure to implement the Erosion and Sedimentation Control Plans and Specifications; or failure to maintain an approved Storm Water Pollution Prevention Plan (SWPPP), regardless of absence of neglect, shall be deducted from monies due the Design-Build Team. In addition to said fines, remediation required, or charges levied, any associated engineering costs or actions taken by the Department in order for the Department to comply with rules and regulations, as a result of the Design-Build Team's negligence, carelessness, or failure to implement the Erosion and Sedimentation Control Plans and Specifications; and / or the SWPPP, regardless of absence of neglect, shall be deducted from the monies due to the Design-Build Team.



**GEOENVIRONMENTAL SCOPE OF WORK** (2-7-18)**I. DEFINITION**

For the purpose of this Scope of Work, contamination / contaminants are defined as any substance that when discharged in any quantity may present an imminent and substantial danger to the public health or welfare. Petroleum is defined as any petroleum-derived product of any kind and in any form, including but not limited to, crude oil, diesel fuel, fuel oil, gasoline, lubrication oil, oil refuse, oil mixed with other waste, oil sludge, petroleum related products or by-products, and all other liquid hydrocarbons, regardless of specific gravity, whether occurring singly or in combination with other substances.

**II. DESCRIPTION OF WORK**

Sites of concern were identified in the *Revised GeoEnvironmental Impact Evaluation* for I-3819. After submittal of the Right of Way / 60% Roadway Plans developed by the Design-Build Team, the Design-Build Team shall hold a right of way consultation with the Department's GeoEnvironmental staff, Design-Build Unit, and key Design-Build team members.

Sites of concern within the proposed right of way that are noted in the *Revised GeoEnvironmental Impact Evaluation*, and any other sites identified during the right of way consultation with the Design-Build Team, will be investigated by the Department. The Department shall require 90 days from the date of the aforementioned consultation to investigate and provide Right of Way Recommendations. The Right of Way Recommendations shall be completed prior to the Design-Build Team making offers to purchase the right of way on these sites of concern.

The Design-Build Team shall notify the Design-Build Unit, in writing, of any underground storage tanks (USTs) containing fuel, chemicals, or heating oil tanks discovered during property appraisals. The Department will require 90 days from the date of written notification to investigate and provide Right of Way Recommendations. The Right of Way Recommendations shall be completed prior to the Design-Build Team making offers to purchase the right of way on sites containing USTs.

The Design-Build Team shall adhere to all Right of Way Unit procedures regarding the acquisition of contaminated property and all Right of Way Recommendations provided by the Department. (Reference the Right of Way Scope of Work found elsewhere in this RFP) After the parcels with identified contamination and / or underground storage tanks (USTs) are acquired and cleared of all above ground structures, the Department will 1) remove from the right of way USTs identified in *Revised GeoEnvironmental Impact Evaluation* and discovered during the property appraisals, and 2) remove all associated contaminated soil anticipated to require excavation to complete the project. The Department will remove the aforementioned USTs and contaminated soil within 60 days of written notification that the above-ground structures have been removed. All contaminated soil not required for removal to complete the project shall be left in place and undisturbed.

If groundwater is encountered and dewatering is required in areas of known contamination, the Design-Build Team shall containerize the groundwater in vessels provided by the Department. The Department will be responsible for the sampling and disposal of the water.

It is important to note that petroleum contaminated soil may be encountered during any earthwork activity on this project.

### **III. INFORMATION PROVIDED BY NCDOT**

- *Revised GeoEnvironmental Impact Evaluation*

### **IV. UNKNOWN CONTAMINATED SITES**

The Design-Build Team shall immediately notify the Department if the Design-Build Team's operations encounter or expose any abnormal condition that may indicate the presence of a hazardous, contaminated, and / or toxic material not previously identified. If the Engineer elects to have the Design-Build Team remove and dispose of contaminated material, the removal and disposal of this material shall be performed as extra work in accordance with Article 107-25 of the 2018 NCDOT *Standard Specifications for Roads and Structures*.

**GEOTECHNICAL ENGINEERING SCOPE OF WORK** (7-16-18)**I. GENERAL**

All geotechnical data, tests, computations and supporting subsurface investigations and documentation submitted by the Design-Build Team shall be provided in English Units.

Obtain the services of a firm prequalified for geotechnical work by the NCDOT Geotechnical Engineering Unit at:

**<https://partner.ncdot.gov/VendorDirectory/default.html>**

The prequalified geotechnical firm shall prepare foundation design recommendation reports for use in designing structure foundations, roadway foundations, retaining walls, sound barrier foundations, and overhead sign structure foundations, and temporary structures.

The Engineer of Record who prepares the foundation design recommendation reports shall be a Professional Engineer registered in the State of North Carolina who has completed a minimum of three geotechnical design projects of scope and complexity similar to that anticipated for this project using the load and resistance factor design (LRFD) method and in accordance with the latest edition of the AASHTO *LRFD Bridge Design Specification*.

The prequalified geotechnical firm shall also determine if additional subsurface information, other than that required and noted elsewhere in this RFP, is required based upon the subsurface information provided by the NCDOT and the final roadway and structure designs. If a determination is made additional subsurface information is required; the Design-Build Team shall use a prequalified geotechnical firm to perform all additional subsurface investigation and laboratory testing in accordance with the current NCDOT Geotechnical Engineering Unit *Guidelines and Procedures Manual for Subsurface Investigations*. Submit additional information collected by the Design-Build Team to the Geotechnical Engineering Unit, via the Design-Build Unit, for review and acceptance. The Design-Build Team shall provide the final Subsurface Investigation report in electronic and hardcopy format to the NCDOT for its records.

Unless noted otherwise herein, the Design-Build Team shall design foundations (except for sign foundations), embankments, slopes, retaining walls, and sound barrier walls in accordance with the current edition of the AASHTO *LRFD Bridge Design Specifications*, NCDOT *LRFD Driven Pile Foundation Design Policy*, all applicable NCDOT Geotechnical Engineering Unit Standard Provisions, NCDOT *Structures Management Unit Manual* and NCDOT *Roadway Design Manual*. The NCDOT *LRFD Driven Pile Foundation Design Policy* is located on the NCDOT Geotechnical Engineering Unit's website at:

**<https://connect.ncdot.gov/resources/Geological/Pages/default.aspx>**

For *Geotechnical Guidelines For Design-Build Projects*, the Design-Build Team shall adhere to the guidelines located at the following website:

**<https://connect.ncdot.gov/letting/Pages/Design-Build-Resources.aspx>**

A minimum of 2 standard penetration test (SPT) / rock core borings shall be required per bent for all bent lengths of 50 feet or less. Additional SPT / rock core borings shall be required across the roadway typical section for each bent more than 50 feet long and the borings shall be spaced no greater than 50 feet apart. All borings for pile-supported bents shall be located within 25 feet of the centerline of each bent location to be counted for these minimum requirements. All borings for bents with spread footing or drilled pier foundations shall be performed at opposite ends of each bent, but not greater than 50-feet apart along the bent line as required by bent length noted above, to be counted for these minimum requirements. For structure sites with multiple bridges, borings may be performed between bridges along the bent projection provided the distance between any two borings does not exceed 50 feet. The Design-Build Team shall extend all borings to a depth of 15 feet or four foundation element diameters, whichever is greater, below the foundation element to show a complete subsurface profile. The Design-Build Team shall be responsible for obtaining the borings noted above for all bents where subsurface information is not sufficient or is warranted by variability in the geology unless the prequalified geotechnical firm submits documented justification that the subsurface investigation provided by the NCDOT is adequate for design purposes and the justification is acceptable to the Department. Any deviations to the requirements noted above shall require acceptance from the NCDOT Geotechnical Engineering Unit prior to the foundation design submittal.

The maximum spacing between borings for retaining walls and sound barrier walls shall be 100 feet, with a minimum of two borings; one at each end of the wall. Drill borings for retaining walls a minimum depth below the bottom of the wall equal to twice the maximum wall height. Boring depths for sound barrier walls shall be to a minimum depth below the bottom of the wall equal to the maximum wall height or to SPT refusal.

## **II. ADDITIONAL DESIGN REQUIREMENTS**

### **A. Structure Foundations**

- Key in spread footings of structures crossing streams a minimum of full depth below the 100-year scour elevation and provide scour protection in accordance with the scour protection detail in the NCDOT *Structures Management Unit Manual*.
- Permanent steel casings shall be required for drilled piers that are constructed in six inches or more of water. Permanent steel casings shall also be required for drilled piers constructed on stream banks and within 10 feet of the top of stream banks.

- When the weathered rock or rock elevation is below the 100-year hydraulic scour elevation, the 100-year and 500-year design scour elevations are equal to the 100-year and 500-year hydraulic scour elevations from the structure survey report developed by the Design-Build Team and accepted by the NCDOT Hydraulics Unit. When the weathered rock or rock elevation is above the 100-year hydraulic scour elevation, the 100-year design scour elevation may be considered equal to the top of the weathered rock or rock elevation, whichever is higher, and the 500-year design scour elevation may be set two feet below the 100-year design scour elevation.
- End bent fill slopes up to 35 feet in height (defined as the difference between grade point elevation and finished grade at toe of slope) shall be 1.5:1 (H:V) or flatter. End bent fill slopes with heights greater than 35 feet shall be 2:1 or flatter. All end bent cut slopes shall be 2:1 or flatter. For 1.5:1 fill slopes, extend end bent slope protection from the toe of slope to berm and to 1.75:1 (H:V) slope or to the limits of the superstructure. For end bent cut slopes and for 2:1 or flatter end bent fill slopes, extend end bent slope protection from the toe of slope to berm and to the limits of the superstructure.
- Analyze drilled pier and pile bent foundations using either LPile or FB-Pier. Design drilled piers and vertical piles in pile bents with a sufficient embedment in soil and / or rock to achieve “fixity”.
- For box culverts, the Design-Build Team shall submit details for undercut of unsuitable material or recommendations for use of more than one foot of conditioning material to the NCDOT Geotechnical engineering Unit, via the Design-Build Unit, for review and acceptance.
- Retaining walls or taller headwalls / end walls shall not be used to reduce the length of proposed culverts and or the length of culvert extensions.
- Add steel pile points to all piles with an estimated embedded length of 20’ or less.

## **B. Roadway Foundations**

- Unless noted otherwise herein, all unreinforced proposed fill slopes, except bridge end bent slopes (Reference Section A – Structure Foundations), shall be 2:1 (H:V) or flatter. Unless the slopes are designed with adequate reinforcement to provide the required stability, all proposed soil cut slopes shall be 2:1 (H:V) or flatter. Except as allowed below, rock cuts shall be 1:1 (H:V) or flatter. Rock cuts steeper than 1:1 (H:V) shall only be used if detailed design calculations and a slope stability analysis are submitted to the NCDOT Geotechnical Engineering Unit, via the Design-Build Unit, for review and acceptance prior to construction. Reinforced soil slopes shall only be used if 1) the NCDOT Geotechnical Standard Details 1803.1 and / or 1803.2 are applicable, or 2) detailed design calculations

and a slope stability analysis are submitted for review and acceptance prior to construction.

- Reinforced soil fill slopes shall only be used to minimize impacts to existing structures, and / or cultural, historical or otherwise protected landmark or topographic features.
- Calculate and report estimated settlement and rate of settlement at bridge approach embankments and roadway embankments. Add wait periods, settlement monitoring, and soil improvement techniques to keep long term settlements equal to or less than ½-inch after reaching final grade. Soil improvement techniques to mitigate long term settlement problems or to transfer the embankment load to a deeper bearing stratum are acceptable means to accelerate construction. All soil improvement techniques shall follow the current industry standard practices and the guidelines of *Ground Improvement Methods FHWA publication NHI-04-001* or *Geosynthetic Design and Construction Guidelines FHWA-HI-95-038*.
- Mitigate all unsuitable soils to the extent required to improve the stability of the proposed embankment or subgrade. Use any suitable material to backfill undercut areas except when employing shallow undercut in accordance with Section 505 of the NCDOT 2018 *Standard Specifications for Roads and Structures* which requires the use of Select Material, Class IV. For undercut backfilling in water, use Select Material, Class III.
- The Engineer will conduct DCP testing on the soils beneath the Type 1 aggregate subgrade at a spacing of 100 feet when the Design-Build Team has notified the Department that the aggregate subgrade location has been prepared for geotextile for pavement stabilization placement (Reference the Pavement Management Scope of Work, the *Aggregate Subgrade Standard Special Provision*, and the *Geotextile For Pavement Stabilization Project Special Provision* found elsewhere in this RFP). If the DCP tests indicate poor soils beneath the required 12-inch Type 1 aggregate subgrade, the Engineer will provide direction to increase the thickness of the Class IV subgrade stabilization prior to placing the geotextile for pavement stabilization. Payment of the additional Type 1 aggregate subgrade (below the 12 inches required) will be paid for as extra work in accordance with Subarticle 104-8(A) of the 2018 *Standard Specifications for Roads and Structures* at the unit price of \$50 per cubic yard (in place volume). This payment will be considered full compensation for the additional undercut, removal and proper disposal of the undercut material, and the placement and compaction of the additional Class IV subgrade stabilization.
- **\*\* NOTE \*\* Deleted bullet on high strength geotextile.**

### C. Permanent Retaining Wall Structures

- Retaining walls or abutment walls will not be allowed at any location where more than five feet of scour is calculated at the base of the wall.
- For design and construction of mechanically stabilized earth (MSE) retaining walls, refer to the NCDOT *Policy for Mechanically Stabilized Earth Retaining Walls* which can be found at the NCDOT Geotechnical Engineering Unit's website at:

**<https://connect.ncdot.gov/resources/Geological/Pages/Products.aspx>**

- With the exception of walls covered by a Geotechnical Engineering Unit Standard Detail, design and construct permanent retaining walls in accordance with the applicable NCDOT Geotechnical Engineering Unit Project Special Provisions, which can be provided upon request by the Design-Build Team. Geotechnical Provisions and Notes can be found at the NCDOT Geotechnical Engineering Unit's website at:

**[https://connect.ncdot.gov/resources/Geological/Pages/Geotech\\_Provisions\\_Notes.aspx](https://connect.ncdot.gov/resources/Geological/Pages/Geotech_Provisions_Notes.aspx)**

- Submit a wall layout and design for each retaining wall. The wall layout submittal shall include at least the following.
  - Wall envelope with top of wall, bottom of wall, existing ground, and finished grade elevations at incremental stations
  - Wall alignment with stations and offsets
  - Typical sections showing top and bottom of wall, drainage, embedment, slopes, barriers, fences, etc.
  - Roadway plan sheets showing the wall (half size)
  - Roadway cross sections sheets showing the wall (half size)
  - Traffic Control Plans showing the wall (half size)
- For project retaining walls requiring a design not covered by a Geotechnical Engineering Unit Standard Detail, the wall layout submittal shall also include the following.
  - Calculations for bearing capacity, global stability, and settlement
  - Details of conflicts with utilities and drainage structures
- Locate retaining walls at toes of slopes unless restricted by right of way limits. The Design-Build Team shall submit global stability calculations for slopes at retaining walls and obtain acceptance from the NCDOT prior to construction. All slopes behind walls shall be 2:1 (H:V) or flatter.

- Drainage over the top of retaining walls and sags in the top of walls shall not be allowed. Direct runoff above and below walls away from walls, if possible, or collect runoff at the walls and transmit it away. Curb and gutter or cast-in-place single faced barrier with paving up to the wall shall be required when runoff cannot be directed away from the back or front of the wall. In accordance with the NCDOT Roadway Design Manual – Section 6-7A, Figure 3, the Design-Build Team shall design and construct a paved concrete ditch, with a minimum 12-inch depth, at the top of all retaining walls with slopes draining towards the wall, and a four-foot bench between the wall and fill / cut slopes steeper than 6:1 (H:V).
- Precast or cast-in-place coping shall be required for walls without a cast-in-place face with the exception of when a barrier is integrated into the top of the wall. Extend coping or cast-in-place face a minimum of 12 inches above where the finished or existing grade intersects the back of the wall.
- For all proposed retaining walls and existing retaining walls to remain in place that are a minimum of 30.0” tall, a six-foot chain-link fence or handrail, as directed by the Engineer, shall be required on top of the facing, coping, or barrier, or immediately behind the wall when a slope does not exist as a final condition behind the wall.
- When using abutment retaining walls with deep foundations, the end bent deep foundation shall be designed and constructed with one of the following.
  - A single row of plumb piles with brace piles battered toward the wall
  - A single row of plumb piles with MSE reinforcement connected to the back of the cap
  - An integral abutment with a single row of plumb piles and no reinforcement connected to the back of the cap in accordance with FHWA GEC 11 pages 6-8 through 6-10
  - Drilled piers
- All deep foundations for end bents with abutment retaining walls shall extend a minimum of ten feet below the retaining wall foundation or leveling pad. For drilled-in piles behind such retaining walls, the penetration can be reduced to five feet below the bottom of the wall provided the Design-Build Team analyzes and determines that the vertical piles are “fixed” in natural ground such that the decrease in pile embedment shall not significantly increase the top deflection under lateral loading. The calculations and supporting documentation for this analysis shall be submitted to the NCDOT for review and acceptance prior to construction.

#### **D. Temporary Structures**

- Design temporary retaining structures, which include earth retaining structures and cofferdams, in accordance with current allowable stress design AASHTO



*Guide Design Specifications for Bridge Temporary Works*, the *Temporary Shoring* Standard Special Provision found elsewhere in this RFP and the applicable NCDOT Project Special Provisions available upon request by the Design-Build Team. The only submittal required to use the standard sheeting design is the “Standard Shoring Selection Form”.

- Traffic control barrier on top of walls shall be in accordance with the NCDOT Work Zone Traffic Control Unit details available upon request by the Design-Build Team. If anchored barrier is required, then anchor the barrier in accordance with NCDOT 2018 Roadway Standard Drawing No. 1170.01.

### III. CONSTRUCTION REQUIREMENTS

- The Design-Build Team shall investigate, propose, and submit proposed remedial measures to the NCDOT Geotechnical Engineering Unit for review and acceptance (prior to incorporating recommended remedial measures into the project) for any construction problems related to the following.
  - Foundations
  - Retaining walls
  - Sound barrier walls
  - Subgrades
  - Settlement
  - Slopes
  - Construction vibrations
- The prequalified geotechnical firm which prepares the foundation designs shall review and approve all pile driving hammers and drilled pier construction sequences. After the prequalified geotechnical firm has approved these submittals, the Design-Build Team shall submit them to the NCDOT for review and acceptance prior to beginning construction. Hammer approvals shall be submitted prior to performing any pile driving and shall be performed using GRLWEAP Version 2010 or later.
- The prequalified geotechnical firm which prepares the original foundation designs shall be responsible for any necessary changes to the foundation designs revising analysis, recommendations, and reports as needed. All changes shall be based upon additional information, subsurface investigation and / or testing. Send copies of revised designs, including additional subsurface information, calculations and any other supporting documentation to the NCDOT for review and acceptance.
- The Design-Build Team shall be responsible for any damage and / or claim caused by construction, including but not limited to damage caused by vibration (see Article 107-14 of the NCDOT 2018 Standard Specifications for Roads and Structures). The Design-Build Team shall be responsible for deciding if any pre- and post-construction monitoring and inventories need to be conducted. Any

monitoring and inventory work shall be performed by a prequalified consulting firm.

- Prequalification of contractors is not required for pile excavation or drilled-in pile holes that are 30 inches in diameter or less. Class A concrete or grout shall be required to backfill holes for drilled-in piles.
- Use Pile Driving Analyzer (PDA) testing on a minimum of one pile for each pile size, pile type (material or shape) and pile driving hammer combination at each bridge (dual bridges will count as one bridge). Additional PDA tests may be required based upon the AASHTO LFRD Bridge Design Specifications. If the bridge length with driven pile foundations is longer than 400 feet, perform an additional PDA test at every 400 feet interval. Provide additional PDA testing for any revisions to pile type, size or hammer previously approved.
- The PDA Consultant shall perform PDA testing, provide PDA reports, and develop pile driving inspection charts or tables. All recommendations shall be submitted to NCDOT for review and acceptance prior to driving any production piles at the applicable bridge.
- For drilled piers the following shall apply.
  - Use current NCDOT inspection forms for drilled piers available on the NCDOT Geotechnical Engineering Unit's webpage. Construct and inspect drilled piers in accordance with Section 411 of the 2018 NCDOT *Standard Specifications for Roads and Structures* and the *Drilled Piers Project Special Provision* located on the NCDOT Geotechnical Engineering Unit's website.
  - The Department will inspect drilled piers using the Shaft Inspection Device (SID) for any pours using the wet method of concrete placement and for any drilled pier excavations that cannot be visually inspected or have remained open longer than 24 hours that cannot be dewatered due to unstable soil or rock.
  - The Design-Build Team shall notify Matt Hilderbran, PE by e-mail (mrhilderbran@ncdot.gov) a minimum of five days prior to required SID testing, followed by a confirmation two days prior to required SID testing. The Design-Build Team shall notify Matt Hilderbran of all SID testing cancellations as soon as possible at the e-mail address noted above and at (919) 329-4015.
  - Install Crosshole Sonic Logging (CSL) tubes in all drilled piers. CSL test a minimum of 25% of drilled piers at each bridge or one per bent, whichever is greater. If a CSL test identifies any defect in the drilled pier, the Department has the right to request additional CSL testing and / or tomography as needed. The Department will determine which piers will be CSL tested. Submit CSL and tomography test information and results to the Geotechnical Engineering Unit, via the Design-Build Unit, for review and acceptance.

- Drilled pier tip elevations shall not be changed during construction unless the prequalified geotechnical firm which prepares the bridge foundation design redesigns the drilled pier from either an SPT / rock core boring, performed in accordance with ASTM standards at the subject pier location, or observations of the drilled pier excavation. If a drilled pier is designed based on a boring, do not drill a boring inside an open drilled pier excavation. Locate the boring within three pier diameters of the center of the subject pier and drill to a depth of two pier diameters below the revised tip elevation. If a drilled pier is redesigned based upon observations of the drilled pier excavation, the geotechnical engineer of record shall be present during the excavation to determine the actual subsurface conditions.
- The geotechnical grade point shall be defined as the location where the proposed subgrade and natural ground intersect. At all geotechnical grade points, the Design-Build Team shall undercut the existing soils within two feet of the bottom of the proposed subgrade in accordance with the requirements below.
  - The undercut shall extend along the profile to a point where the elevation difference from the bottom of the proposed subgrade to natural ground is greater than two feet, or to 25 feet on each side of the geotechnical grade point, whichever is less.
  - The lateral extent of the undercut shall extend to a point where the elevation difference from the bottom of the proposed subgrade to natural ground is greater than two feet or to one foot outside of the paved shoulder / face of curb of the proposed roadway typical section, whichever is less.
  - The base of the undercut shall parallel the proposed subgrade.
- When settlement monitoring is necessary the prequalified geotechnical firm which prepares the foundation designs shall review the settlement monitoring data a minimum of once a month and issue a letter for review prior to releasing the embankment or approach fill from monitoring. Monitoring shall not end until less than 0.10 inch of settlement is measured over a period of four weeks. The settlement monitoring data shall be submitted to the Design-Build Unit prior to issuing the release letter.
- Embankment settlement monitoring shall be required when a waiting period of more than one month is recommended in the foundation design recommendation reports developed by the Design-Build Team. When embankment monitoring is required, construct the embankment and approach fill to the proposed roadway grade prior to monitoring. In the absence of embankment settlement monitoring, monitor approach fill settlement after the construction of the approach fill and prior to construction of the approach slab when the approach fill height exceeds 25% of total fill height. Approach fill height is defined as difference between proposed grade and bottom of cap elevations. Use an appropriate method to monitor settlement across the length of the embankment (from toe to toe) such as settlement gauges, surveyed stakes on finished subgrade or other methods but

submit documentation describing the method and procedures to the NCDOT Geotechnical Engineering Unit, via the Design-Build Unit, for review and acceptance prior to construction of the embankment.

- A minimum of two embankment settlement gages shall be required at each end bent when a waiting period of more than one month is recommended in the foundation design recommendation reports developed by the Design-Build Team. Install settlement plates at least one foot below original grade and begin monitoring prior to placing first lift of the embankment.
- Send copies of any inspection forms related to foundations, settlement, sound barrier walls, or retaining wall to the NCDOT for review and acceptance.

**HYDRAULICS SCOPE OF WORK** (6-26-18)**Project Details**

- The Design-Build Team shall employ a private engineering firm to perform hydraulic design for all work required under this contract. The private engineering firm must be prequalified for Tier II hydraulic design work under the Department's normal prequalification procedures prior to the Technical Proposal submittal date.
- The Design-Build Team shall hold a pre-design meeting with the Design-Build Unit and Hydraulics Review Engineer upon acceptance of the Preliminary Roadway Plans developed by the Design-Build Team.

**Storm Drainage System Design**

- The Design-Build Team shall design all storm drainage systems using Geopak Drainage, including but not limited to incorporating discharges from allowable routing programs.
- Raised median island cuts will not be allowed.
- All drainage system improvements shall be contained within the right of way. Where downstream systems outside the right of way are found to be hydraulically deficient during the design storm, the Design-Build Team shall provide an OTCB or 2GI within the right of way limits.
- The Design-Build Team shall use a minimum ditch grade of 0.3% and avoid constructing ditches in wetlands.
- At a minimum, the Design-Build Team shall install traffic bearing grated drop inlets with steel frames and flat steel grates at the following locations:
  - Within a temporary travel lane
  - Within four feet of a temporary and / or permanent travel lane
- Existing and proposed longitudinal pipe (trunkline) shall not be located beneath the proposed roadway travel lanes.
- The Design-Build Team shall provide additional outlet protection at all pipe outlets with a ten-year partial flow velocity greater than 15 fps. The aforementioned outlet protection shall mitigate erosive velocities to receiving downstream channels.

## Hydraulic Spread

- The hydraulic spread shall not encroach into any operational lane beyond the limits noted below:
  - For roadways, the hydraulic spread shall not exceed the values specified in Table 10-1 of the current North Carolina Division of Highways *Guidelines for Drainage Studies and Hydraulics Design (2016)*.
  - For shoulder facilities, including those with expressway gutter and shoulder berm gutter, the hydraulic spread shall not encroach into a permanent travel lane and shall not encroach more than two feet into an operational temporary travel lane.
  - For bridges on alignments with design speeds greater than 45 mph, the hydraulic spread shall not encroach into an operational permanent or temporary through lane on a bridge. The hydraulic spread shall not encroach more than a distance that equals half the lane width or six feet, whichever is less, into an operational permanent or temporary exclusive turn lane.
  - For bridges on alignments with design speeds equal to or less than or equal to 45 mph, the hydraulic spread shall not encroach more than four (4) feet into an operational permanent or temporary through lane or exclusive turn lane.
  - For existing bridges with no alteration to the travel lanes or shoulders (location and / or widths), hydraulic spread will be allowed to encroach into an operational travel lane to an extent equal to that present in the existing (pre-project) conditions.
- The Design-Build Team shall analyze spread for all bridges identified in the Structures Scope of Work found elsewhere in this RFP and, as necessary, provide mitigation that adheres to the hydraulic spread requirements noted above. If required, the Design-Build Team shall adhere to the bridge drainage system requirements noted below:
  - The Design-Build Team shall design bridge drainage without the use of Bridge Scuppers (open-grated inlets). If deck drains are used on the bridge, they shall be vertical pipes at the flow line through the deck with no elbow and shall be consistent with that shown in the current NCDOT Stormwater Best Management Practices Toolbox. If a closed drainage system is used on a bridge, the closed drainage system shall use vertical pipes at the flow line through the deck with no elbow and shall be consistent with that shown in the current NCDOT Stormwater Best Management Practices Toolbox.
  - The Design-Build Team shall use 4" deck drains adjacent to pedestrian facilities.
  - The Design-Build Team shall provide bridge drainage features that prevent direct discharge into waterways or onto any existing / future greenway, railway right of way, travel lanes or paved shoulders.

- The maximum allowable deck drain spacing shall be 12-foot on center.

### **Hydroplaning Analysis**

- Excluding areas that the Design-Build Team will be uniformly overlaying the existing pavement structure, the Design-Build Team shall perform a hydroplaning risk assessment and, as necessary, provide mitigation that minimizes hydroplaning risk for all new and existing roadways within the construction limits. (Reference the Roadway and Pavement Management Scopes of Work found elsewhere in this RFP)
- The Design-Build Team shall utilize one of the following methods to perform the hydroplaning risk assessment:
  - *Hydraulic Engineering Circular 22, 3<sup>rd</sup> Edition, 2009*
  - *AASHTO Highway Drainage Guidelines, 2007*
  - *AASHTO Drainage Manual, 2014*
  - *GDOT Drainage Design for Highways, 2017*
  - *FDOT Hydroplaning Risk Analysis Design Guidance, HP Program, 2014*
- The Design-Build Team shall give particular attention to areas with zero super elevation in a crest and / or sag vertical curve, and reversal points.
- The Design-Build Team shall develop a Final Design Hydroplaning Risk Assessment Report that shall be included with the Preliminary Roadway Plans submittal for the Department's review and acceptance.
- In addition to Final Design Hydroplaning Risk Assessment Report, the Design-Build Team shall develop a Construction Hydroplaning Risk Assessment and Mitigation Plan Report that shall be included with the Traffic Control Plans submittal for the Department's review and acceptance. The aforementioned Report shall identify a process that evaluates and avoids concentrated flow across travel lanes where speeds are in excess of 45 mph during construction phasing. (Reference the Transportation Management Scope of Work found elsewhere in this RFP)

### **Stormwater Management**

- In accordance with the NCDOT Stormwater Best Management Practices Toolbox and the NCDOT Post-Construction Stormwater Program, effective on the Technical Proposal submittal date, the Design-Build Team shall develop a Stormwater Management Plan that, at a minimum, demonstrates the following:

- To the maximum extent practicable, stormwater runoff shall be diverted away from surface waters.
  - To the maximum extent practicable, on-site stormwater control measures shall be employed to minimize water quality impacts.
  - Underground detention will not be allowed. No additional right of way will be acquired solely for stormwater management.
- The Department's ultimate I-3819 preliminary design includes stormwater basins along I-77 at the locations listed below. The Design-Build Team shall design and construct these basins or shall provide a comparable stormwater device from the NCDOT Stormwater Best Management Practices Toolbox.
 

➤ Station 66+00 -Y- LT	Dry Detention Basin
➤ Station 69+00 -Y- RT	Infield Detention Basin
➤ Station 81+00 -Y- LT	Infield Detention Basin
➤ Station 92+00 -Y- RT	Dry Detention Basin
➤ Station 127+50 -L- LT	Loop B Infield Dry Detention Basin
  - In accordance with the *Guidelines for Drainage Studies and Hydraulics Design*, including all addenda, memos and revisions, the Design-Build Team shall prepare Outlet Analyses for the increases in discharge due to the proposed project and take appropriate action to ensure that any increases are appropriately mitigated.

### Drainage Structures

Throughout this RFP, the term *drainage structures* shall include box culverts, cross pipes and storm drainage systems.

- In accordance with the *Drainage Pipe* Project Special Provision found elsewhere in this RFP, the Design-Build Team shall replace **all existing metal pipes** within the project construction limits, excluding the metal pipes that were installed under the I-3819A Project, with the appropriate pipe type.
- The Design-Build Team shall develop discharges for all drainage structures based upon the future build-out land use projections. The Design-Build Team shall not include the effects of storage when computing discharges for hydraulic design and analysis for areas less than 50% impervious and / or areas without storm drainage systems. For drainage areas where impervious surfaces are greater than 50% and / or areas with storm drainage systems, routing will be allowed. EPA SWMM, USACE HMS, Win TR-20, HydroCADD or equivalent are acceptable programs for routing. A storm drainage duration of 24 hours shall be used in developing the hydrograph.



- Revise the *Guidelines for Drainage Studies and Hydraulic Design as follows:*
  - Table 7-2, Peak Discharge Method Selection
    - Rational Method is acceptable up to the lower limit of the applicable USGS methods.
    - Delete the NCDOT Hwy. Hydrologic Charts column
  - Delete Appendix C - NCDOT Hydrologic Charts
  - Section 15.6 Temporary Encroachment in Regulatory Floodway
    - Section 15.6 is not applicable on this project. The Design-Build Team shall assume all liability for any flood damages resulting from the temporary encroachment.
- For all existing and proposed box culverts and pipes (including all extensions), a minimum 1.5-foot freeboard shall be required below the shoulder point during the design storm. The Design-Build Team shall not steepen slopes, reduce easements and / or reduce right of way solely to obtain the aforementioned freeboard requirement.
- A maximum 1.2 HW/D shall be required for all existing and proposed box culverts and pipes (including all extensions) during the design year.
- All existing and proposed storm drainage systems shall maintain a hydraulic grade line that is a minimum of 0.5 feet below the inlet rim elevation or top of junction box; and shall adhere to all other requirements as identified in Chapter 10 of the *Guidelines for Drainage Studies and Hydraulic Design*.
- In the Technical Proposal, Volume II, the Design-Build Team shall provide a *Box Culverts and Cross Pipes Hydraulic Assessment Table* that contains the attributes noted below for all new location box culverts and cross pipes 36-inches in diameter or greater:
  - Station
  - Proposed drainage structure details
  - Drainage Area
  - Percent Impervious or “C” value used
  - **Discharge Method Used**
  - Built-Out Discharges (Design Year and 100 Year)
  - FEMA Crossing (Yes / No)
  - Water Surface Elevation Natural Condition
  - Water Surface Elevation with Drainage Structure
  - HW/D for Build-out Discharges
  - Hydraulic Freeboard for Build-out Discharges
  - Comments
- For all cross structures greater than a 72-inch, including pipes upsized to allow for a buried inlet / outlet condition, a box culvert shall be required.

- Unless noted otherwise elsewhere in this RFP, the Design-Build Team shall remove or fill with flowable fill all pipes not retained for drainage purposes.
- All proposed drainage boxes, including but not limited to catch basins, drop inlets and junction boxes, shall have a grate or manhole access.
- Throughout the project limits, the Design-Build Team shall analyze all drainage structures for hydraulic and structural deficiencies that are located within the existing / proposed right of way, unless required otherwise elsewhere in this RFP. The Design-Build Team will not be required to analyze 1) existing cross pipes that will not be lengthened if no additional discharge from the project is being generated or 2) existing cross pipes that were installed under the I-3819A Project that are not impacted by the Design-Build Team's design and / or construction methods. Using the hydraulic discharges for the future build-out land use projections, drainage structures that do not adhere to the requirements in Sections 9.5.1.3 and 9.5.2.3 of the *Guidelines for Drainage Studies and Hydraulic Design*, including all addenda, memos and revisions, and / or the freeboard and HW/D requirements noted above, shall be deemed hydraulically deficient. Based on these analyses, the following shall be adhered to:
  - The Design-Build Team shall provide the appropriate hydraulic mitigation for 1) all hydraulically deficient drainage structures and 2) all hydraulically and structurally deficient drainage structures, including but not limited to replacement or supplemental pipes and structures. Inlet improvements outside the right of way shall not be allowed to mitigate for hydraulically deficient box culverts and / or pipes. Based on build-out discharges, the Design-Build Team shall identify all hydraulically deficient drainage structures and note their proposed mitigation in the Technical Proposal. At a minimum, in the Technical Proposal, Volume II, the Design-Build Team shall 1) identify all hydraulically deficient storm drainage systems and the proposed mitigation on the plans, and 2) provide a *Box Culverts and Cross Pipes Hydraulic Deficiency Assessment and Proposed Mitigation Table* that contains the box culvert and cross pipe attributes noted below:
    - Station
    - Existing Box Culvert / Cross Pipe Details
    - Drainage Area
    - Percent impervious or "C" value used
    - Discharge method used
    - Build-out Discharges (Design year and 100 year)
    - Hydraulically Deficient (Yes / No) for Build-out Discharges
    - Proposed Mitigation Structure(s) Details
    - HW/D for Build-out Discharges at Existing Structure without Mitigation
    - HW/D for Build-out Discharges at Existing Structure with Mitigation
    - Hydraulic Freeboard at Sag for Build-out Discharges at Existing Structure without Mitigation
    - Hydraulic Freeboard at Sag for Build-out Discharges at Existing Structure with Mitigation

- HW/D for Build-out Discharges for Mitigation Structure(s)
  - Hydraulic freeboard at Sag for Build-out Discharges at Mitigation Structure(s)
  - Comments
- To ensure that all drainage structures being retained are structurally sound, the Design-Build Team shall provide appropriate documentation obtained from video inspections for the Department's review and approval prior to any hydraulic design submittal. Prior to performing any storm drain clean-out required for the aforementioned video inspections, the Design-Build Team shall obtain approval from the Engineer. In accordance with Subarticle 104-8(A) of the 2018 NCDOT *Standard Specifications for Roads and Structures*, required storm drain clean-out will be paid for as extra work.
- As directed by the Engineer, the Design-Build Team shall provide the appropriate structural mitigation for all structurally deficient drainage structures. Structural mitigation, for structural deficiencies in drainage structures, including but not limited to all repairs and replacement will be paid for as extra work in accordance with Subarticle 104-8(A) of the 2018 NCDOT *Standard Specifications for Roads and Structures*.

### **Permit Coordination**

- The Design-Build Team shall conduct a hydraulic design review meeting and an interagency permit impacts meeting prior to the final submittal of the environmental permit applications. These meetings shall adhere to the Concurrence Point 4B and Concurrence Point 4C requirements, respectively, of the Merger Process used by the environmental agencies and the Department to obtain environmental permits. (Reference the Environmental Permits Scope of Work found elsewhere in this RFP.) All work resulting from the hydraulic design and permit review meetings shall be the Design-Build Team's responsibility. A minimum of five weeks prior to the appropriate interagency meeting, the Design-Build Team shall provide 1) hydraulic plans and 2) permit drawings, calculations, and impact sheets for the USACE 404 Permit and the NCDWR Section 401 Certification to the Design-Build Unit. The Design-Build Team shall take minutes of the interagency meetings and provide them to the Department within three business days of the aforementioned meetings.

### **FEMA Regulated Streams**

- For all FEMA regulated streams impacted by the Design-Build Team's design and / or construction, the Design-Build Team shall adhere to the current *Guidelines for Drainage Studies and Hydraulics Design*, including all addenda, memos and revisions, and the following requirements:
  - The Design-Build Team shall prepare a CLOMR or MOA package for the Department's submittal to the North Carolina Floodplain Mapping Program (NCFMP) that shall include the I-3819A FEMA submittals. The Design-Build Team

shall obtain NCFMP approval prior to performing any construction activity in a FEMA regulated floodplain.

- Insurable structures are located within the Fourth Creek 100-year floodplain. In order to adhere to the MOA requirements for structures completed as part of the I-3819A project, a Maintenance Agreement was executed to mow an approximately 6.4 acre tract of land adjacent to Fourth Creek. This Maintenance Agreement will terminate upon completion of the I-3819B project. During construction of the I-3819B project, the Design-Build Team shall be responsible for the aforementioned mowing required by the Maintenance Agreement. The Design-Build Team shall prepare a CLOMR or MOA that 1) restores the overbank Manning's  $n$  value to 0.13 for this 6.4 acre tract and; 2) results in no increase in the 100-year water surface elevation on insurable structures.
- The Design-Build Team shall design and construct the bridge on I-77 over Fourth Creek of sufficient length to ensure that when the Maintenance Agreement noted above for the 6.4 acre tract terminates and the area is returned to the original state (Manning's " $n$ " value = 0.13) the CLOMR or MOA will result in no increase in the 100-year water surface elevation on insurable structures.
- The Design-Build Team shall notify the Design-Build Unit, in writing, of all structures that may require purchase due to an increase in the 100-year water surface elevation of FEMA regulated streams, excluding Fourth Creek. The Department will be responsible for all surveys to ascertain insurable structures within the impacted area of the floodplain(s). The Design-Build Team shall discuss the extent and limits of an allowable rise in water elevation in the floodplain(s), identify potentially impacted insurable structures, specify areas anticipated to require additional surveys and estimate the anticipated additional right of way impacts outside the project construction limits in the Technical Proposal. (Reference the Right of Way Scope of Work found elsewhere in this RFP.)
- The Department will be responsible for all fees associated with the CLOMR(s) and / or MOA(s).
- The Design-Build Team shall ensure that construction and / or removal of all structures in FEMA regulated floodplains adheres to the approved CLOMR(s) and / or MOA(s). Within three months of completion of work in a FEMA-regulated floodplain, the Design-Build Team shall provide As-Built Plans of the site, and a completed As-Built Certification Review Form that verifies construction adheres to the approved CLOMR(s) and / or MOA(s).
- The Design-Build Team shall prepare a new FEMA model and / or package and be responsible for all associated costs resulting from any construction variation from the approved CLOMR(s) and / or MOA(s).

- The Department will allow no direct contact between the Design-Build Team and the NCFMP representatives. No contact between the Design-Build Team, the NCFMP and / or personnel under contract with NCFMP shall be allowed by phone, e-mail, or in person, without Department representatives present. A representative from the Design-Build Unit shall be included on all correspondence.
- Temporary impacts due to construction and / or on-site detour traffic that 1) last longer than one year and / or 2) encroaches into the floodway, shall be reviewed by the Design-Build Team for changes in the water surface elevations that could impact structures or have adverse impacts to the surrounding property. The results of the review shall be submitted to the Hydraulic Unit in a report format for the Department's coordination with NCFMP.

### General

- The Design-Build Team's design shall be in accordance with the information on the following website, the version of the following references effective on the Technical Proposal submittal date, and the contract requirements contained herein:
  - The North Carolina Division of Highways Hydraulics Unit website:  

**<https://connect.ncdot.gov/resources/hydro/pages/default.aspx>**
  - The North Carolina Division of Highways *Guidelines for Drainage Studies and Hydraulics Design*, including all addenda, memos and revisions
  - The NCDOT *Best Management Practices for Construction and Maintenance Activities*
  - The NCDOT *Stormwater Best Management Practices Toolbox*
  - The NCDOT *Post-Construction Stormwater Program*

In case of conflicting design parameters, and / or ranges, in the various resources, the proposed design shall adhere to the *Guidelines for Drainage Studies and Hydraulics Design*, including all addenda, memos and revisions, unless noted otherwise elsewhere in this RFP.

**ITS SCOPE OF WORK** (5 -25-18)**GENERAL**

Relocate Closed Circuit Television Cameras (CCTV) impacted by the construction of this project. Reestablish cellular communications to these CCTVs and reintegrate into the existing computer and network hardware and software at the NCDOT Metrolina Regional Transportation Management Center (MRTMC) located at 2327 Tipton Drive, Charlotte, NC 28206. Major items of work include, but are not limited to, the following:

- Relocation of five (5) existing CCTVs, wood poles, and equipment cabinets
- Conduit system (one – 2-inch conduit for electrical)
- Junction boxes
- Relocation of existing electrical service equipment
- Relocation of existing solar power equipment

Furnish and install guardrail to protect the CCTVs and associated equipment, as required.

Determine the new location of each CCTV, obtain the Engineer's approval of the locations, relocate and implement test procedures, and reintegrate the devices with the MRTMC.

Prior to any underground work, locate existing utilities, communications cable, power cable, and adjust work activities to protect these facilities. Immediately cease work and notify the Engineer and the affected owners if damage to existing utilities occurs. Repair damages to existing utilities, communications cable, and / or power cable at no cost to the Department.

Perform all work in accordance with the 2018 NCDOT *Standard Specifications for Roads and Structures* and the 2018 NCDOT *Roadway Standard Drawings*.

**PROJECT OPERATION REQUIREMENTS****Intermediate Contract Time #7 and #8 for Failure to Reestablish Cellular Communications**

During construction, the Design-Build Team shall coordinate any disruption in ITS cellular communications with the Engineer and the MRTMC. The Design-Build Team shall notify the Engineer and the MRTMC a minimum of seven days prior to all proposed disruptions in service. A minimum of 21 days prior to any disruption in ITS cellular communications, the Design-Build Team shall develop and provide a plan for the Department's approval that defines 1) an anticipated disruption timeframe and 2) a plan of action for reestablishing ITS cellular communications within 72-hours.

**Liquidated Damages for Intermediate Contract Time #7 for failure to reestablish ITS cellular communications within 72 hours are \$2,500.00 per calendar day or any portion thereof.**

**Liquidated Damages for Intermediate Contract Time #8 for failure to provide a plan that defines 1) an anticipated ITS cellular communications disruption timeframe and 2) a plan of action for reestablishing ITS cellular communications a minimum of 21 days prior to a proposed disruption in service are \$10,000.00 per failure.**

## **DESIGN REQUIREMENTS**

### **COMMUNICATIONS**

The existing CCTVs communicate with the MRTMC via Department owned cell modems. Project plans developed by the Design-Build Team shall include reestablishing cellular communications.

### **CCTV CAMERAS**

The Design-Build Team shall relocate existing CCTV cameras impacted by the construction of this project. CCTVs are likely to be impacted at the following locations:

- I-40 at I-77 (Exit 152)
- I-40 at Old Mocksville Highway (Exit 154)
- I-77 at Broad Street (Exit 50)
- I-77 north of I-40 Interchange (near mile marker 51)
- I-77 at Jane Sowers Road Overpass (near mile marker 53)

The Design-Build Team shall design new grounding systems in accordance with the 2018 NCDOT *Standard Specifications for Roads and Structures* and the 2018 NCDOT *Roadway Standard Drawings*.

## **MATERIALS & CONSTRUCTION**

Perform all work in accordance with the 2018 NCDOT *Standard Specifications for Roads and Structures* and the 2018 NCDOT *Roadway Standard Drawings*.

The Design-Build Team shall relocate each CCTV camera and existing wood pole impacted by this project. Reinstall the existing CCTV equipment in the relocated 336S equipment cabinet mounted on the pole. Reinstall the following existing equipment in each CCTV equipment cabinet:

- Power equipment including power supplies, circuit breakers, surge protectors, and other related materials.

Prior to any underground work, locate existing utilities, communications cable, power cable, and adjust work activities to protect these facilities. Immediately cease work and notify the Engineer and the affected owners if damage to existing utilities occurs. Repair damages to existing utilities, communications cable, and / or power cable at no cost to the Department.

Perform all work in accordance with the 2018 NCDOT *Standard Specifications for Roads and Structures* and the 2018 NCDOT *Roadway Standard Drawings*.

## **COMMUNICATIONS**

Remove the cell modems from the existing camera equipment cabinets. Safeguard these modems until the camera poles and the camera equipment cabinets have been relocated. Reinstall and reintegrate the cell modems with the existing computer and network hardware and software at the MRTMC.

## **CCTV CAMERAS**

Remove the CCTVs from the existing wood poles. Safeguard these CCTVs until the wood poles and the camera equipment cabinets have been relocated. Reinstall and reintegrate the CCTVs by reusing the Department owned cell modems.

All existing CCTV components can be reused in the relocations. The Design Build Team shall replace any damaged CCTV equipment at no cost to the Department. All replacement equipment shall be approved by the Engineer.

Furnish and install new grounding systems in accordance with the 2018 NCDOT *Standard Specifications for Roads and Structures* and the 2018 NCDOT *Roadway Standard Drawings*.

## **CONDUIT**

Furnish and install one (1) – 2-inch conduit as needed for the relocation of, and modification to, electrical services and all necessary hardware by trenching or directional drilling in accordance with Section 1715 of the 2018 NCDOT *Standard Specifications for Roads and Structures* for relocating the power service to the CCTVs. Conduit shall not be placed in the median or under the roadway, except for lateral traverse crossings. (Reference the Electrical Service Section below)

Upon completion of the conduit installation furnish the Engineer with Plan of Record documentation showing the horizontal and vertical locations of the installed conduits.

## **JUNCTION BOXES**

Furnish and install junction boxes (pull boxes) with all necessary hardware in accordance with Sections 1098-5 and 1716 of the 2018 NCDOT *Standard Specifications for Roads and Structures*. Furnish and install standard junction boxes with minimum inside dimensions of 16”(l) x 10”(w) x 10”(d) for electrical service. Install junction boxes at maximum intervals of three hundred (300) feet or at locations where underground splicing is necessary.

Provide junction box covers with standard “Electric” logo, pull slots and stainless steel pins.



## **ELECTRICAL SERVICE**

Relocate and modify electrical services for the each existing CCTV as required. Furnish and install related items of work as needed, including, but not limited to copper feeder conductors, risers, guy assemblies, and wood poles with all necessary hardware in accordance with Section 1700 of the 2018 NCDOT *Standard Specifications for Roads and Structures*. (Reference the Utilities Coordination Scope of Work found elsewhere in the RFP for additional coordination / approval requirements and payment responsibilities)

## **SOLAR POWER EQUIPMENT**

Relocate existing solar power equipment for the existing CCTV at the I-40 and I-77 interchange, as required. Furnish and install related items of work, including, but not limited to standard size junction boxes, risers, guy assemblies, and wood poles with all necessary hardware in accordance with Section 1700 of the 2018 NCDOT *Standard Specifications for Roads and Structures*.

## **OTHER CODES AND STANDARDS**

All ITS materials shall conform to the latest version of the applicable standards of the National Electrical Code (NEC), National Electric Manufacturer's Association (NEMA), the Underwriters' Laboratories, Inc. (UL), the Electronic Industries Association (EIA), the International Municipal Signal Association (IMSA), and the National Electrical Safety Code (NESC). All materials and workmanship must conform to the requirements of the NESC, standards of the American Society for Testing and Materials (ASTM); American National Standards Institute (ANSI). Comply with all federal laws, state laws, and city codes in accordance with the 2018 NCDOT *Standard Specifications for Roads and Structures*.

## **SUBMITTALS**

Submit a 60% set of preliminary plans and 100% set of project plans, including specifications for materials, catalog cuts, and installation and testing requirements for review and acceptance by the Department. No construction of the ITS devices and / or communications cable shall begin until the Department has accepted the 100% plans and specifications. Provide the Department with a minimum of 10 working days for each review.

## **QUALIFIED PRODUCTS LIST**

Submit a listing of items on the NCDOT 2018 Qualified Products List (QPL) to receive approval for use on the project. Catalog cuts will not be required for items on the QPL. The QPL website is:

**<https://connect.ncdot.gov/resources/safety/Pages/ITS-and-Signals-Qualified-Products.aspx>**

## **MAINTENANCE AND REPAIR REQUIREMENTS**

The Design-Build Team shall maintain and repair all ITS components within the project scope, including but not limited to, ITS devices, ITS conduit system, and all related ITS components,

from the beginning of construction until the final acceptance of the project by the NCDOT. After acceptance of the project, the Design-Build Team shall be responsible for repairing the system due to faulty materials or workmanship in accordance with the *Twelve Month Guarantee* Project Special Provision found elsewhere in this RFP, or longer if the Design-Build extends the aforementioned warranty period.

### **PLAN OF RECORD DOCUMENTATION**

Prepare and submit to the Department Plan of Record (POR) documentation that depicts the conduit and CCTV locations. Submit final POR documentation in electronic and hard copy format for Department approval. Provide electronic plans in MicroStation (latest release in use by the Department) format on CD. Submit hard copy documentation on 22 x 34 inch plan sheets. POR documentation shall include the final location and depth of conduits, wiring external to the cabinets, and junction box locations. Include in the POR documentation real world coordinates for all CCTVs, junction boxes, and equipment cabinets installed or utilized under this project. Provide the coordinates in feet units using the North Carolina State Plane coordinate system (1983 North American Datum also known as NAD '83). Furnish coordinates that do not deviate more than 1.7 feet in the horizontal plane and 3.3 feet in the vertical plane. Global positioning system (GPS) equipment able to obtain the coordinate data within these tolerances may be used.

### **TESTING**

Develop test plans and procedures for the relocated CCTVs and all associated components and submit to the Engineer for review and approval.

Upon completion of the CCTV relocations, conduct unit tests according to the approved test plan and procedures. Provide all necessary test equipment.

In case of failures and substandard performance, the Design-Build Team shall identify the cause, repair or replace the faulty parts and components and repeat the test. If the problem persists, the entire unit causing the problem shall be replaced prior to retest.

After successful completion of all unit tests, submit the test reports along with the record of repairs and part replacements to the Engineer.

**LIGHTING SCOPE OF WORK** (7-16-18)

The Design-Build Team shall provide and install roadway lighting equipment and materials, in accordance with the Final Lighting Plans provided by the Department, Division 14 of the 2018 NCDOT *Standard Specifications for Roads and Structures*, and the *Roadway Standard Drawings*, except as amended below. Prior to the Technical Proposal submittal date, the NCDOT will provide the July 17, 2018 Preliminary Lighting Plans. The Department will finalize the lighting design based upon the Design-Build Team's Release for Construction (RFC) Roadway Plans.

The Design-Build Team shall include all costs required to construct the roadway lighting shown in the aforementioned Preliminary Lighting Plans provided by the Department in their lump sum price bid for the entire project. The Department shall only compensate the Design-Build Team for additional lighting construction costs that result from design revisions incorporated at the Department's discretion and / or that result from errors or omissions in the Department's Preliminary Lighting Plans. The Design-Build Team shall be solely responsible for all additional lighting construction costs that result from design revisions incorporated at the Design-Build Team's discretion.

If any design revision, including but not limited to those incorporated at the Department's discretion, those incorporated at the Design-Build Team's discretion and / or those incorporated due to errors or omissions in the Department's preliminary lighting design, results in the removal and / or reduction of lighting equipment from the Preliminary Lighting Plans provided by the Department, all costs associated with the removal and / or reduction of lighting equipment shall be deducted from monies due the Design-Build Team.

After the RFC Roadway Plans have been accepted by the Department, the Design-Build Team shall submit MicroStation files of the RFC Roadway Plans for the Department to complete the lighting design. The Design-Build Team shall allow the Department fifteen days after this submittal to update and finalize the lighting design.

The Design-Build Team shall allow ten days for Department review of each submittal for all materials including poles and foundation designs. An additional ten days shall be required for pole submittals from vendors that do not commonly do business with the Department.

Reference the Transportation Management Scope of Work found elsewhere in this RFP for time restrictions and lane closure requirements.

Reference the *Lighting Project Special Provision* found elsewhere in this RFP for additional requirements.

**MAINTENANCE**

Throughout construction, the Design-Build Team shall assume responsibility for routine maintenance of the newly installed lighting system(s) and the lighting systems modified as part of this contract in accordance with Division 14 of the 2018 NCDOT *Standard Specifications for Roads and Structures*, except as amended below.

- NCDOT will assume maintenance responsibility for the completed lighting systems after the project is accepted and there is no chance of construction-related damage.
- The Design-Build Team shall replace any newly installed non-functional lighting system components within the project limits. All luminaires must be operational at project acceptance.

**PAVEMENT MANAGEMENT SCOPE OF WORK** (6-20-18)

Within the project limits, the Design-Build Team shall remove and dispose of / recycle the existing I-77 travel lanes, median paved shoulder and outside paved shoulder pavement structures to the top of the soil subgrade. Within the project limits, the pavement design for the I-77 travel lanes, median shoulders and outside shoulders shall consist of one of the following alternatives unless noted otherwise elsewhere in this RFP. The Design-Build Team shall specify the pavement alternate chosen in the Technical Proposal.

**ALTERNATE 1 – CONCRETE PAVEMENT (ASPHALT SHOULDERS)****I-77 Travel Lane Pavement Design**

The pavement design for the I-77 travel lanes shall consist of the following:

13.5” doweled jointed concrete  
Nonwoven Geotextile Drainage Interlayer \*  
1.25” S9.5B  
12” Type 1 Aggregate Subgrade (*Aggregate Subgrade* Standard Special  
Provision found elsewhere in this RFP)

\* The Nonwoven Geotextile Drainage Layer shall be in accordance with the *Nonwoven Geotextile Interlayer* Project Special Provision found elsewhere in this RFP. The Nonwoven Geotextile Drainage Interlayer and the S9.5B layer shall extend to the shoulder drains.

For each direction of travel, the I-77 concrete pavement structure width shall extend one-foot into the I-77 outside paved shoulder. The transverse joints shall be uniformly spaced 15 feet apart.

In accordance with the *Diamond Grinding Concrete Pavement* Project Special Provision found elsewhere in this RFP, the Design-Build Team shall diamond grind the new concrete pavement.

**I-77 Full-Depth Median Shoulder and I-77 Full-Depth Outside Shoulder Pavement Design**

Throughout the project limits, the pavement design for the I-77 median paved shoulder and the I-77 outside paved shoulder shall consist of the following:

3.0” S9.5C  
3.0” I19.0C  
8.75” B25.0C  
12” Type 1 Aggregate Subgrade (*Aggregate Subgrade* Standard Special  
Provision found elsewhere in this RFP)

The I-77 outside paved asphalt shoulder shall be 11 feet wide.

**ALTERNATE 2 – CONCRETE PAVEMENT (CONCRETE SHOULDERS)****I-77 Travel Lane Pavement Design**

The pavement design for the I-77 travel lanes shall consist of the following:

13.5” doweled jointed concrete  
 Nonwoven Geotextile Drainage Interlayer \*  
 1.25” S9.5B  
 12” Type 1 Aggregate Subgrade (*Aggregate Subgrade* Standard Special  
 Provision found elsewhere in this RFP)

\* The Nonwoven Geotextile Drainage Layer shall be in accordance with the *Nonwoven Geotextile Interlayer* Project Special Provision found elsewhere in this RFP. The Nonwoven Geotextile Drainage Interlayer and the S9.5B layer shall extend to the shoulder drains.

The transverse joints shall be uniformly spaced 15 feet apart.

In accordance with the *Diamond Grinding Concrete Pavement* Project Special Provision found elsewhere in this RFP, the Design-Build Team shall diamond grind the new concrete pavement.

**I-77 Full-Depth Median Shoulder and I-77 Full-Depth Outside Shoulder Pavement Design**

Throughout the project limits, the pavement design for the I-77 median paved shoulder and the I-77 outside paved shoulder shall consist of the following:

13.5” undoweled jointed concrete  
 Nonwoven Geotextile Drainage Interlayer \*  
 1.25” S9.5B  
 12” Type 1 Aggregate Subgrade (*Aggregate Subgrade* Standard Special  
 Provision found elsewhere in this RFP)

\* The Nonwoven Geotextile Drainage Layer shall be in accordance with the *Nonwoven Geotextile Interlayer* Project Special Provision found elsewhere in this RFP. The Nonwoven Geotextile Drainage Interlayer and the S9.5B layer shall extend to the shoulder drains.

**ALTERNATE 3 – ASPHALT PAVEMENT (FULL-DEPTH ASPHALT)****I-77 Travel Lane, I-77 Median Shoulder and I-77 Outside Shoulder Pavement Design**

The pavement design for the I-77 travel lanes, I-77 median paved shoulder and I-77 outside paved shoulder shall consist of the following:

3.0" S9.5D  
3.0" I19.0C  
10.0" B25.0C  
12" Type 1 Aggregate Subgrade (*Aggregate Subgrade* Standard Special  
Provision found elsewhere in this RFP)

**ALTERNATE 4 – ASPHALT PAVEMENT (AGGREGATE BASE COURSE)****I-77 Travel Lane, I-77 Median Shoulder and I-77 Outside Shoulder Pavement Design**

The pavement design for the I-77 travel lanes, I-77 median paved shoulder and I-77 outside paved shoulder shall consist of the following:

3.0" S9.5D  
3.0" I19.0C  
5.5" B25.0C  
10.0" ABC  
12" Type 1 Aggregate Subgrade (*Aggregate Subgrade* Standard Special  
Provision found elsewhere in this RFP)

**ALTERNATE 5 – ASPHALT PAVEMENT (CEMENT TRATED AGGREGATE  
BASE COURSE)****I-77 Travel Lane, I-77 Median Shoulder and I-77 Outside Shoulder Pavement Design**

The pavement design for the I-77 travel lanes, I-77 median paved shoulder and I-77 outside paved shoulder shall consist of the following:

3.0" S9.5D  
3.0" I19.0C  
4.0" B25.0C  
8.0" CTBC  
12" Type 1 Aggregate Subgrade (*Aggregate Subgrade* Standard Special  
Provision found elsewhere in this RFP)

**I-40 PAVEMENT DESIGN****I-40 Travel Lane Pavement Design**

The pavement design for the I-40 travel lanes shall consist of the following:

- 14.0" doweled jointed concrete
  - 3.0" B25.0C
  - 1.25" S9.5B
- 12" Type 1 Aggregate Subgrade (*Aggregate Subgrade Standard Special Provision found elsewhere in this RFP*)

The transverse joints shall be uniformly spaced 15 feet apart.

**I-40 Full-Depth Median Shoulder and I-40 Full-Depth Outside Shoulder Pavement Design**

Throughout the project limits, the pavement design for the I-40 median paved shoulder and the I-40 outside paved shoulder shall consist of the following:

- 14.0" undoweled jointed concrete
  - 3.0" B25.0C
  - 1.25" S9.5B
- 12" Type 1 Aggregate Subgrade (*Aggregate Subgrade Standard Special Provision found elsewhere in this RFP*)

**OTHER REQUIREMENTS**

Unless noted otherwise elsewhere in this RFP, all longitudinal joints shall be located on a lane line or lane midpoint. Solely to shift a longitudinal joint to one of the aforementioned locations, a maximum 840-foot transition, that locates the longitudinal joint elsewhere, will be allowed. The Design-Build Team shall indicate in the Technical Proposal how longitudinal joints will be located on a lane line or lane midpoint.

The subgrade stabilization shown in the tables below shall consist of 12" of Type 1 Aggregate Subgrade (Reference the *Aggregate Subgrade Standard Special Provision found elsewhere in this RFP*)

Cement treated base course shall be in accordance with the *Cement Treated Base Course Project Special Provision found elsewhere in this RFP*.

Other pavement designs for this project shall be as listed in the tables below:



**I-40 / I-77 Interchange Ramps**

LINE	Concrete Depth	B25.0C	S9.5B	Stabilization
-YRPA- -YRPB- -YRPC- -YRPD- -YRPAC- -YRPCA- -YLPC-	11.5"	3.0	1.25"	Yes
-YRPBD-	13.0"	3.0	1.25"	Yes

**-Y9- East Broad Street Ramps, Loops and -Y- Lines**

LINE	Surface	Intermediate	Base	Stab
-Y9- (East Broad Street) -Y9A- (Knox Street) -Y9B- (Beechwood Road) -Y9C- (Shopping Center Entrance)	3.0" S9.5B	4.0" I19.0C	4.0" B25.0C	No
-Y9RPA-, -Y9RPC-, -Y9LPA-, -Y9LPC-	3.0" S9.5B	4.0" I19.0C	3.0" B25.0C	Yes

**-Y15- Old Mocksville Road Ramps**

LINE	Surface	Intermediate	Base	Stab
-Y15RPB-, -Y15RPC-	3.0" S9.5B	2.5" I19.0C	3.0" B25.0C	Yes
-Y10B- (US 64)	3.0" S9.5B	4.0" I19.0C	4.0" B25.0C	No

**\*\*Note\*\* Deleted -Y15- (Old Mocksville Road) and -Y15A- pavement designs**

**-Y10- Davie Avenue -Y- Lines**

LINE	Surface	Intermediate	Base	Stab
-Y10- (US 64 / Davie Avenue) -Y11- (Simonton Road)	3.0" S9.5B	4.0" I19.0C	4.0" B25.0C	No

**U-6039 -Y- Lines**

LINE	Surface	Intermediate	Base	Stab
-Y1- (Eastside Drive) -Y2- (Signal Hill Drive) -Y3- (Carolina Street) -Y5- / -Y6-	3.0" S9.5B	4.0" I19.0C	4.0" B25.0C	No

For the -Y- Lines, ramps, and loops pavement designs noted in the tables above, the Design-Build Team may substitute an ABC layer for the asphalt base course layer. If such an alternative is proposed, the thickness of the ABC layer, used as a substitute for the asphalt base course layer, shall be equal to twice the proposed asphalt base course thickness specified for the roadway. If an asphalt surface course is placed directly on an ABC layer, the Design-Build Team shall apply prime coat over the ABC layer.

The Design-Build Team shall maintain the same pavement design throughout the -Y- Line, ramp, and loop, construction limits. In the Technical Proposal, the Design-Build Team shall specify the base option chosen (ABC or asphalt) for all -Y- Lines, ramps, and loops.

Unless noted otherwise elsewhere in this RFP, the Design-Build Team shall resurface the existing pavement of all -Y- Lines with a minimum depth that equals the full thickness of the surface course as provided in the table above. (Reference the Roadway Scope of Work found elsewhere in this RFP).

Throughout the construction limits that consist solely of pavement marking obliterations and / or revisions, the Design-Build Team shall uniformly overlay the existing pavement with a pavement depth that equals half the full thickness of the surface course as provided in the tables above.

On all ramps and loops, the adjacent through lane pavement design shall extend to the back of the gore (12-foot width).

For all greenways, the pavement design shall consist of 2.0" of S9.5B, 6.0" of ABC and a Soil Stabilization Geotextile Fabric. Construction of all greenways shall be consistent with the *Greenways and Multi-Use Paths* Project Special Provision found elsewhere in this RFP.

Longitudinal joints of all surface course layers shall not be located in the final traffic pattern wheel path. If applicable, the Design-Build Team shall indicate in the Technical Proposal where all underlying longitudinal joints will be located and demonstrate how the underlying longitudinal joint location will minimize reflective cracking.

Unless noted otherwise elsewhere in this RFP, the minimum widened width shall be six feet. The minimum widened width may be reduced to four feet only if the Design-Build Team demonstrates that their equipment properly compacts narrow widening and obtains prior Department written approval. Tapers that tie proposed pavement to existing pavement are excluded from the narrow widening requirements noted above.

In areas where the existing paved shoulders are proposed to be incorporated into a permanent travel lane, the Design-Build Team shall be responsible for evaluating the existing paved shoulder regarding its suitability for carrying the projected traffic volumes. In the event that the existing paved shoulder is found to be inadequate, the Design-Build Team shall be responsible for upgrading the existing paved shoulder to an acceptable level or replacing the existing paved shoulder. The Design-Build Team shall submit their evaluation and proposed use of existing paved shoulders to the Design-Build Unit for review and acceptance or rejection.

Unless noted otherwise elsewhere in this RFP, the Design-Build Team shall pave from 1) the edge of all paved shoulders to the face of all single face barrier / guardrail, excluding median locations that the NCDOT Roadway Standard Drawings do not require paving to the face of guardrail 2) from the edge of all paved shoulders to the edge of all expressway / shoulder berm gutter and 3) from the edge of all paved shoulders to the face of proposed retaining walls and sound barrier walls located on the outside shoulder with 6" of ABC (or 4" B25.0C), a split seal and at least two lifts of surface course. If a split seal is not used, the ABC pavement design shall require prime coat at the normal application rate. In these areas, the Design-Build Team's installation of ABC or black base shall be consistent with the pavement type for the specific roadway. As an alternative to the above pavement design for paving the shoulders to the face of the aforementioned features, the Design-Build Team may use the adjacent travel lane pavement design.

The Design-Build Team shall place a minimum of 6" of ABC or 4" B25.0C under all single face barrier, expressway / shoulder berm gutter, curb and gutter, and concrete truck aprons.

All driveways, up to the radius point, shall be constructed with the full-depth pavement design of the intersecting roadway. The entire impacted length of all non-concrete driveways with a 10% grade shall be constructed with 1.5" S9.5B (or S9.5C) and 8" ABC with prime coat. Unless otherwise noted above, the Design-Build Team shall adhere to the following for all driveway construction:

- For existing gravel and soil driveways, use 8" ABC
- For existing asphalt driveways, use 1.5" S9.5B (or S9.5C) and 8" ABC with prime coat
- For existing concrete driveways, use 6" jointed concrete reinforced with woven wire mesh

The Design-Build Team shall be responsible for the design of all temporary pavements and for the evaluation of existing shoulders and roadways regarding their suitability for carrying traffic during construction, if necessary. In the event that the existing shoulders and / or roadways are found to be inadequate for the proposed temporary traffic volumes and durations, the Design-Build Team shall be responsible for upgrading the pavement to an acceptable level. Temporary pavements shall be designed in accordance with the NCDOT Pavement Design Procedure, AASHTO 1993 Method dated March 16, 2018. Temporary pavement designs and associated calculations shall be submitted for review and acceptance using the Design-Build submittal process prior to incorporation. The expected duration for traffic on temporary pavement must be included as part of the submittal.

Excluding the 1.25" S9.5B drainage layer, the rate of application and the maximum and minimum thickness per application and layer shall be in accordance with the NCDOT Roadway Design Manual.

Excluding the high side of superelevated sections, the Design-Build Team shall design and construct continuous median and outside shoulder drains and outlets for the I-77 concrete pavement alternate and for the concrete pavement on I-40.

Excluding the high side of superelevated sections, the Design-Build Team shall design and construct median and outside shoulder drains and outlets at the locations noted below for the I-77 asphalt pavement alternates:

- Throughout crest vertical curves located in cut sections
- Throughout all sag vertical curves
- Where the grade is less than 1%.

Where installed on the outside shoulder, outlets shall be provided approximately every 300 feet. Where installed on the median shoulder, outlet locations shall not exceed 500 feet, and all outlets shall be located at drainage structures. Shoulder drains shall be placed to drain the entire pavement structure. The shoulder drain design and outlet locations shall be submitted to the Design-Build Unit for review and acceptance.

When a resurfacing grade ties to an existing curb, bridge and / or pavement, the Design-Build Team shall perform incidental milling such that the new pavement ties flush with the existing feature(s). When tying to the aforementioned feature(s), the Design-Build Team shall not reduce the minimum required surface layer pavement thickness noted above. At existing pavement ties, the Design-Build Team shall perform incidental milling for a minimum distance of 25 feet at bridges and six feet at curb sections. The Design-Build Team shall not perform incidental milling more than 72 hours prior to placement of the asphalt surface layer.

### **ALTERNATIVE TECHNICAL CONCEPTS**

Alternative Technical Concepts (ATC) that provide an alternate pavement design will be considered subject to the following restrictions:

- ATCs on pavement design will be permitted for I-77 travel lanes and shoulders. ATCs for the I-40 proposed travel lanes and shoulders will only be permitted for the pavement structure below the concrete pavement layer, as long as drainage is maintained for the existing I-3819A concrete pavement structure and the I-3819B proposed concrete pavement structure. The I-40 travel lane and shoulder pavement designs shall maintain the concrete pavement depths provided elsewhere in this Scope of Work. ATCs shall not be submitted until after issuance of the Second Industry Draft Request for Proposals.
- Unless noted otherwise elsewhere in this RFP, the pavement design in the ATC shall be determined using the method in the NCDOT Pavement Design Procedure, AASHTO 1993 Method dated March 16, 2018.
- The pavement design in the ATC shall be signed and sealed by a professional engineer registered in the State of North Carolina that has experience in pavement design. The ATC submittal shall include a brief resume or description of the designer's pavement design experience.

- For all incorporated ATC pavement designs, the Design-Build Team shall include in the Technical Proposal a minimum three-year extension of the 12-month guarantee. (Reference the *Twelve Month Guarantee* Project Special Provision found elsewhere in this RFP)
- The I-77 pavement design in the ATC shall adhere to the design parameters noted below.

### **1. Asphalt Pavement**

- All asphalt pavement designs shall include 12” Type 1 Aggregate Subgrade in accordance with the *Aggregate Subgrade* Standard Provision found elsewhere in this RFP.
- Full Depth Asphalt
  - Minimum 16” thickness
- Asphalt on ABC
  - Minimum 11.5” asphalt thickness
  - Minimum 10” ABC thickness
- Asphalt on CTBC
  - Minimum 10” asphalt thickness
  - 8” CTBC thickness – Cement treated base course shall be in accordance with the *Cement Treated Base Course* Project Special Provision found elsewhere in this RFP.

### **2. Concrete Pavement**

- All concrete pavement designs shall include 12” Type 1 Aggregate Subgrade in accordance with the *Aggregate Subgrade* Standard Provision found elsewhere in this RFP.
- Full Depth Concrete
  - Minimum 13.5” concrete thickness
  - Uniform 15-foot joint spacing
  - Base shall be non-erodible and shall include a permeable drainage layer and a separator layer below the drainage layer (must drain the pavement structure while protecting the subgrade from moisture)

ATCs complying with the above restrictions will be evaluated by a technical review panel in accordance with the usual ATC process with the exception that the NCDOT reserves the right to engage a recognized pavement design expert to assist with the ATC evaluations. (Reference the *Alternative Technical Concepts and Confidential Questions* Project Special Provision found elsewhere in this RFP)

**PAVEMENT MARKINGS SCOPE OF WORK** (2-21-18)**General**

The Design-Build Team shall prepare Final Pavement Marking Plans in accordance with the latest edition of the *Manual on Uniform Traffic Control Devices (MUTCD)* effective on the Technical Proposal submittal date, the 2018 NCDOT Roadway Standard Drawings, the *Guidelines for Preparation of Traffic Control and Pavement Marking Plans for Design-Build Projects*, the *Design-Build Submittal Guidelines* and the contract requirements contained herein.

**Final Pavement Marking Plan Requirements**

The Design-Build Team shall select a Private Engineering Firm (PEF) that has experience designing and sealing Pavement Marking Plans for NCDOT on comparable projects. The Design-Build Team shall list projects in the Technical Proposal, including description and similarity to the subject project, for which the PEF developed Pavement Marking Plans.

The Design-Build Team shall develop Pavement Marking Plans that maintain all types of traffic (motorists, bicyclists, and pedestrians within the highway, including persons with disabilities, in accordance with the Americans with Disabilities Act of 1990 (ADA), Title II, Paragraph 35.130) as defined by the *Manual for Uniform Traffic Control Devices (MUTCD)*.

If sidewalk is constructed, the Design-Build Team shall show and station all curb ramps in the Pavement Marking Plans for signalized intersections, non-signalized intersections and points of pedestrian crossings. Curb ramps shall be constructed per current ADA standards and with guidance from the 2018 NCDOT Roadway Standard Drawings. If the roadway geometry does not allow for the use of standard details, contact the Contract Standards and Development Unit for alternate approved curb ramp designs.

**Final Pavement Marking Project Limits**

The Design-Build Team shall install all pavement markings and markers located within and outside the project limits, resulting from the project construction. The Final Pavement Marking Plans shall address all required modifications to existing pavement markings and markers located outside the project limits to ensure appropriate tie-ins. At a minimum, the Design-Build Team shall modify existing pavement markings and markers located outside the project limits to ensure that all lanes in each direction are open to traffic.

**Pavement Markings, Markers and Delineation**

The Design-Build Team shall submit a complete set of Final Pavement Marking Plans that includes the -L- Line, and all -Y- Lines, ramps / loops and collector distributor roads for review and acceptance. The Design-Build Team shall not place any final pavement markings or markers until the aforementioned Final Pavement Marking Plans are reviewed and accepted by the Department.

The Design-Build Team shall coordinate with the Transportation Management Plans for necessary traffic control devices that will remain at the completion of the project.

The Design-Build Team shall use pavement marking and marker products that conform to all NCDOT requirements and are listed on the NCDOT's Approved Products List. The use of any devices that are not shown on the Approved Products List shall require written approval from the NCDOT Signing and Delineation Unit prior to incorporation.

The Design-Build Team shall install pavement markings and markers in accordance with the 2018 NCDOT *Standard Specifications for Roads and Structures*, and in accordance with the manufacturer's procedures and specifications.

In accordance with the NCDOT Roadway Standard Drawing No. 1205.08, Sheet 1 of 8, and guidance found on the Signing and Delineation Unit's webpage, the Design-Build Team shall install wrong-way ramp arrow pavement markings and markers on all exit ramps / loops.

The Design-Build Team shall install pavement markings and pavement markers on the final surface as follows:

Road	Marking	Marker
All	Polyurea with Highly Reflective Media	<ul style="list-style-type: none"> <li>• Snowplowable Markers</li> <li>• Raised Markers on concrete bridge decks</li> <li>• Match existing markers on -Y- Lines</li> </ul>

In accordance with the Black – White Combination (10' White Skip Lines / 10' Black Skip Lines) Detail provided by the Department and the *Epoxy Pavement Marking Material* Project Special Provision found elsewhere in this RFP, the Design-Build Team shall place black epoxy contrast markings on concrete pavement.

On concrete surfaces, the Design-Build Team shall install Heated-in-Place Thermoplastic or Cold Applied Plastic (Type II or III) markings for stop bars, symbols, characters, crosswalks, and diagonals.

On asphalt surfaces, the Design-Build Team shall install Heated-in-Place Thermoplastic or Extruded Thermoplastic markings for stop bars, symbols, characters, crosswalks, and diagonals.

Prior to placing pavement marking material on concrete surfaces that are diamond ground, the Design-Build Team shall use an acceptable method to grind ridges smooth only where pavement markings will be installed.

On all Full Control of Access interstate facilities and US Routes the Design-Build Team shall install six-inch wide pavement markings, (i.e., lane line, edge line and skips) for the final pavement marking. The Design-Build Team shall install gore lines that are twice the edge line width.



Using approved methods, the Design-Build Team shall remove residue and surface laitance on concrete bridge decks prior to placing final pavement marking materials. In accordance with approved methods and the 2018 *Standard Specifications for Road and Structures*, the Design-Build Team shall remove curing compound from all other concrete surfaces prior to placing final pavement marking materials.

The Design-Build Team shall only remove pavement markings from asphalt surfaces by grinding.

The Design-Build Team shall only remove pavement markings from concrete surfaces by hydroblasting.

The Design-Build Team shall tie proposed pavement marking lines to existing pavement marking lines.

The Design-Build Team shall replace any pavement markings that have been damaged by the end of each day's operation.

**PUBLIC INVOLVEMENT AND INFORMATION SCOPE OF WORK****General**

NCDOT will take the lead role on this project and be responsible for a portion of the public involvement and information efforts, through the Department's Public Involvement Group and Communications Office, respectively. At a minimum, the Design-Build Team shall designate a contact for public involvement and information inquiries / coordination.

The Design-Build Team shall hold an initial project coordination meeting with NCDOT at least six weeks prior to the start of construction to discuss project impacts to the public. This information will be used by the Department to create a Public Involvement and Information Plan.

The Department will develop, with assistance from the Design-Build Team, the specific list of target audiences for this project. The following groups are identified as typical target audiences to receive informational materials:

- Governmental agencies
- Municipalities directly affected by construction
- Transportation services
- Emergency services
- Neighborhood groups and private homes
- Industry and businesses
- Chamber of Commerce
- Individual schools affected by the project
- County / City school systems
- Any other organization as deemed necessary by the Department.

The Department will be responsible for establishing, creating, maintaining and updating a project website. However, throughout the project duration, the Design-Build Team shall coordinate public involvement activities with the NCDOT Public Involvement Officer assigned to the project; and provide weekly updates, photos and other needed announcements to the Communications Office to ensure the accuracy of the aforementioned project website.

The Design-Build Team shall discuss in the Technical Proposal their approach to providing the public with communication access to project personnel to inquire as to traffic impacts, including vehicular and pedestrian.

The Design-Build Team shall include in their lump sum bid for the project, all costs associated with their involvement in the Public Involvement and Information Scope of Work.

**Public Involvement**

Unless noted otherwise elsewhere in this RFP, the NCDOT Public Involvement Group will be responsible for the activities noted below:

- Organizing public meetings, including venue selection, reservation and fee
- Excluding colored maps, developing and producing informational print materials for all meetings and workshops
- Soliciting and administering advertisements, as deemed necessary
- Mailings to the identified target audiences, including postage
- If necessary, developing and producing informational print materials for Limited English Proficiency (LEP) outreach
- Web page updates related to public involvement efforts

To ensure that project information can be distributed to the public using standard methods, including but not limited to notices to newspapers, the Design-Build Team shall coordinate with the Public Involvement Officer assigned to the project.

The Design-Build Team shall also coordinate with the Public Involvement Officer to promote public awareness for this project. The amount of public involvement required for this project shall be directly based on the Design-Build Team's Transportation Management Plans and construction details. The Design-Build Team's responsibilities shall include, but are not limited to, the following:

- Providing information requested by the Department to develop and produce informational printed materials for all meetings and workshops
- Developing and providing colored maps for presentation at all public meetings / workshops
- Providing details surrounding the impacts to the public
- Providing advance notice to the Department of upcoming project impacts
- Assisting the Department in the development of the target audience list
- Attending and / or speaking at public meetings
- Hand delivery of time sensitive informational materials

The minimum public involvement requirements solely associated with the Transportation Management Plans shall include, but are not limited to the following:

- Public Meetings – If Beginning of Construction meeting for area businesses and residents is held, attending and / or speaking at this event.
- Distribution of Informational Materials - For beginning of construction and for all road closures with detour routes, the Design-Build Team shall be responsible for providing time sensitive informational material, provided by the Department, directly to the target audiences. If the Design-Build Team informs the Department of the aforementioned activities less than thirty (30) calendar days in advance, the Design-Build Team shall hand deliver the materials to the impacted target audiences.

### **Public Information**

Unless noted otherwise elsewhere in this RFP, the NCDOT Communications Office will be responsible for the activities noted below:

- Providing media announcements
- Scheduling interviews, as needed
- Web page updates related to project progress

To ensure that project information can be distributed to the public using standard methods, including but not limited to notifying media outlets and updating the project website, the Design-Build Team shall inform the Department at least thirty (30) calendar days in advance of any construction activity that will significantly impact the public. These activities shall include, but are not limited to, the start of construction, major traffic shifts, road closures, ramp closures, detours, night work and project completion.

Throughout construction, the aforementioned Design-Build contact shall provide weekly updates to the NCDOT Communications Office, including, but not limited to, traffic control phasing, graphic illustrations, project pictures, etc.

**RIGHT OF WAY SCOPE OF WORK** (7-12-18)

**\*\* NOTE \*\* Prior to negotiating property acquisition with property owners, the Design-Build Team shall meet with the appropriate NCDOT Location and Surveys, Right of Way and Design-Build personnel.**

As shown on the I-3819A Right of Way Plans provided by the Department, the NCDOT has acquired all right of way, easements and control of access for Project I-3819B. In the event additional right of way, easements and / or control of access are needed to construct the project beyond that which has already been acquired by the Department, the Design-Build Team shall acquire the additional right of way, easement and / or control of access in accordance with the provisions of this scope of work.

The cost of the right of way, easement and control of access, as shown on the I-3819A Right of Way Plans provided by the Department, has been borne by the Department. The cost of both the acquisition services and the actual cost of any additional right of way, easement and / or control of access as required by the Design-Build Team's design or construction methods (including all erosion control measures), beyond that shown on the I-3819A Right of Way Plans provided by the Department, shall be the responsibility of the Design-Build Team. The following exception applies to this paragraph:

If the Design-Build Team demonstrates to the Department's sole satisfaction that the project cannot be constructed, or utilities relocated / constructed, within the right of way, easements and / or control of access as shown on the I-3819A Right of Way Plans provided by the Department, the Department will bear the cost for the portion of the additional right of way, easement and / or control of access that is satisfactorily demonstrated by the Design-Build Team as needed to construct the facility.

**For all right of way, easements and / or control of access required for U-6039 the following shall apply:**

With respect to the payments, costs and fees associated with the acquisition of right of way, easements and / or control of access, the Department will be responsible for only direct payments to property owners for negotiated settlements, recording fees, any relocation benefits, and deposits and fees involved in the filing of condemnation claims. The Department will assume responsibility for all costs associated with the litigation of condemned claims, including testimony by the appraiser(s). The Design-Build Team shall be responsible for all other acquisition services related to payments, costs and fees, including but not limited to attorney fees required for all non-condemnation acquisitions.

**For all additional right of way, easements and / or control of access required by the Design-Build Team's design, including all design revisions required by this RFP, and / or construction methods, the Design-Build Team shall carry out the following responsibilities:**

- The Design-Build Team shall employ qualified, competent personnel who are currently **approved by the NCDOT Right of Way Unit**, herein after referred to as the Department, to provide all services necessary to perform all appraisal (except appraisal reviews and updated

appraisals required solely for condemned parcels), negotiation and relocation services required for all right of way, control of access and easements, including but not limited to permanent utility easements, necessary for completion of the project in accordance with G.S. 136-28.1 of the General Statutes of North Carolina, as amended, and in accordance with the requirements set forth in the *Uniform Appraisal Standards and General Legal Principles for Highway Right of Way*, the *North Carolina Department of Transportation's Right of Way Manual*, the *North Carolina Department of Transportation's Rules and Regulations for the Use of Right of Way Consultants*, the *Code of Federal Regulations*, and Chapter 133 of the *General Statutes of North Carolina* from Section 133-5 through 133-18, hereby incorporated by reference, including the Uniform Relocation Assistance and Real Property Acquisition Policies Act of 1970, as amended. The Design-Build Team shall also field stake all right of way, control of access and easements, including but not limited to utility easements, in accordance with the requirements noted above. For a list of firms currently approved, the Design-Build Team should contact Mr. Neal Strickland, in the NCDOT Right of Way Unit, at 919-707-4364. The Design-Build Team shall perform the services as set forth herein and furnish and deliver to the Department reports accompanied by all documents necessary for the settlement of claims and the recordation of deeds, or necessary for condemnation proceedings covering said properties. The Design-Build Team, acting as an agent on behalf of the State of North Carolina, shall provide right of way acquisition services for TIP I-3819B / U-6039 in Iredell County.

- Acquisition services required outside of the project construction limits due solely to **an allowable rise** in the floodplain water elevation on insurable structures will be considered extra work and paid for in accordance with Article 104-7 of the 2018 NCDOT *Standard Specifications for Roads and Structures*.
- A Department representative will be available to provide technical guidance on right of way acquisition procedures and to make timely decisions on approving relocation benefits and approving administrative adjustment settlements on behalf of the Department over and above the authority granted to the Department Right of Way Consultant Project Managers.
- The Design-Build Team shall submit a right of way project tracking report and right of way quality control plan to the Department. The Department standard forms and documents shall be used to the extent possible.
- The Design-Build Team shall provide a current title certificate for each parcel as of the date of closing or the date of filing of condemnation, unless required otherwise in the NCDOT April 2015 *Right of Way Manual*.
- The Department will prepare all Condemnation Maps. The Design-Build Team shall prepare all Final Condemnation Reports. Upon approval of the Final Condemnation Report, the Department will require a minimum of eight weeks to file the condemnation claim. For all plan revisions on condemned parcels that modify the area acquired, modify the control of access and / or impact the appraised value, the Design-Build Team shall be responsible for the following:

- The Design-Build Team shall notify the Division Right of Way Agent, the Area Negotiator, Area Appraiser, and the Attorney General, in writing, that revisions have been made that impact a condemned parcel, and provide updated plan sheets and revised area takes.
  - The Design-Build Team shall consult with the Attorney General and the Area Appraiser to determine the status of the negotiations and appraisal(s).
  - If the Attorney General and / or Area Appraiser recommend an updated appraisal, the Design-Build Team shall provide an updated Summary Sheet to the Area Appraiser for the Department's use in obtaining an updated appraisal(s).
  - Upon receipt of the approved updated appraisal(s), the Design-Build Team shall develop a revised written offer. If settlement is not reached, the Design-Build Team shall submit an updated Final Condemnation Report. If settlement is reached, the Design-Build Team shall notify the Attorney General and Area Appraiser in writing and submit an updated Final Condemnation Report with all necessary documentation.
  - The Department will be responsible for payment for the additional deposit to the Attorney General's Office and the Attorney General will prepare and file an Amendment to the Declaration of Taking.
- The following shall be required:
    - Unless otherwise approved by the NCDOT Assistant State Negotiator, in writing, the Design-Build Team shall provide right of way, control of access and easement descriptions in metes and bounds format (bearings and distances). The Design-Build Team shall provide exhibits, diagrams and / or other information required to verify the aforementioned descriptions.
    - In accordance with the NCDOT April 2015 *Right of Way Manual*, the Design-Build Team may prepare red-line adjustments for parcels that are not condemned. The Department must approve a red-line adjustment, in writing, prior to the Design-Build Team making an offer based on the red-line adjustment.
    - The Design-Build Team shall prepare, execute and record documents conveying title to acquired properties to the Department with the Register of Deeds
    - The Design-Build Team shall deliver all executed and recorded deeds and easements to the Department.
    - For all property purchased in conjunction with the project, title shall be acquired in fee simple or easement and shall be conveyed to "The North Carolina Department of Transportation", free and clear of all liens and encumbrances except permitted encumbrances.

- The Design-Build Team shall develop the following right of way items:
  - Right of Way series of plan sheets (“R/W” series of plan sheets) that delineate the existing property information, property ties, proposed centerline data, existing and proposed right of way, existing and proposed easements, and existing and proposed control of access. The “R/W” series of plan sheets shall be signed and sealed by a Professional Land Surveyor registered in the State of North Carolina. The Professional Land Surveyor’s signature and seal shall attest that the right of way monuments were placed under their responsible charge.
  - A table of control points for the proposed centerline alignments (“D series of plan sheets).
  - A table of proposed right of way and permanent easement control points (“E” series of plan sheets) that shall be signed and sealed by a Professional Land Surveyor registered in the State of North Carolina.
- It is understood and agreed by and between the parties hereto that all reports, surveys, studies, specifications, memoranda, estimates, etc., secured by and for the Design-Build Team shall become and remain the sole property of the Department upon termination or completion of the work, and the Department shall have the right to use same for any public purpose without compensation to the Design-Build Team.
- The Design-Build Team shall prepare appraisals in accordance with the Department’s *Uniform Appraisal Standards and General Legal Principles for Highway Right of Way Acquisitions*. The Design-Build Team’s appraiser shall be on the Department’s approved state certified appraiser list. The Design-Build Team may request its state certified appraiser(s) be added to the approved state certified appraiser list, subject to approval by the Department’s Area Appraiser and State Appraiser.
- The Department will develop or contract with a private firm to develop and provide a second appraisal for parcels as noted below:
  - All parcels with an initial appraisal, with just compensation, equal to or greater than one million dollars (\$1,000,000.00).
  - All parcels where the initial appraisal indicates damages to the remaining property equal to or greater than two hundred fifty thousand dollars (\$250,000.00), where damages to the remaining property are defined as a loss in value to the remaining land, and / or improvements and / or a cost to cure.
- The NCDOT, or its agent, will provide appraisal reviews complying with the Department’s *Uniform Appraisal Standards and General Legal Principles for Highway Right of Way Acquisitions*. The reviewer will ensure that the appraisal meets the Department’s guidelines and requirements, conforms to acceptable appraisal standards and techniques, does not include any non-compensable items or exclude any compensable items and that the value conclusions are reasonable and based on facts presented in the appraisal. The reviewer has



the authority to approve, adjust, request additional data or corrections, or not to recommend and request another appraisal. Within ten business days from the date of receipt, all appraisals and / or appraisal corrections will be reviewed by NCDOT Review Appraisers or Review Appraisers under contract to the corresponding NCDOT Area Appraisal Office. The NCDOT will sign as approving any and all appraisals to be used in acquisitions.

- The NCDOT will provide relocation reviews and approvals for all Replacement Housing Payment calculations and all Rent Supplement Payment calculations prior to the Design-Build Team making any offers to the displacees. Within five business days of the receipt of the Replacement Housing Payment or Rent Supplement Payment calculation documentation, which shall include all documentation required for an Evaluation Package, the Department will approve the calculation, and the signed FRM15-D will be returned to the Design-Build Team, or a request for an updated calculation or documentation will be presented to the Design-Build Team for further handling. At this time, the Relocation Coordinator in the NCDOT Right of Way Unit is the approving authority for the aforementioned calculations.
- The Design-Build Team shall coordinate with the Health Department to determine if septic systems can be relocated / modified to remain operational. To assist with the aforementioned determinations, the Design-Build Team may utilize a third-party consultant to perform the septic system inspections only in the Health Department approves the third-party consultant, in writing, prior to the inspections beginning. The Department will only be responsible for the Health Department fees and / or third-party fees associated with these determinations. The Design-Build Team shall determine the relocation / modification design and construction costs required for the septic systems to remain operational and include these costs in the property right of way appraisals. (Reference the Utilities Coordination Scope of Work found elsewhere in this RFP)
- All Claims for Payment involving relocation benefits must be submitted to the NCDOT Relocation Coordinator in the Right of Way Unit for approval and processing.
- At the conclusion of the right of way acquisition process, the Design-Build Team shall provide a right of way certification to the Division Right of Way Agent.
- The Design-Build Team shall prepare Right of Way Transmittal Summaries and / or Narrative Appraisals for all right of way, control of access and easement acquisitions. Claim Reports will not be allowed for any acquisition.
- In accordance with Chapter 133 of the *General Statutes of North Carolina*, Section 133-40, the Council of State must approve acquisition of property with contaminated soil. Thus, prior to acquiring right of way, control of access and / or easement from any parcel with contaminated soil, the Design-Build Team shall provide a written priority list of all properties with contaminated soil that require right of way, control of access and / or easement acquisition to the Division Right of Way Agent, the Area Negotiator, the Area

Appraiser, and the Real Property Coordinator, Terry Niles. At a minimum, the aforementioned priority list shall contain the following information:

- Project TIP Number, description and county
- Parcel number(s) requiring acquisition of contaminated soil
- Acquisition Appraisal(s)
- GeoEnvironmental Impact Evaluation and Hazardous Materials Report provided by the Department
- Description, with metes and bounds, of the area(s) to be acquired

The Department will require 90 days from receipt of the information noted above to coordinate with the Council of State and obtain their approval for the acquisition of contaminated property.

**SIGNING SCOPE OF WORK** (3-20-18)**Project Description**

The Design-Build Team shall prepare Signing Plans for the entire project limits, including but not limited to, advance and other necessary signing outside of the roadway construction limits.

**Websites and References**

The Design-Build Team shall prepare Signing Plans in accordance with the information on the following websites, the version of the following references effective on the Technical Proposal submittal date, and the contract requirements contained herein:

- The Signing and Delineation Unit website:

**<https://connect.ncdot.gov/resources/safety/Pages/Signing-and-Delineation.aspx>**

- Traffic Engineering Practices, Policies, and Legal Authority (TEPPL):

**<https://connect.ncdot.gov/resources/safety/Teppl/Pages/Teppl-Select-Topics.aspx>**

- *Manual on Uniform Traffic Control Devices* (MUTCD):

**[http://mutcd.fhwa.dot.gov/kno\\_2009r1r2.htm](http://mutcd.fhwa.dot.gov/kno_2009r1r2.htm)**

- *NC Supplement to the Manual on Uniform Traffic Control Devices*:

**<https://connect.ncdot.gov/resources/safety/TrafficSafetyResources/2009%20NC%20Supplement%20to%20MUTCD.pdf>**

- *Standard Specifications for Structural Supports for Highway Signs, Luminaires, and Traffic Signals* (AASHTO):

**[https://bookstore.transportation.org/collection\\_detail.aspx?ID=126](https://bookstore.transportation.org/collection_detail.aspx?ID=126)**

- *Guidelines for Preparation of Signing Plans for Design-Build Projects*

**<https://connect.ncdot.gov/letting/Pages/Design-Build-Resources.aspx>**

- *Design-Build Submittal Guidelines*

**<https://connect.ncdot.gov/letting/Pages/Design-Build-Resources.aspx>**

- *NCDOT Standard Specifications for Roads and Structures*

- *NCDOT Roadway Standard Drawings*

In case of conflicting design parameters, and / or ranges, in the various resources, the proposed design shall adhere to the most conservative values, unless noted otherwise elsewhere in this RFP.

### **Signing Requirements for Technical Proposal**

The Design-Build Team shall select a Private Engineering Firm (PEF) that has experience in the preparation, design, and sealing of Signing Plans for NCDOT on comparable projects. The Technical Proposal shall list projects, where the Signing Plans were developed by the PEF, including description and similarity to the subject project.

The Design-Build Team shall include a Preliminary Signing Concept Map in the Technical Proposal. At a minimum, the aforementioned Concept Map shall include all anticipated DMS locations, all proposed overhead sign structure locations, all overhead signs, and all ground mounted guide signs.

### **Signing and Pavement Marking Plans Submittal Requirements**

Prior to submitting the 50% Preliminary Signing Plans, the Design-Build Team, the Division Traffic Engineer, the Regional Traffic Engineer, the Signing and Delineation Regional Engineer and the Design-Build Unit shall meet to discuss and review the Design-Build Team's 25% Preliminary Signing Plans.

The Design-Build Team shall provide 25% Pavement Markings Plans that have been reviewed and accepted by the Department and the latest Roadway Plans with the 50% Preliminary Signing Plans submittal.

### **Signs to be Furnished by Design-Build Team**

The Design-Build Team shall furnish signs in accordance with the specifications provided by the NCDOT.

### **Signing Project Limits**

Unless noted otherwise elsewhere in this RFP, the Design-Build Team shall design, fabricate and install all Type A, B, D, E and F signs and supports (including overhead sign structures) required through the construction limits of the mainline, as well as all -Y- Lines, all collector-distributor roads, all service roads, all turn-arounds / cul-de-sacs, and all ramps and loops. Unless noted otherwise elsewhere in this RFP, the Design-Build Team shall design, fabricate and install all signs required beyond the roadway construction limits of the mainline, all -Y- Lines, all collector-distributor roads, all service roads and all turn-arounds / cul-de-sacs to ensure adequate advance signage and spacing is provided.

## Sign Designs

The Design-Build Team shall include all sign designs in the Signing Plans. All sign designs shall be prepared using the latest version of GuideSign software.

The Design-Build Team shall design, fabricate and install all signs required for the mainline, all -Y- Lines, all collector-distributor roads, all ramps and loops, all service roads and all turn-arounds / cul-de-sacs, including Type A and B overhead signs, Type A, B, and D ground mounted signs, and exit gore signs. The Design-Build Team shall size and locate all Type E signs (warning and regulatory) and Type F signs (route marker assemblies).

The Design-Build Team shall design, fabricate and install mile markers for I-40 and I-77 at **1-mile** intervals along both sides of the mainline. The Design-Build Team shall install each mile marker on one three-pound U-channel post. Mile markers shall be located at the outside shoulder point or a maximum of 15 feet from the edge of travel lane. The Design-Build Team shall install mile markers such that the bottom of the mile marker shall be four feet above the edge of travel lane (edgeline) elevation. At whole mile locations, mile marker designs shall be in accordance with the Reference Location Signs (D10-2) referenced in the Standard Highway Signs (2004 Edition and the 2012 Supplement to the 2004 Edition).

The Design-Build Team shall design, fabricate and install mile markers and exit numbers in accordance with the mile numbers provided by the Department.

At all interchange exit loops and / or as required by the MUTCD Table 2C-5, the Design-Build Team shall fabricate and install advisory speed signing as shown in Figure 2C-3 of the MUTCD. In addition to signing shown in Table 2C-5 of the MUTCD, the advisory speed signing shall include W13-6, W13-7, W1-13R, and E13-1P signs.

The Design-Build Team shall design, fabricate and install 30" x 36" Chevron Alignment signs (W1-8) along all interchange loops. Each Chevron Alignment sign shall be:

- installed on two U-channel posts spaced 24" apart with cross bracing
- located and installed so the bottom of the sign is four feet above the edge of the travel lane elevation (left edge of the loop)

The first Chevron Alignment sign shall be installed as close as practical after the exit gore sign (approximately 20' from the exit gore sign), and shall not interfere with or block the exit gore sign. The first five Chevron Alignment signs shall be spaced approximately 40' apart and oriented to optimize the view of approaching motorists. After these first five Chevron Alignment signs, or beyond the midpoint of the curve, Chevron Alignment sign spacing shall adhere to the MUTCD requirements.

Prior to submittal of RFC Signing Plans, the Design-Build Team shall coordinate with the Signing and Delineation Unit and the Design-Build Unit on destination cities and / or street names on guide signs.

**Logo Signs (Blue Service Signs with Specific Business Panels)**

The Design-Build Team will not be responsible for designing, locating or installing any additional Logo Signs not located within the project limits on the Technical Proposal submittal date.

Prior to project completion, the Design-Build Team shall relocate, reinstall and / or replace all existing Logo Signs located within the project limits on the Technical Proposal submittal date that are impacted by the Design-Build Team's design and / or construction methods.

If damage occurs to the Logo Signs and / or the business panels during construction, the Design-Build Team shall immediately notify the Division Logo Coordinator. The Design-Build Team shall replace all Logo Signs and / or business panels that are damaged during construction. If the Logo Signs are replaced, the Design-Build Team shall remove the business panels and deliver them to the Division Logo Coordinator. During project construction, the Design-Build Team shall maintain the Logo Signs order of preference in accordance with the *MUTCD* Section 2J.01.

**Sign Sheeting Requirements for Overhead Signs**

The Design-Build Team shall design and fabricate all overhead signs with Grade A retro-reflective sheeting for sign legends (text), borders, and all Interstate, US and NC route shields and arrows. The Design-Build Team shall design and fabricate all overhead signs with Grade C retro-reflective sheeting for the background.

Black non-reflective sheeting shall be used for all black arrows, legends (text), and borders on overhead signs.

**Speed Limit**

The posted speed limit for the I-40 shall be 60 mph. The posted speed limit for I-77 shall be 55 mph. (Reference the Roadway Scope of Work found elsewhere in this RFP)

**Interstate, US and NC Route Designation**

The Design-Build Team shall coordinate all interstate, US and NC highway routing with the Traffic Mobility and Safety Division of NCDOT. Prior to designing any signs that display new or revised Interstate, US or NC routes, the Design-Build Team shall confirm all highway routes with the Department. Concurrent with the Release for Construction (RFC) Signing Plans submittal, the Design-Build Team shall notify the State Signing and Delineation Engineer, in writing, of all new or revised Interstate, US or NC routes.

**Sign Locations**

The Design-Build Team shall determine the station location of all signs and sign structures.

The Design-Build Team shall provide a minimum of two advanced guide signs for all freeway / expressway interchange approaches.

To avoid placing a sign or sign structure in a location that might be in conflict with future roadway projects and / or limit its usefulness / lifespan, the Design-Build Team shall coordinate all proposed sign designs and locations with the Department.

### **Ground Mounted Sign Supports**

The Design-Build Team shall design, fabricate and install ground mounted signs supports in accordance with the NCDOT Roadway Standard Drawings. The associated software for the design of Type A and B ground mounted sign supports, may be referenced on the website noted below:

**<https://connect.ncdot.gov/resources/safety/Pages/Signing-and-Delineation.aspx>**

Prior to installation, the Design-Build Team shall 1) field verify all Type A and B ground mounted sign supports, 2) recalculate the field verified S-Dimensions, using the latest edition of the design software on the website noted above, and 3) revise the beam sections, where applicable. The Design-Build Team shall use the most recent version of the ground mounted sign support selection workbook tool, in accordance with the submittal schedule outlined in the “Instructions” tab of the tool.

Unless otherwise approved by the Department, the vertical mounting height for ground mounted Type D, E and F signs shall be a minimum of seven feet and maximum of eight feet from the edge of the travel lane to the bottom of the sign.

On freeways and expressways, the minimum lateral offset for Type A and B ground mounted signs on breakaway supports shall be 30 feet, unless approved otherwise by the Department. The lateral offset shall be measured from the edge of the travel lane closest to the shoulder to the closest sign edge.

On freeways and expressways, all Type A and B ground mounted signs on simple (non-breakaway) supports shall be protected by guardrail, barrier or another form of approved positive protection. The minimum lateral distance between the face of guardrail and the closest sign edge shall be six feet.

Unless noted otherwise elsewhere in this RFP, all Type D, E and F signs shall be installed on U-channel posts in accordance with the NCDOT Roadway Standard Drawings. Type D signs shall not exceed eight feet in width and / or 24 square feet. Unless positively protected, all Type D signs shall be installed on a maximum of two U-channel posts.

### **Proposed Overhead Sign Structures**

The Design-Build Team shall consider the proposed roadway geometry, number of lanes, and all advisory signing needs when selecting the type of overhead signing for a given location. At a

minimum, the Design-Build Team shall provide overhead signing at the locations identified in the MUTCD, Section 2E.24 – Signing for Interchange Lane Drops, Section 2A.17 - Overhead Sign Installations, Items A – M, and the following locations, unless allowed otherwise elsewhere in this RFP:

- An option lane at a freeway / expressway multi-lane exit or freeway / ramp split (use Arrow Per Lane signs)
- A freeway lane ends (freeway lane drop)
- Three or more lanes on a freeway

The Design-Build Team shall locate and design all Bridge Mounted Overhead Sign Structures, if placement of proposed overhead structures are located along the bridge structures on -RPAC-, -RPC- and -RPCA-.

The wind speed for the overhead sign structure and foundation designs for this project shall be 90 mph.

The Design-Build Team shall design, fabricate and install overhead sign supports and foundations in accordance with Section 906 of the NCDOT *Standard Specifications for Roads and Structures*, the *Foundations and Anchor Rod Assemblies for Metal Poles*, and *Overhead and Dynamic Message Sign Foundations* Project Special Provisions found elsewhere in this RFP.

The vertical clearance beneath all proposed overhead sign assemblies shall be no less than 17 feet and no greater than 18 feet. For all proposed overhead sign assemblies, the Design-Build Team shall submit documentation that verifies the actual vertical clearance at all critical points.

For all overhead sign assemblies mounted on concrete median barrier, the Design-Build Team shall design, fabricate and install median barrier footing and median transitional barrier in accordance with the 2018 Roadway Standard Drawing No. 854.05.

The maximum span length for cantilever overhead sign structures shall be 52 feet.

Lighting and walkways will not be required on any overhead sign assembly.

Overhead signs shall not be attached to existing or proposed bridges.

### **Proposed Overhead Wind Load Area**

Overhead sign structures shall be designed for proposed and future signs. The designer shall determine wind load areas and include the wind load areas on the overhead sign structure drawings. The wind load area for the sign structures shall be determined according to the following:

- **Case A, Identified Future Signs:** For sign structures that have an identified need for larger future signs, the future signs shall be designed and shown on the overhead sign structure drawings. Future sign messages, sizes, and positions shall be shown on the elevation



drawings. The largest potential wind load area shall be used for the design of the overhead structure.

- **Case B, General Future Wind Load Area:** For overhead signs without identified future signs, the structure shall be designed for a larger wind load area to accommodate future signs that are not identified at the time of the structure design. General future wind load area sizes and positions shall be shown on the elevation drawings. The general future wind load area shall be computed as follows:
  - The wind load area shall be rectangular for each primary sign including secondary and supplemental signs.
  - The wind load area width shall extend 2' outside the proposed primary sign on each side of the sign. In cases where the wind load areas of two signs intersect, the taller area shall take priority. For cantilever structures, the wind load area shall be flush with the edge of the primary sign at the cantilevered end, such that the wind load areas do not extend past the end of a cantilever sign structure.
  - The wind load area height shall extend 2' below the bottom of each sign and 2' above the top of each sign, including secondary and supplemental signs as well as the spacing between signs according to Roadway Standard Drawing No. 904.20, and excluding temporary "all traffic exit" signs. The minimum vertical clearance shall be measured from the bottom of the lowest wind load area.
- **Case C, Exceptions from Case B:** The following are exempted from Case B, general future wind load areas:
  - Arrow Per Lane Signs
  - Interchange Sequence Signs

### **Existing Overhead Structures**

Prior to modifying an existing overhead sign assembly to accommodate proposed signs that exceed the original wind load area, the Design-Build Team shall perform a structural analysis of the overhead sign structure. The Design-Build Team shall obtain Department acceptance of the structural analysis prior to construction. The Design-Build Team shall replace all existing overhead sign assemblies determined to be structurally inadequate for the proposed modifications, in the Department's sole discretion. The Design-Build Team may modify an existing overhead sign assembly to accommodate proposed signs that do not exceed the original wind load area without performing the aforementioned structural analysis.

When the aforementioned structural analysis determines that an existing overhead sign structure is structurally adequate to be retained or the proposed wind load area does not require a structural analysis, the Design-Build Team shall remove and dispose of all the existing overhead signs. The Design-Build Team shall install new signs on the retained existing overhead sign structure that adhere to the requirements herein. The Design-Build Team shall prepare Structure Line

Drawings that depict 1) the existing signs to be removed, 2) the existing sign sizes, 3) the new sign designs, 4), the vertical clearance of all new signs, 5) the new signs positioning over travel lanes, 6) the lateral placement from supports, 7) the original wind load area, and 8) confirmation that the proposed wind load area does not exceed the original wind load area.

If the Department can't provide existing overhead structure line drawings or shop drawings of the existing overhead sign structure, the Design-Build Team shall design and install new overhead sign structures.

The minimum vertical clearance beneath all existing overhead sign assemblies that are retained shall be 17 feet. For all existing overhead sign assemblies retained, the Design-Build Team shall submit documentation that verifies the actual vertical clearance at all critical points.

### **Shop Drawings for Overhead Sign Structures**

The Design-Build Team shall prepare a shop drawing for each proposed and modified overhead sign structure for the Department's review and approval. For shop drawing design and submittal requirements, see *Guidelines for Preparation of Signing Plans for Design-Build Projects* and the *NCDOT Standard Specifications for Roads and Structures*.

### **Guardrail or other Positive Protection for Overhead Sign Supports**

Except as allowed below, overhead sign supports shall be located a minimum of 40 feet from the edge of the outside travel lane to the center of the sign supports. To minimize right of way, utility, drainage and / or jurisdictional impacts, or to allow a cantilever overhead sign assembly in lieu of a full-span overhead sign assembly, the minimum 40-foot offset may be reduced, at the Department's sole discretion. All overhead sign supports that are not located a minimum of 40 feet from the edge of the outside travel lane to the center of the sign support shall be protected by guardrail or other NCDOT approved positive protection barrier. When an overhead sign support is protected by guardrail, the face of the guardrail shall be located a minimum of eight feet from the center of the sign support.

The Design-Build Team shall review the protection for all existing overhead structure supports that are retained to determine if the existing positive protection meets current requirements. If the positive protection does not meet current requirements, the Design-Build Team shall design and construct new positive protection that adheres to the current requirements.

Cable-guide rail shall not be used as positive protection for overhead sign supports.

### **Verification of Theoretical Information shown on Structure Line Drawings**

The Design-Build Team shall verify the information on the Structure Line Drawings prior to submittal of shop drawings for the Department's review and acceptance. At a minimum, the aforementioned verification shall include confirmation of the sign(s) positioning over lanes, span length, sign offsets, s drops, and the slopes at the center line of the support / upright. When

theoretical dimensions or slopes are revised during construction, the Design-Build Team shall submit a revised Structure Line Drawing with the shop drawing.

### **Removal and Disposal of Existing Signs**

The Design-Build Team shall determine which existing signs, sign supports, overhead signs, and / or overhead sign supports will not be needed or relevant when the project is completed. The Design-Build Team shall remove and dispose of these signs and sign supports.

### **Temporary Sign and Support Design**

The Design-Build Team shall locate, design and install all temporary signs and sign supports. (Reference the Signing Requirements Section of the Transportation Management Scope of Work found elsewhere in this RFP for additional temporary signing requirements)

### **Sign Maintenance**

During project construction, the Design-Build Team shall maintain all existing signs within the project limits (including all Logo signs and temporary sign installations that may be required by the Transportation Management Plans) to ensure the signs are in good condition, perform as intended, and are visible to motorists. (Reference Articles 901-4 and 1092-2 of the NCDOT *Standard Specifications for Roads and Structures*) All signs and supports remaining / existing at the completion of this project shall be plumb, oriented correctly and adhere to AASHTO requirements.

### **CADD Files**

After acceptance of RFC Signing Plans, the Design-Build Team shall provide the final Signing Plans to the Department in .pdf and MicroStation format.

### **Construction Revisions**

After submittal of RFC Signing Plans, the Design-Build Team shall submit all construction revisions to the Department for review and acceptance prior to incorporation.

### **As-Built Plans**

After project completion, the Design-Build Team shall provide final electronic Signing Plans to the Department. At a minimum, these Signing Plans shall include all revisions that occurred during construction, as well as field verifications for ground mounted sign supports and overhead structures. These Signing Plans shall be provided in .pdf and MicroStation format.

**STRUCTURES SCOPE OF WORK** (6-25-18)**Project Details**

The Design-Build Team shall design and construct all structures necessary to complete the project, including but not limited to, the following:

- New bridge on -YRPCA- over wetlands, -YLPC-, I-40 (-L-), I-77 (-Y-) and -YRBD-
- New bridge on -YRPAC- over wetlands, -YRBD-, I-77 (-Y-), I-40 (-L-) Museum Greenway and Fourth Creek
- New bridge on -YRPC- over Museum Greenway and Fourth Creek
- Replace dual bridge Nos. 169 & 170 on I-77 (-Y-) over I-40 (-L-)
- Replace the double 7' X 7' reinforced concrete box culvert with a bridge on I-40 (-L-) over unnamed creek
- Widen dual bridge Nos. 569 & 570 on I-40 (-L-) over -YRPBD-
- New bridge on -YRPAC- over unnamed creek
- Replace dual bridge Nos. 158 & 161 on I-77 (-Y-) over Fourth Creek and Museum Greenway with a single structure (Reference the Hydraulics Scope of Work found elsewhere in this RFP)
- Replace bridge No. 154 on SR 2321 (East Broad Street) (-Y9-) over I-77 (-Y-)
- Replace bridge No. 55 on US 64 / Davie Avenue (-Y10-) over I-77 (-Y-)
- All reinforced concrete box culverts / reinforced concrete box culvert extensions required by the Design-Build Team's design
- All retaining walls required by the Design-Build Team's design
- All sound barrier walls required by the Design-Build Team's design (Reference the Roadway Scope of Work found elsewhere in this RFP)

All bridges shall meet the approved roadway typical sections and grades. Bridge geometry (width, length, skew, span arrangement, etc.) shall be in accordance with the accepted Structure Recommendations and / or the accepted Hydraulic Bridge Survey Report prepared by the Design-Build Team.

**\*\*NOTE\*\*** Deleted paragraph on approach slabs

The minimum horizontal setbacks from the closest edge of travel lane to face of barrier in front of walls shall be 14'-0" for bridges over interstates, freeways, and arterials. The minimum horizontal setback from the closest face of curb and gutter to the face of barrier in front of walls shall be 12'-0" for bridges over all curb and gutter facilities. Bridges over waterways shall be designed and constructed with spill through slopes with rip rap protection. End bents and end slopes at each end of a bridge shall have the same appearance.

The minimum vertical clearance for bridges constructed over all interstates, freeways and arterials shall be 17'-0". The minimum vertical clearance for bridges constructed over all local roads and collector roads shall be 15'-6". The minimum vertical clearance for bridges constructed over all greenways shall be 10'-0". The minimum horizontal clearance for bridges constructed over all greenways shall be 10'-0" with a 2'-0" shoulder on each side.

Unless noted otherwise elsewhere in this RFP, all proposed bridge barrier rails shall be per Standard Drawing CBR1.

The Design-Build Team shall include an impact attenuator at -YRPCA- and -YRPC- bifurcation.

The Design-Build Team shall apply non-sacrificial anti-graffiti coating on all exposed surfaces of sound barrier walls and all retaining walls. (Reference the *Architectural Concrete Surface Treatment* Project Special Provision found elsewhere in this RFP)

The number of expansion joints for each structure shall be kept to a minimum. Structures shall be integral if the criteria listed in the NCDOT *Structures Management Unit Manual* is met. The criteria in Section 6.2.3.2 of the NCDOT *Structures Management Unit Manual*, shall apply to all roadways, including Secondary Routes that meet the criteria for North Carolina Routes.

A live load rating chart for proposed girders shall be included with the bridge plans and shall state design assumptions and methodology used in the load rating calculations. The load rating shall be in accordance with the NCDOT *Structures Management Unit Manual*, including Policy Memos, and the latest edition of the AASHTO's *Manual for Bridge Evaluation*.

The Design-Build Team shall obtain Structure Numbers from NCDOT for all new bridges. For proposed bridges, the Design-Build Team shall include Structure Numbers on the applicable design layout sheets, all plans and all correspondence with NCDOT pertaining to bridge work

The Design-Build Team shall design and construct bridges to have a minimum of 1'-6" overburden (cover) on tops of bridge substructure footings.

In accordance with the **Roadway** Scope of Work found elsewhere in this RFP, the Design-Build Team may replace the greenway pedestrian bridge over a **Tributary to Fourth Creek** with a drainage structure that is appropriately sized for the hydraulic conveyance. If the aforementioned pedestrian bridge is replaced, it shall remain the property of the City of Statesville. The Design-Build Team shall load and deliver the pedestrian bridge to 301 South Center Street, Statesville, NC. The Design-Build Team shall notify Brendon Pritchard, PE at (704) 878-3552 a minimum of one week prior to delivery of the pedestrian bridge.

Unless noted otherwise elsewhere in this RFP, the following will not be allowed on the project:

- Cored slab, box beam, fracture critical, deck girder and cast-in-place deck slab bridges
- Precast bridge barrier rails
- Empirical method for deck design
- Precast reinforced box culverts, including but not limited to extensions
- Metal plate arch culverts
- Interior pile bents at roadway grade separations
- Attachment of sign structures to bridge superstructure
- Bridge attachments (e.g. ITS conduit, waterlines) in the overhang of bridge structures
- Casting of conduit in the bridge deck or barrier rail for roadway bridges
- Bridge piers adjacent to a roadway shoulder, excluding interior median piers
- Modular expansion joints
- Monotube or cantilever DMS (if required on project) support structures

## Removal of Existing Structures

In accordance with the 2018 *Standard Specifications for Roads and Structures*, the Design-Build Team shall remove and dispose of the following existing structures:

- Bridge Nos. 169 & 170 on I-77 (-Y-) over I-40 (-L-)
- Double barrel 7' x 7' reinforced concrete box culvert under I-40 at unnamed creek
- Bridge Nos. 158 & 161 on I-77 (-Y-) over Fourth Creek and Museum Greenway
- Bridge No. 154 on SR 2321 (East Broad Street) (-Y9-) over I-77 (-Y-)
- Bridge No. 55 on US 64 / Davie Avenue (-Y10-) over I-77 (-Y-)
- Bridge Nos. 157 and 162 on I-40 (-L-)

In accordance with the *Asbestos Assessment for Bridge Demolition and Renovation Activities* Project Special Provision located on the Structures Management Unit's website, the Design-Build Team is cautioned that all the aforementioned bridges require an asbestos survey / inspection prior to demolition.

The Design-Build Team is cautioned that all the aforementioned bridges may be coated with red lead paint. In accordance with the 2018 *Standard Specifications for Roads and Structures*, the Design-Build Team shall handle, remove, ship, and dispose of all red lead painted elements.

## Box Culverts

As required by the Design-Build Team's design, the Design-Build Team shall design and construct all proposed reinforced concrete box culverts and lengthen or replace all existing reinforced concrete box culverts. Reinforced concrete box culvert designs shall be in accordance with the latest edition of the AASHTO *LRFD Bridge Design Specifications* and the Hydraulic Culvert Survey Reports prepared by the Design-Build Team and accepted by the Department. (Reference the Hydraulics Scope of Work found elsewhere in the RFP)

A live load rating chart for reinforced concrete box culverts and reinforced concrete box culvert extensions shall be included in the culvert plans. A live load rating chart will not be required for the existing section of reinforced concrete box culverts that are extended.

## Sound Barrier Walls

The Design-Build Team shall design and construct all sound barrier walls required by the Design-Build Team's design. (Reference the Roadway Scope of Work found elsewhere in this RFP)

Regardless of wall height, sound barrier walls shall be designed in accordance with the latest edition of the AASHTO *LRFD Bridge Design Specifications* with a minimum base wind pressure of 40 psf.

All proposed sound barrier wall surfaces shall have equivalent surface treatment. (Reference the *Architectural Concrete Surface Treatment* Project Special Provisions found elsewhere in this RFP)

All ground mounted sound barrier walls shall be detailed in accordance with Structure Standard Drawings SBW1 and SBW2, and concrete piles shall be used. (Reference the *Sound Barrier Wall* and *Architectural Concrete Surface Treatment* Project Special Provisions, and the Roadway Scope of Work found elsewhere in this RFP)

### **General**

The Design-Build Team's primary design firm shall be on the Department's list of firms qualified for structure design and maintain an office in North Carolina.

Excepted as allowed otherwise elsewhere in this RFP, designs shall be in accordance with the latest edition of the *AASHTO LRFD Bridge Design Specifications* (with exceptions noted in the *NCDOT Structures Management Unit Manual*), *NCDOT LRFD Driven Pile Foundation Design Policy*, *NCDOT Structures Management Unit Manual* (including Policy Memos) and *NCDOT Bridge Policy Manual*.

Use of Florida Department of Transportation Prestressed Florida I-Beams (FIB), the Prestressed Concrete Committee for Economic Fabrication (PCEF) prestressed concrete girders, and Modified Bulb Tee girders will be allowed. However, the structural details associated with the aforementioned items, including but not limited to mild reinforcing and reinforcing cover, shall be subject to Department review and acceptance post-award.

Unless noted otherwise elsewhere in this RFP, all construction and materials shall be in accordance with 2018 *NCDOT Standard Specifications for Roads and Structures*, *NCDOT Structures Management Unit Project Special Provisions* and *NCDOT Structures Management Unit Standard Drawings*.

Alternate designs, details or construction practices (such as those employed by other states, but not standard practice in NC) are subject to Department review and approval, and will be evaluated on a case by case basis.

**TRAFFIC SIGNAL, SIGNAL COMMUNICATION AND SIGNAL SYSTEM TIMING  
SCOPE OF WORK** (7-16-18)**I. GENERAL**

The Design-Build Team shall design and prepare plans for the temporary traffic signal installations required by the construction phasing and / or detour routes, permanent traffic signal installations, traffic signal revisions, signal communication plans and signal system timing plans for connection into either the SR 2158 (Old Mocksville Road) Closed Loop Signal System or the proposed Closed Loop Signals System along SR 2321 (East Broad Street). This work shall include, but not be limited to, the preparation of Traffic Signal Plans, Metal Pole Loading Diagrams, Electrical and Programming Details, Utility Make-Ready Plans, Signal Communication Fiber Optic Communication and Splicing Plans, Wireless Communication Plans, Signal System Timing Plans and Project Special Provisions. These plans shall be prepared in accordance with the *Design-Build Submittal Guidelines* and the *Guidelines for the Preparation of ITS & Signal Plans by Private Engineering Firms* available on the Design-Build Unit's website located at:

**<https://connect.ncdot.gov/letting/Pages/Design-Build-Resources.aspx>**

The Design-Build Team shall select a Private Engineering Firm (PEF) that has experience designing and sealing Traffic Signal Plans, Signal Communications Plans and Signal System Timing Plans for NCDOT on comparable projects. The Technical Proposal shall list projects, including description and similarity to the subject project, for which the PEF has developed Traffic Signal Plans, Signal Communication Plans and Signal System Timing Plans.

A pre-design meeting shall take place between the NCDOT ITS & Signals Unit, the Design-Build Team, NCDOT Division 12 Traffic Engineer, NCDOT Regional Traffic Engineer, and any other pertinent NCDOT personnel before ITS & Signal design begin. Traffic Signal Plans, Signal Communication Plans and Signal System Timing Plans shall only be reviewed and accepted by the NCDOT ITS & Signals Unit after this pre-design meeting. All Traffic Signal Plans, Signal Communications Plans and Signal System Timing Plans shall be accepted by the ITS & Signals Unit prior to beginning the associated traffic signal construction or plan implementation.

The Design-Build Team shall coordinate and implement all signal designs at the appropriate time as directed by the Engineer. Prior to final design and installation, the Design-Build Team shall coordinate all signal phasing recommendations with the Division Traffic Engineer, the Regional Traffic Engineer and the ITS & Signals Unit. Prior to placing traffic in a new pattern, all traffic signals shall be installed and operational, including but not limited to, Signal System Timing Plans and interconnection to the Signal System, if required below.

The Design-Build Team shall maintain, monitor and adjust the traffic signals, both vehicle and pedestrian, as needed throughout the project construction. The Design-Build Team shall be responsible for the design and implementation of all temporary signal designs, including but not limited to signal system timing plans, needed to maintain vehicular and pedestrian traffic during construction, and all final traffic signal timing plans for the ultimate traffic configurations. If



necessary, temporary traffic signal designs and implementation, shall include, but not be limited to, new local controllers, signal timing, cables, poles, signal span, cabinets, and signal heads.

**Throughout the project construction, the Design-Build Team shall maintain full actuation of all traffic signals located within the project limits, unless allowed otherwise by the Engineer in writing.**

The Design-Build Team shall incorporate all traffic signals on this project into their respective signal system as detailed below. To connect sidewalk networks, the Design-Build Team shall provide crosswalks and pedestrian signal heads for all approaches, as appropriate, based on field conditions and project recommendations from the Division Traffic Office. Crosswalks and pedestrian signal heads will not be required where there is no existing or proposed sidewalk.

The Design-Build Team shall deliver all existing metal poles, traffic signal heads, existing traffic signal controllers, signal cabinets and their contents, including but not limited to fiber modems, telephone modems, radio equipment, that are not reinstalled on this project to:

- Division 12 Traffic Services Office: 230 Kemper Road Shelby, 28152

The Design-Build Team shall dispose of and / or retain ownership of all other traffic signal equipment.

The Design-Build Team shall be responsible for providing a safe and economical design for the public. The Design-Build Team shall prepare all plans and designs in accordance with the current ITS & Signals Unit design standards, including but not limited to, the version of the following documents effective on the Technical Proposal submittal date:

- NCDOT *Standard Specifications for Roads and Structures*
- NCDOT *Standard Roadway Drawings*
- ITS & Signals Unit Project Special Provisions
- ITS & Signals Unit Design Manual
- *Manual on Uniform Traffic Control Devices (MUTCD)*
- *North Carolina Supplement to the Manual on Uniform Traffic Control Devices (NCMUTCD)*
- *Guidelines for the Preparation of ITS & Signal Plans by Private Engineering Firms*
- Traffic Systems Operations' Project Special Provisions - (Special Provisions for the Preparation of Coordinated Traffic Signal System Timing Plans – Version 2011.1)

Links to additional ITS & Signals Unit design standards and aides are available on website noted below:

<https://connect.ncdot.gov/resources/safety/Pages/ITS-and-Signals.aspx>

## II. TRAFFIC SIGNALS

The Design-Build Team shall modify / upgrade four (4) existing traffic signals along the SR 2158 (Old Mocksville Road) / US 64, modify / upgrade four (4) existing signals along

SR 2321 (East Broad Street) and remove one (1) existing traffic signal along SR 2321 (East Broad Street). (Reference Section III for the system interconnection requirements.) The vehicle detection for the final traffic patterns shall be inductive loop detection. The Design-Build Team may provide video detection only for temporary traffic patterns during construction. Unless allowed otherwise elsewhere in this RFP, the required traffic signal work and signal communications for each intersection are listed below:

<b>SR 2158 (Old Mocksville Road) / US 64</b>		
<b>Signal Inventory Number</b>	<b>Intersection Description</b>	<b>Work Requirements</b>
<b>12-1794</b>	SR 2158 (Old Mocksville Road) at I-40 Westbound Ramps	The Design-Build Team shall modify / upgrade these four (4) existing traffic signals, as needed, to match all temporary construction phasing and the proposed final traffic pattern. This may require signal phasing changes, signal head changes, system detectors and / or system interconnection equipment.
<b>12-1795</b>	SR 2158 (Old Mocksville Road) at I-40 Eastbound Ramps	The Design-Build Team shall provide Flashing Yellow Arrow signal heads at all protected / permissive and permissive left turns and U-Turns.
<b>12-1065</b>	US 64 at SR 2158 (Old Mocksville Road)	The Design-Build Team shall install new <b>galvanized metal strain poles</b> at 12-1794, 12-1795 and 12-1065.  The Design-Build Team may reuse the existing wood poles at 12-1365.
<b>12-1365</b>	US 64 at SR 2320 (North Greenbrier Road) / SR 2207 (Martin Lane)	The Design-Build Team shall maintain and expand the required system communication equipment as described in Section III.

<b>SR 2321 (East Broad Street)</b>		
<b>Signal Inventory Number</b>	<b>Intersection Description</b>	<b>Work Requirements</b>
<b>12-0193</b>	SR 2321 (East Broad Street) at I-77 Southbound Ramps / Beechwood Road	<p>The Design-Build Team shall modify / upgrade these four (4) existing traffic signals, as needed, to match all temporary construction phasing and the proposed final traffic pattern. This may require signal phasing changes, signal head changes, system detectors and / or system interconnection equipment.</p> <p>The Design-Build Team shall design and install new, fully actuated traffic signals with 2070E controllers, operating OASIS Software, in a 170 cabinet with an auxiliary output file, including base extender.</p>
<b>12-0628</b>	SR 2321 (East Broad Street) at I-77 Northbound Ramps / Shopping Center	<p>The Design-Build Team shall provide Flashing Yellow Arrow signal heads at all protected / permissive and permissive left turns and U-Turns.</p> <p>The Design-Build Team shall install new <b>galvanized metal strain poles</b> at 12-0193, 12-0628 and 12-0314.</p> <p>The Design-Build Team may reuse the existing wood poles at 12-1664.</p>
<b>12-0314</b>	SR 2321 (East Broad Street) at SR 2422 (Signal Hill Road) / SR 2333 (Eastside Drive)	<p>The Design-Build Team shall provide crosswalks and <b>pedestrian signals</b> at 12-0193 (crossing the west leg and north leg), 12-0628 (crossing the east and north leg) and 12-0314 (crossing all four legs).</p> <p>The Design-Build Team shall maintain and expand the required system communication equipment as described in Section III.</p>
<b>12-1664</b>	SR 2321 (East Broad Street) at Bi-Lo Shopping Center	

<b>SR 2321 (East Broad Street) – Signal REMOVAL</b>		
<b>Signal Inventory Number</b>	<b>Intersection Description</b>	<b>Work Requirements</b>
<b>12-1203</b>	SR 2321 (East Broad Street) at Station Street / Signal Hill Shopping Center	<p>The Design-Build Team shall maintain / revise this traffic signal, as needed, during traffic shifts and construction phasing. Once the intersection is closed to cross street traffic, the Design-Build Team shall remove the traffic signal.</p> <p>The Design-Build Team shall deliver all existing traffic signal heads, existing traffic signal controllers, signal cabinets and their contents, including but not limited to fiber modems, telephone modems, radio equipment, that are not reinstalled on this project to:</p> <ul style="list-style-type: none"> <li>• Division 12 Traffic Services Office: 230 Kemper Road Shelby, 28152</li> </ul> <p>The Design-Build Team shall dispose of and / or retain ownership of all other traffic signal equipment.</p>

**III. SIGNAL COMMUNICATION PLANS**

**Wireless System 1:**

The Design-Build Team shall maintain the existing **Standalone Wireless Closed Loop Signal System (Wireless System1)** along SR 2158 (Old Mocksville Road) during all phases of the traffic signal construction.

Once construction of the signal modifications is complete, and signals are operating in their final pattern, the Design-Build Team shall remove the existing wireless system equipment along SR 2158 (Old Mocksville Road) and deliver the equipment to the following location:

- Division 12 Traffic Services Office: 230 Kemper Road Shelby, 28152

The Design-Build Team shall design, install and test a new **Standalone Wireless Closed Loop Signal System 1 (Wireless System1)**. The Design-Build Team shall include four (4) signals in the existing Wireless System 1 and add two (2) signals into the existing Wireless System 1 as noted below:

Signals in Existing Wireless System 1:

- **12-0958** SR 2158 (Old Mocksville Road) at Wilson Park Rd
- **12-1794** SR 2158 (Old Mocksville Road) at I-40 Westbound Ramps
- **12-1795** SR 2158 (Old Mocksville Road) at I-40 Eastbound Ramps
- **12-1065** US 64 at SR 2158 (Old Mocksville Road)

Signals to be added to Wireless System 1:

- **12-1365** US 64 at SR 2320 (Greenbrier Road) / SR 2207 (Marin Lane)
- **12-1817** US 64 at Love's Travel Stop / Peachtree Rd,

**Wireless System 2:**

The Design-Build Team shall maintain the existing **Standalone Wireless Closed Loop Signal System (Wireless System2)** along SR 2321 (East Broad Street) during all phases of the traffic signal construction. The Design-Build Team shall maintain the existing wireless system during the removal of existing traffic signal 12-1203 (SR 2321 (East Broad Street) at Station Street / Signal Hill Shopping Center), the roadway realignment of SR 2333 (Eastside Drive), and the relocation of signal 12-0314 at SR 2321 (East Broad Street) and SR 2422 (Signal Hill Road / SR 2333 (Eastside Drive).

Once signal construction and all signal modifications are complete, and signals are operating in their final pattern, the Design-Build Team shall remove the existing wireless system equipment along SR 2321 (East Broad Street) and deliver the equipment to the following location:

- Division 12 Traffic Services Office: 230 Kemper Road Shelby, 28152.

The Design-Build Team shall design, install and test a new **Standalone Wireless Closed Loop Signal System (Wireless System2)** along SR 2321 (East Broad Street). The Design-Build Team shall include five (5) signals in the existing Wireless System 2, remove one (1) signal from the existing Wireless System 2, and relocate one (1) signal in the existing Wireless System 2 as noted below:

Signals in Existing Wireless System 2:

- **12-0193** SR 2321 (East Broad St) at I-77 Southbound Ramps / Beechwood Road
- **12-0628** SR 2321 (East Broad St) at I-77 Northbound Ramps /Shopping Center
- **12-1203** SR 2321 (East Broad St) at Station Street / Signal Hill Shopping Center
- **12-0314** SR 2321 (East Broad St) at SR 2422 (Signal Hill Road) / SR 2333 (Eastside Drive)
- **12-1664** SR 2321 (East Broad Street) at Bi-Lo Shopping Center

Signal to be removed from Existing Wireless System 2:

- **12-1203** SR 2321 (East Broad Street) at Station Street / Signal Hill Shopping Center

Signal in Existing Wireless System 2 to be relocated to new location due to SR 2333 (Eastside Drive) Realignment:

- **12-0314** SR 2321 (East Broad Street) at SR 2422 (Signal Hill Road) / SR 2333 (Eastside Drive)

<b>Wireless System 1 Standalone Wireless Closed Loop Signal System along SR 2158 (Old Mocksville Road) / US 64</b>		
<b>Signal Inventory Number</b>	<b>Intersection Description</b>	<b>Work Requirements</b>
<b>12-0958</b>	SR 2158 (Old Mocksville Road) at Wilson Park Road	The Design-Build Team shall maintain the existing 900Mhz spread spectrum wireless radio system along SR 2158 (Old Mocksville Road) through all traffic signal construction phases and all traffic signal modifications. This may require modifying radio installations when new cabinet locations and new signal poles are installed and existing wireless radio equipment must be relocated. Modifying radio installation may include any or all the following items: relocating existing radio from an existing cabinet to a new cabinet, relocating or installing new coaxial cable, furnishing and installing new N-type connectors, furnishing new coaxial cable and shield grounding kits, relocating antenna mounting hardware, relocating antennas. This item of work may also involve converting an existing standalone radio site to a repeater site which would require installing an additional antenna and supporting hardware.
<b>12-1794</b>	SR 2158 (Old Mocksville Road) at I-40 Westbound Ramps	
<b>12-1795</b>	SR 2158 (Old Mocksville Road) at I-40 Eastbound Ramps	Once construction of the signal modifications is complete, and signals are operating in their final pattern, the Design-Build Team shall remove all existing radio equipment and deliver to: <ul style="list-style-type: none"> <li>• Division 12 Traffic Services Office: 230 Kemper Road Shelby, 28152</li> </ul>
<b>12-1065</b>	US 64 at SR 2158 (Old Mocksville Road)	Upon removal of the existing wireless equipment the Design-Build Team shall install a new 900Mhz spread spectrum wireless Ethernet standalone closed loop system along SR 2158 (Mocksville Road) / US 64 that includes traffic signals 12-1365 and 12-1817, as well as, the four (4) signals in the existing system 12-0958, 12-1794, 12-1795, 12-1065. The Design-Build Team shall investigate the antenna type and size to use at each signal location to provide optimal signal clarity. The Design-Build Team shall determine if the existing master location with telephone service is acceptable for the new system.
<b>12-1365</b>	US 64 at SR 2320 (Greenbrier Road) / SR 2207 (Marin Lane)	
<b>12-1817</b>	US 64 at Love’s Travel Stop / Peachtree Road	
		The Design-Build Team shall implement a wireless system test to illustrate to Division 12 personnel that the new wireless Ethernet standalone closed loop system along SR 2158 (Mocksville Road) / US 64 performs as specified. The system test shall illustrate that all components are operational and there is optimal signal clarity for a specified number of hops between each intersection. The test shall also verify that the system is fully operational and that all components are working for a set period.

<b>Wireless System 2 Standalone Wireless Closed Loop Signal System SR 2321 (East Broad Street)</b>		
<b>Signal Inventory Number</b>	<b>Intersection Description</b>	<b>Work Requirements</b>
<b>12-0193</b>	SR 2321 (East Broad Street) at I-77 Southbound Ramps / Beechwood Road	<p>The Design-Build Team shall maintain the existing 900Mhz spread spectrum wireless radio system along SR 2321 (East Broad Street) through all traffic signal construction phases of all traffic signal modifications. This may require modifying radio installations when new cabinet locations and new signal poles are installed and existing wireless radio equipment must be relocated. Modifying radio installation may include any or all the following items: relocating existing radio from an existing cabinet to a new cabinet, relocating or installing new coaxial cable, furnishing and installing new N-type connectors, furnishing new coaxial cable and shield grounding kits, relocating antenna mounting hardware, relocating antennas. This item of work may also involve converting an existing standalone radio site to a repeater site which would require installing an additional antenna and supporting hardware.</p> <p>The Design-Build Team shall maintain the existing wireless system through all phases of construction to facilitate the roadway realignment of SR 2333 (Eastside Drive) and the relocation of signal 12-0314 at SR 2321 (East Broad Street) / SR 2422 (Signal Hill Road / SR 2333 (Eastside Drive)). This may require modifying the spread spectrum wireless radio which would include relocating existing radio from an existing cabinet to a new cabinet, relocating or installing new coaxial cable, furnishing and installing new connectors, furnishing new cabling and grounding kits, relocating antenna mounting hardware, and relocating antennas to new pole locations as needed throughout the construction of the signal.</p> <p>Once signal construction and all signal modifications are complete, and signals are operating in their final pattern, the Design-Build Team shall remove all existing radio equipment and deliver to:</p> <ul style="list-style-type: none"> <li>• Division 12 Traffic Services Office: 230 Kemper Road Shelby, 28152</li> </ul> <p>Upon removal of the existing equipment the Design-Build Team shall install a new 900Mhz spread spectrum wireless Ethernet standalone closed loop system along SR 2321 (East Broad Street) incorporating the three (3) signals in the existing system 12-0193, 12-0628, 12-1664 and the new relocated signal 12-0314 into the new wireless system along SR 2321 (East Broad Street). The Design-Build Team shall investigate the antenna type and size to use at each signal location to</p>
<b>12-0628</b>	SR 2321 (East Broad Street) at I-77 Northbound Ramps / Shopping Center	
<b>12-0314</b>	SR 2321 (East Broad Street) at SR 2422 (Signal Hill Road) / SR 2333 (Eastside Drive)	
<b>12-1664</b>	SR 2321 (East Broad Street) at Bi-Lo Shopping Center	



		<p>provide optimal signal clarity. The Design-Build Team shall determine if the existing master location with telephone service is acceptable for the new system.</p> <p>The Design-Build Team shall implement a wireless system test to illustrate to Division 12 personnel that the new wireless Ethernet standalone closed loop system along SR 2321 (East Broad Street) performs as specified. The system test shall illustrate that all components are operational and there is optimal signal clarity for a specified number of hops between each intersection. The test shall also verify that the system is fully operational and that all components are working for a set period.</p>
--	--	---

<b>Wireless System 2</b> <b>Standalone Wireless Closed Loop Signal System</b> <b>SR 2321 (East Broad Street) – Signal REMOVAL</b>		
Signal Inventory Number	Intersection Description	Work Requirements
<b>12-1203</b>	SR 2321 (East Broad Street) at Station Street / Signal Hill Shopping Center	<p>The Design-Build Team shall maintain the existing wireless system during removal of signal 12-1203 at SR 2321(East Broad Street) and Station Street / Signal Hill Shopping Center.</p> <p>Once signal construction and all signal modifications are complete, and signals are operating in their final pattern the Design-Build Team shall remove all existing radio equipment and deliver to:</p> <ul style="list-style-type: none"> <li>• Division 12 Traffic Services Office: 230 Kemper Road Shelby, 28152</li> </ul>

**IV. SIGNAL SYSTEMS TIMING – CLOSED LOOP SYSTEMS**

The Design-Build Team shall develop and implement all temporary and final coordinated timings plans for Signal System 1, MA# 11223, SR 2158 (Old Mocksville Road) Closed Loop Signal System; and Signal System 2, proposed SR 2321 (East Broad Street) Closed Loop Signal System. The Design-Build Team shall design, implement and fine-tune all signal system timing, and evaluate the final operational benefits associated with work performed on the project.

The Signal System Timing Plans shall be designed to all possible traffic needs along the corridor, including but not limited to:

- Weekday peak / non-peak traffic periods (i.e. a.m., p.m., noon, off-peak, etc.)
- School / Universities start / end and / or class change peak traffic periods
- Seasonal traffic patterns

- Pre-scheduled holiday(s) traffic patterns
- Incident management traffic patterns (i.e. detour routes, hurricane evacuations, etc.)
- Other special events traffic patterns

The Design-Build Team shall coordinate the number and type of Signal System Timing Plans with the Division and Central Office System Timing (COST) Section. The Design-Build Team shall submit a set of preliminary Signal System Timing Plans, with supporting *Synchro 9.0*, *Tru-Traffic*, and *Translink 32* database files, to the COST Section for review. All Signal System Timing Plans shall be reviewed and approved by the COST Section prior to implementation. The Design-Build Team shall coordinate the development and implementation of all Signal System Timing Plans at the appropriate times, as directed by the Engineer.

The Design-Build Team shall implement and field-adjust (i.e. fine-tune) the approved Signal System Timing Plans in accordance with the COST Section's requirements. In the event of conflicting design parameters in the requirements noted above, the proposed design shall adhere to the most conservative values.

The Design-Build Team shall:

- Ensure all Signal System Timing Plans are operational in the Master and local controller(s)
- Ensure that the new traffic operations at the intersections and along the corridor conform with the newly-implemented Signal System Timing Plans.
- Fine-tune Signal System Timing Plans, as necessary, for optimal system performance.
- Collect trip logs "Before" and "After" implementing the new Signal System Timing Plans using *Tru-Traffic* in conjunction with a GPS receiver. Trip logs shall be completed according to NCDOT's *Standard Practice for Tru-Traffic Travel Time Runs*. (see below)

Prior to Final Project Acceptance, the Design-Build Team shall submit a final report that includes the following:

- Final implemented Signal Timing Plans presented via:
  - *SYNCHRO 9.0*
  - *Translink 32*
  - *Tru-Traffic* (with all collected trip logs)
- Turning movement counts used in the development of the Signal System Timing Plans
- Implemented Timing Plans
  - Date implemented
  - Special programming changes made because of field conditions
- "Before" and "after" Travel Time Run Results
  - Cumulative Travel Time (CTT)
  - Cumulative Delay (CD)
  - Cumulative Stop Delay (CStopD)
  - Cumulative Stops (CStops)
  - LOS/Delay
  - Cumulative Average Speed (CAS)

### Standard Practice for Tru-Traffic Travel Time Runs

The North Carolina Department of Transportation Standard Practice for performing *Tru-Traffic* Travel Time Runs for the evaluation of traffic signal system timing is as follows:

#### **Software Requirements**

- *Tru-Traffic* Version 10 with a GPS receiver is the only acceptable data collection method for this Standard Practice.

#### **Study Period**

- Typically, the study period for travel runs are the peak traffic periods by direction.
- Possible peak traffic periods may include:
  - Weekday peak traffic periods (i.e. a.m., p.m., noon, etc.)
  - Weekends
  - School start / end or class change
  - Seasonal traffic
  - Special events
  - Holidays
  - Incident management scenarios (i.e. detour routes, hurricane evacuations, etc.)
- The study period(s) will be defined by the Department

#### **Data Collection Standards**

- Travel time runs shall be representative of typical trips through the system. Runs skewed by bus stops, trains, crashes, turning traffic, or other obstructions shall be discarded.
- Runs shall not be performed during the following conditions, (unless the study period has been specifically defined for that condition):
  - Lane closure or active work zone
  - Adverse weather (rain, snow, etc.)
  - On a Monday or Friday
  - During special events
- *Tru-Traffic* shall be synced with the appropriate timing plan before beginning run (See Sync Clocks)
- Driving style may be either “floating car” or “maximum car” method. (Reference TRAVEL TIME DATA COLLECTION HANDBOOK Report No. FHWA-PL-98-035)

#### **Number of Runs**

- Six (6) or more travel runs per direction shall be completed for each study period. An exception to this minimum may be granted by the Department.

- Multiple days may be required to complete the minimum number of runs, depending on the length of the corridor.
- Distribute runs throughout the bandwidths.

### Sync Clocks

- Sync *Tru-Traffic* file to timing plan at the beginning of red interval of the coordinated phase when there's a call on the subsequent phase.
- Watch one cycle to confirm that the file is synced correctly with the timing plan before beginning travel run.

### Reporting (pulled from SOW)

- Generate reports (Travel Time, Delay, Stops, Speed and LOS) that show the current operational status of the signal system
- *Tru-Traffic Travel Time & Delay Report* that includes:
  - *Cumulative Travel Time(CTT), Cumulative Delay(CD), Cumulative Stopped Delay(CStopD), Cumulative Actual Average Speed (CAS), Cumulative Number of Stops in Run (CStops), Levels of Service Delay(LOSDelay), and Cumulative Urban Street LOS (CspeedLOS).*
  - Cumulative summaries for each separate direction of coordination and a cumulative summary of both directions together (i.e. "*Cumulative Summary of all runs, either direction through the artery*") for each / all of the timing plans
  - All trip logs used to generate the reports

**TRANSPORTATION MANAGEMENT SCOPE OF WORK** (6-19-18)**I. Laws, Standards and Specifications**

The Design-Build Team shall design the Transportation Management Plans (TMP) in accordance with the requirements of this RFP and the version of the standards listed below that are effective on the Technical Proposal submittal date.

- NCDOT *Standard Specifications for Roads and Structures*
- NCDOT *Roadway Standard Drawings*
- NCDOT *Supplement to the Manual on Uniform Traffic Control Devices* (NCSMUTCD)
- FHWA *Manual on Uniform Traffic Control Devices* (MUTCD)
- NCDOT *Roadway Design Manual*, including all revisions
- *Americans with Disabilities Act of 1990* (ADA)
- *AASHTO A Policy on Geometric Design of Highways and Streets* and all Errata
- *AASHTO Roadside Design Guide*
- FHWA *Standard Highway Signs*
- NCDOT *Guidelines for Preparation of Traffic Control and Pavement Marking Plans for Design-Build Projects*
- NCDOT *Design-Build Submittal Guidelines*
- FHWA *Rule on Work Zone Safety and Mobility* 23 CFR 630 Subpart J and K
- Transportation Research Board (TRB) *Highway Capacity Manual*

**References**

The Design-Build Team shall use the references provided on the site below, as supplementary guidelines and requirements for the design and implementation of the TMP.

**<https://connect.ncdot.gov/projects/WZTC/>**

**Transportation Management Plans**

The Design-Build Team shall prepare TMP that include Temporary Traffic Control Plans (TCP), an Incident Management Plan (IMP), and Traffic Operations Plan (TOP). the requirements of which are included in this Scope of Work, and a Public Information Plan (PIP) through coordination with the Department and in accordance with the Public Information Scope of Work found elsewhere in this RFP.

The Design-Build Team shall produce a TMP for each phase of work that impacts road users. The TMP shall include details of all planned detours, traffic control devices, striping, and signage applicable to each phase of work. The information on the TMP shall be of sufficient detail to allow verification of design criteria and safety requirements, including but not limited to typical sections, alignment, striping layout, drop off conditions, and temporary drainage. The Design-Build Team shall develop TMP that include procedures to

communicate TMP information to the public about road and travel conditions within the work zone and affected roadway network.

A Transportation Management Phasing Concept (TMPC) shall be prepared by the Design-Build Team to present the Design-Build Team's approach to all areas covered under the TMP, including but not limited to hauling of materials to, from, and within the project right of way (ROW). The Design-Build Team shall include the TMPC in the Technical Proposal. The Design-Build Team shall submit the TMPC for Department review and acceptance and shall address NCDOT comments on the TMPC prior to commencing production of the TMP for each phase of work or any construction. Any changes to the TMPC after acceptance by NCDOT shall require a submittal for review and acceptance prior to any future phasing submittals.

The Design-Build Team shall select a Private Engineering Firm (PEF) that has experience developing TMP on comparable projects for the North Carolina Department of Transportation (NCDOT) and shall list these comparable projects in the Technical Proposal.

In the event any self-imposed liquidated damages are included in the Technical Proposal, an Intermediate Contract Time(s) shall be established and shall become part of the contract.

### **General Requirements**

The Design-Build Team shall take steps to minimize disruptions to existing roadway facilities during construction and shall demonstrate how the traffic control phasing, minimizes inconvenience to motorists on all roads.

When lane and / or shoulder closures are not in effect, maintain the existing number of travel lanes on all roads, including but not limited to, auxiliary lanes and collector distributor lanes unless permitted otherwise elsewhere in this RFP. For existing travel lanes that are 11-foot wide or wider, maintain a minimum of 11-foot travel lanes at all times. For existing travel lanes that are narrower than 11-foot, maintain the existing travel lane widths at all times. Unless permitted otherwise elsewhere in this RFP, maintain existing shoulder widths (paved and unpaved). Maintain minimum four-foot wide inside and outside paved shoulders in each direction of I-40 and I-77 unless temporary barrier is placed on the paved shoulder or guardrail is adjacent to the paved shoulder. Under structures only, maintain a minimum two-foot wide paved shoulder adjacent to I-40 and I-77 through lanes and a minimum one-foot wide paved shoulder adjacent to auxiliary lanes and ramps.

**\*\*NOTE\*\*** Deleted positive median cross-over protection paragraph.

Unless permitted otherwise elsewhere in the RFP, proposed and existing bridge barrier rails, proposed and existing median barrier, and temporary portable concrete barrier shall be placed / located a minimum two-foot offset (shy distance) from the edge of an open travel lane.

Placement of temporary barrier systems shall be shown on the TMPC. Temporary barrier systems shall be designed in accordance with the following requirements:

- Determine the need for temporary barrier in accordance with the *FHWA Rule on Temporary Traffic Control Devices (23 CFR 630 Subpart K)*. Reference the NCDOT

Work Zone Traffic Control website noted below for examples and *Guidelines on the Use of Positive Protection in Work Zones*.

**<https://connect.ncdot.gov/projects/WZTC/Pages/Design-Resources.aspx>**

- The Design-Build Team shall adhere to the AASHTO *Roadside Design Guide* in determining the length of need, flare rate, and clear zone. The Design-Build Team shall adhere to the possible deflection of the proposed temporary barrier system in accordance with NCHRP-350 *Recommended Procedures for the Safety Performance Evaluation of Highway Features* deflections from crash testing and MASH (2016 AASHTO Manual for Assessing Safety Hardware). Providing less than the minimum deflection distance shall require the use of anchored temporary barrier systems in accordance with the 2018 NCDOT *Standard Specifications for Roads and Structures*.
- When temporary barrier is used continuously on one or both sides of a direction of I-40 or I-77 travel for a distance greater than one mile, the Design-Build Team shall provide a paved motorist breakdown area on the right side of the I-40 and I-77 travel way every mile, unless the outside paved shoulder width (clear distance between edge of travel lane and face of barrier) is ten feet or greater. All breakdown areas shall be a minimum of one thousand feet long and fourteen feet wide, ten feet of which shall be pavement. All breakdown areas shall be identified on the project with Changeable Message Signs and / or Stationary Signs placed in advance of each breakdown area, as approved by the Department. Prior to incorporation, the Design-Build Team shall submit a temporary pavement design for the breakdown areas. (Reference the Pavement Management Scope of Work found elsewhere in this RFP)
- The Design-Build Team shall not place temporary barrier systems utilized for traffic control on unpaved surfaces.
- The Design-Build Team shall not place temporary barrier within 200 feet of any merging taper, including but not limited to, existing and proposed ramp merges, lane drop merges, and / or temporary lane closure merges. All lanes shall first be closed using channelizing devices and pavement markings.
- When barrier is placed on a roadway shoulder, the Design-Build Team shall install shoulder closure signs and devices in advance of the barrier in accordance with the NCDOT Roadway Standard Drawings.
- The Design-Build Team shall not place temporary barrier in the gore area.

Except for short term median crossovers, the design speed for temporary alignments of Interstate, US, and NC routes shall not be lower than the current posted speed limit. The minimum allowable design speed for temporary alignments on secondary roads shall be the higher of 10 mph below the posted speed limit or 35 mph.

The 2018 *Roadway Standard Drawing* No. 1101.11 shall be used to calculate the length of temporary merges for lane closures and temporary traffic shifts. For temporary traffic patterns that will remain in place for a period longer than three days, including but not limited to traffic shifts, merges, and temporary alignments, breaks in the superelevation and /

or breaks in a normal crown section will not be allowed within the shifting taper. Excluding the aforementioned temporary traffic patterns, breaks in the superelevation and / or crown breaks in a normal crown section shall only occur on a lane line or lane midpoint, and shall not exceed 0.04. For I-40 and I-77, the length of all straight line shift tapers shall be a minimum full "L" (L=width of traffic shift multiplied by the posted speed limit in mph). In addition, solid white lane lines shall be used in lieu of skip lines to separate the travel lanes through the shift.

Temporary traffic shifts that are not covered by a standard or require vertical grades shall be considered a temporary alignment. All temporary alignments shall adhere to the NCDOT *Roadway Design Manual*, AASHTO *A Policy on Geometric Design of Highways and Streets* and the TRB *Highway Capacity Manual*.

All onsite detours shall meet the minimum number of existing lanes per direction and shall adhere to all temporary alignment requirements noted elsewhere in the RFP. A pavement transition, suitable for the posted speed limit shall be provided at all onsite detour interfaces.

The Design Build Team shall provide a smooth pavement surface for traffic at all times. The Design Build Team shall not place traffic on pavement containing rumble strips.

Maintain access to all residences, schools, bus stops, mass transit facilities (park and ride lots), emergency services and businesses at all times. Prior to incorporation, obtain written approval from the Engineer on method to maintain access.

At all times, maintain pedestrian facility access, provide temporary pedestrian facilities (concrete, asphalt, or other suitable material as approved by the Engineer), and / or provide a pedestrian detour at all locations where the open pedestrian travelway has been closed and / or removed by the Design-Build Team's construction operations. Prior to incorporation, all pedestrian detours shall receive Department written approval.

Through traffic traveling in the same direction shall not be split. (i.e. separation by any type of barrier, bridge piers, existing or proposed median, etc.).

The Design Build Team shall not place I-40 or I-77 traffic on an offsite detour.

Except as allowed in ICT #3, median crossovers will not be allowed.

Except as allowed in ICT #3 through #6, offsite detours will not be allowed.

Unless the ramp / loop traffic has been shifted to a temporary ramp / loop alignment that provides the same or better traffic operations, in the Department's sole discretion, the Design-Build Team shall not permanently close any existing ramp / loop until 1) the proposed ramp / loop that will carry the corresponding traffic is open to traffic and fully operational; and 2) any proposed traffic signal at the proposed ramp / loop terminal for the corresponding traffic is operational.

The Design-Build Team shall not permanently close SR 2333 (Eastside Drive) until 1) the proposed realignment of SR 2333 (Eastside Drive) is open to traffic and fully operational;



and 2) the proposed traffic signal at the SR 2333 (Eastside Drive) / SR 2321 (East Broad Street) intersection is operational.

Prior to incorporation, all offsite detour routes shall receive Department written approval and shall adhere to the following requirements:

- The Design-Build Team shall be responsible for investigating all detour routes, including but not limited to, analyzing traffic capacity, investigating impacts to emergency services and schools, analyzing design characteristics to ensure the design supports the traffic volumes (existing traffic volumes plus detoured traffic volumes) and investigating pavement structural adequacy, including any bridge postings on the detour route. The Design-Build Team shall submit recommendations resulting from the aforementioned investigations / analysis for the Department's review and acceptance.
- As determined by the Engineer, the Design-Build Team shall provide improvements required to accommodate detoured traffic prior to utilizing detour routes.
- Offsite detours that have non-signalized at-grade railroad crossings shall not be allowed.
- All proposed road closures, detour routes, durations, and justifications shall be incorporated into the Technical Proposal. (All proposed road closures, detour routes, durations and justifications incorporated into the Technical Proposal shall require Department approval)
- Submit detour routes and all associated sign designs for review and acceptance prior to incorporation.
- Unless approved otherwise by the controlling government entity, in writing, use only State maintained roads for offsite detour routes.

On all roadways within the project limits, the Design-Build Team shall provide safe access for wide-loads and oversized permitted vehicles through the work zone. Safe access shall entail, but is not limited to, a sufficient pavement structure (Reference the Pavement Management Scope of Work found elsewhere in this RFP), maintaining the existing vertical clearance of overhead structures, providing the required vertical clearance of proposed overhead structures and providing the minimum horizontal clear widths as follows:

<b>Roadway</b>	<b>Minimum Clear Width</b>
Interstates, US routes, NC routes and all collector distributors, ramps and loops	20 feet
All other roadways	18 feet

The Design-Build Team shall coordinate with the Division Maintenance Engineer, Resident Engineer, Division Traffic Engineer, Metrolina Regional Transportation Management Center (MRTMC) and the Statewide Transportation Operations Center (STOC) to manage traffic operations within the work zone and other roadways within the network that may be affected by the work zone activities. Coordination shall include, but not be limited to, providing

notification of planned lane or road closures, traffic detours, public information, traffic management, access management, incidents, etc.

The Design-Build Team shall provide and utilize Changeable Message Signs (CMS) as follows:

- The Design-Build Team shall provide CMSs that have the functionality to be operated locally in the field and controlled remotely from the MRTMC and the STOC. All CMSs provided must be fully NTCIP compliant and operate with full functionality via remote communications from the MRTMC and the STOC. All CMSs must be able to be controlled remotely using the existing software utilized by the MRTMC and STOC staff at the time of deployment. No vendor specific or third party software will be allowed. CMSs must be approved for use in ITS operations and freeway incident management before they are deployed. MRTMC and STOC staff will operate all devices displaying travel information to the public. The Design-Build Team shall not begin any construction that involves lane closures on any road until all CMSs and all other devices are installed and communicating with the MRTMC and STOC.
- For traffic control purposes during construction, the Design-Build Team shall provide and operate a minimum of one CMS per direction on I-40 and I-77 that provides general information about the construction activities within the project limits. These CMSs shall be in addition to any other CMSs required by the NCDOT Roadway Standard Drawings and / or required for incident management use.
- The Department will provide incident management detour and alternate routes to the Design Build Team. The Design-Build Team shall provide and operate a minimum of 12 CMSs to display alternate route information ahead of the project detour points for incidents on I-40 and I-77. The positioning of these incident management CMSs shall be coordinated with the MRTMC, STOC and the Engineer. These CMSs shall be in addition to any other devices provided by the Department and operated by the MRTMC and STOC. The Design-Build Team shall coordinate with the MRTMC and STOC when alternate route information needs to be displayed. In the event of an incident, MRTMC and STOC will take remote control of the applicable CMSs to provide incident management information to motorists. Upon incident clearance and resumption of normal traffic flow, MRTMC and STOC will allow the Design-Build Team to regain control of the CMS boards.
- The Design-Build Team shall coordinate on 24 hour basis with the MRTMC and STOC to provide relevant and timely travel information throughout the work zone and along alternate routes.
- The Design Build Team will be responsible for ensuring the alternate routes are signed with either existing stationary alternate route signing or provide temporary stationary alternate route signing to guide detoured motorists along the alternate route back to the original road. The Design-Build Team shall provide a plan for MRTMC, STOC and NCDOT approval that shows the MRTMC's and STOC's alternate routes with the approximate locations of the CMSs to be used for incident management, along with their respective messages, and the approximate locations of the existing stationary alternate route signing and temporary stationary alternate route signing.

- The Design-Build Team shall fabricate, install, relocate, and maintain the CMSs and stationary signs during construction. Upon completion of the project, or completion of their usefulness, the Design-Build Team shall remove the CMSs and stationary signs.
- The plan for all incident management CMSs and temporary stationary signing for alternate routes shall be approved by the MRTMC, STOC and NCDOT and installed before beginning any construction.

On all roads, the Design-Build Team shall make all modifications to existing pavement markings, markers and / or signing located outside the project limits that are necessitated by the Transportation Management Plans. Additionally, the Design-Build Team shall readjust the markings, markers, and / or signing located outside the project limits to the existing / proposed pattern when the temporary changes are no longer needed.

### **Lane Closure Notice (LCN)**

The Design-Build Team shall issue a Lane Closure Notice (LCN) to NCDOT and affected government entities a minimum of thirty (30) calendar days prior to the publication of any notices or placement of any traffic control devices associated with lane closures, detour routing or other change in traffic control requiring lane closures. The Design-Build Team will be allowed to issue a single LCN for multiple / consecutive lane closures that occur in the same location.

For a LCN utilizing a non-NCDOT controlled facility, the Design-Build Team shall secure concurrence in writing from the controlling government entity. A LCN shall contain the estimated date, time, duration and location of the proposed work. The Design-Build Team shall keep NCDOT informed of any and all changes or cancellations of proposed lane closures prior to the date of their implementation.

If an emergency condition should occur, a LCN shall be provided to NCDOT within two (2) days after the event. For non-NCDOT controlled facilities, the Design-Build Team shall immediately notify the controlling government entity.

### **Road Closure Notice (RCN)**

Proposed road closures on any road shall be approved by the Engineer prior to incorporation in the TMP.

The Design-Build Team shall issue a Road Closure Notice (RCN) to NCDOT and affected government entities a minimum of thirty (30) calendar days prior to the publication of any notices or placement of any traffic control devices associated with road closures, detour routing or other change in traffic control requiring road closures.

For a RCN utilizing a non-NCDOT controlled facility, the Design-Build Team shall secure concurrence in writing from the controlling government entity. A RCN shall contain the estimated date, time, duration, and location of the proposed work. The Design-Build Team shall keep NCDOT and any other affected government entity informed of any and all changes or cancellations of proposed Road Closures prior to the date of their implementation.

If an emergency condition should occur, a RCN shall be provided to NCDOT within two (2) days after the event. For non-NCDOT controlled facilities, the Design-Build Team shall immediately notify the controlling government entity.

**II. Project Operations Requirements**

The following are Time Restrictions and notes that shall be included with the Transportation Management Plan General Notes, unless noted otherwise elsewhere in this RFP:

**A. Time Restrictions**

**1. Intermediate Contract Times #1 and #2 for Lane Narrowing, Lane Closure, Holiday and Special Event Restrictions.**

This intermediate contract time does not apply to the existing center turn lane on the Broad Street bridge over I-77. During construction of the proposed Broad Street bridge over I-77, the Design-Build Team will be permitted to maintain temporary traffic patterns that provide two through lanes in each direction without a center turn lane on the bridge. However, the Design Build Team shall maintain an exclusive left turn lane, with a minimum 100-foot storage, at the signalized entrance to Newtowne Plaza at all times during construction.

The Design-Build Team shall maintain the existing traffic pattern and shall not close or narrow a lane of traffic during the times below.

Road Name	Day	Time Restrictions
I-40 and I-77 (including all collector distributors, ramps and loops)	Monday through Friday	6:00 a.m. to 8:00 p.m.
	Saturday and Sunday	8:00 a.m. to 9:00 p.m.
Broad Street, US 64, Eastside Drive and Old Mocksville Road	Monday through Friday	6:00 a.m. to 9:00 am and 4:00 pm to 7:00 pm

The Design-Build Team shall not install, reset and / or remove any traffic control device during the times listed above.

In addition, the Design-Build Team shall not close or narrow a lane of traffic on I-40 or I-77 (including all collector distributors, ramps, and loops), detain and / or alter the traffic flow on or during holidays, holiday weekends, special events, or any other time when traffic is unusually heavy. At a minimum, these requirements / restrictions shall apply to the following schedules:

- (a) For New Year's between the hours of 6:00 a.m. December 31<sup>st</sup> and 8:00 p.m. January 2<sup>nd</sup>. If New Year's Day is on a Friday, Saturday, Sunday or Monday then from 8:00 p.m. the following Tuesday.
- (b) For Easter, between the hours of 6:00 a.m. Thursday and 8:00 p.m. Monday.

- (c) For Memorial Day, between the hours of 6:00 a.m. Friday and 8:00 p.m. Tuesday.
- (d) For Independence Day, between the hours of 6:00 a.m. July 3<sup>rd</sup> and 8:00 p.m. July 5<sup>th</sup>. If Independence Day is on a Friday, Saturday, Sunday or Monday, then between the hours of 6:00 a.m. the Thursday before Independence Day and 9:00 p.m. the Tuesday after Independence Day.
- (e) For Labor Day, between the hours of 6:00 a.m. Friday and 8:00 p.m. Tuesday.
- (f) For Thanksgiving Day, between the hours of 6:00 a.m. Tuesday and 8:00 p.m. Monday.
- (g) For Christmas, between the hours of 6:00 a.m. the Friday before the week of Christmas Day and 8:00 p.m. the following Tuesday after the week of Christmas Day.
- (h) For NASCAR races at Charlotte Motor Speedway, between the hours of 6:00 a.m. the day before the race until 8:00 p.m. the day after the race.

**Liquidated Damages for Intermediate Contract Time #1 for the above lane narrowing, lane closure, holiday and special event time restrictions for I-40 and I-77 including all collector distributors, ramps and loops are \$2,500.00 per 15-minute period or any portion thereof.**

**Liquidated Damages for Intermediate Contract Time #2 for the above lane narrowing, lane closure, for Broad Street, US 64, Eastside Drive and Old Mocksville Road are \$1,500.00 per 15 minute period or any portion thereof.**

## **2. Intermediate Contract Times #3 and #4 for Road Closure Restrictions for Construction Operations**

Unless allowed otherwise elsewhere in this RFP, at a minimum, the Design-Build Team shall maintain the existing traffic pattern and follow the road closure restrictions for all roadways listed below. When a temporary road closure is used, the Design-Build Team shall reopen the travel lanes by the end of the road closure duration to allow the traffic queue to deplete before re-closing the roadway.

Unless allowed otherwise elsewhere in this RFP, the Design-Build Team shall 1) not close any direction of travel on the following roads, collector distributors, or any ramps / loops during the times noted below and; 2) only close the following roads, collector distributors, or any ramps / loops for the operations listed in this intermediate contract time restriction. Using a median crossover, exclusively for the operations listed below, shall be defined as a closure of a direction of travel.

A median crossover providing one lane in each direction on I-40 and I-77 will be allowed for the activities described below. No other roads shall be put in a crossover pattern. If the Design-Build Team elects to use a crossover for these activities and during the times set forth below, the crossover shall be designed and constructed to

meet a design speed of no more than 20 mph below the original posted speed limit prior to any implementation of a reduced work zone speed limit. The maximum allowable distance between the crossovers shall be 2,750 feet unless approved otherwise by the Department. The Design-Build Team shall monitor the traffic queue during operation of the crossover. Should the traffic queue extend to the advance warning signs, traffic shall be returned to the existing number of lanes in each direction until the traffic queue is depleted.

<b>Road Name</b>	<b>Day</b>	<b>Time Restrictions</b>
I-40 and I-77 (including all collector distributors, ramps and loops)	Monday through Sunday	5:00 a.m. until 12:00 a.m. (midnight)
Broad Street and US 64	Monday through Sunday	5:00 a.m. until 12:00 a.m. (midnight)

For the operations noted below, the maximum road closure duration shall not exceed **thirty (30) minutes** without an approved median crossover on I-40 or I-77 or without an approved offsite detour for all other roads listed above. With an approved I-40 or I-77 median crossover, or an approved offsite detour for all other roads listed above, the roadways listed may be closed from 12:00 a.m. (Midnight) to 5:00 a.m. for the operations listed below:

- Bridge demolition
- Girder, overhang, and falsework installation and / or removal
- Installation of overhead sign assemblies and / or work on existing overhead sign assemblies over travel lanes
- Traffic shifts to complete tie-in work and placement of pavement markings.

Proposed road closures for any road within the project limits shall be approved by the Engineer, in writing, prior to incorporation in the TMP.

**Liquidated Damages for Intermediate Contract Time #3 for the above road closure time restrictions for I-40 and I-77 including all collector distributors, ramps and loops are \$5,000.00 per 15-minute period or any portion thereof.**

**Liquidated Damages for Intermediate Contract Time #4 for the above road closure time restrictions for Broad Street and US 64 are \$2,500.00 per 15-minute period or any portion thereof.**

### **3. Intermediate Contract Time # 5 for Continuous Road Closure of Simonton Road**

One road closure with an approved offsite detour will be permitted for the construction of Simonton Road for no more than **180 consecutive calendar days**.

Prior to the continuous road closure, the Design-Build Team shall install a Department approved off-site detour route. The Design-Build Team shall maintain access to all driveways within the closure at all times. Simonton Road shall be reopened to traffic within the allotted road closure duration.

The date of availability shall be the date the Design-Build Team elects to close **Simonton Road**. The Design-Build Team shall provide the Engineer a minimum of 30 days written notice prior to the date of availability. The date of completion shall be the number of calendar days proposed by the Design-Build Team in the Technical Proposal, and such number of calendar days proposed shall not be greater than the days noted above.

**Liquidated Damages for Intermediate Contract Time #5 for the above road closure time restrictions for Simonton Road are \$1,000.00 per calendar day or any portion thereof.**

#### **4. Intermediate Contract Time # 6 for Continuous Road Closure of Eastside Drive**

One road closure with an approved offsite detour will be permitted to tie-in the proposed Eastside Drive alignment for no more than **59 consecutive hours**. Prior to the continuous road closure, the Design-Build Team shall install a Department approved off-site detour route. Eastside Drive shall be reopened to traffic in the final signalized pattern within the allotted road closure duration.

The time of availability shall be the time the Design-Build Team elects to close Eastside Drive. The Design-Build Team shall provide the Engineer a minimum of 30 days written notice prior to the time of availability. The time of completion shall be the number of consecutive hours proposed by the Design-Build Team in the Technical Proposal, and such number of hours proposed shall not be greater than the hours noted above.

**Liquidated Damages for Intermediate Contract Time #6 for the above road closure time restrictions for Eastside Drive are \$1500.00 per 15-minute period or any portion thereof.**

#### **B. Hauling Restrictions**

The Design-Build Team shall adhere to the hauling restrictions noted in the 2018 NCDOT *Standard Specifications for Roads and Structures*.

The Design-Build Team shall conduct all hauling operations as follows:

- The Design-Build Team shall not conduct any hauling operations against the flow of traffic of an open travelway unless an approved temporary traffic barrier or guardrail separates the traffic from the hauling operation.
- The Design-Build Team shall not haul during the holiday time and special events time restrictions listed in ICT #1 and ICT #2, unless the hauling operation occurs

completely behind temporary traffic barrier or guardrail and does not impact traffic operations.

- All hauling entrances, exits, and crossings shall be shown on the TMP and be in accordance with the 2018 NCDOT Roadway Standard Drawings or the *Typical Median Access Areas* Project Special Provision found elsewhere in this RFP. All hauling entrances, exits, and median access point locations shall be approved by the Department prior to installation.
- Haul vehicles shall not enter and / or exit an open travel lane at speeds more than 10 mph below the posted speed limit.
- Hauling operations that perpendicularly cross a roadway shall require TMP and shall be subject to the time restrictions, and holiday, holiday weekend and special event time restrictions listed in ICT #1 and ICT #2.

The Design-Build Team shall address how hauling will be conducted in the Technical Proposal, including but not limited to, hauling of any materials to and from the site and hauling material within the NCDOT right of way.

Excluding hauling operations that are conducted entirely behind a temporary traffic barrier or guardrail, single vehicle hauling shall not be allowed ingress and egress from any open travel lane during the following time restrictions:

**For Single Vehicle Hauling**

Road Name	Day	Time Restrictions
I-40 and I-77 (including all collector distributors, ramps and loops)	Monday through Friday	6:00 am. To 9:00 am and 4:00 pm to 7:00 pm

Excluding hauling operations that are conducted entirely behind a temporary traffic barrier or guardrail, multi-vehicle hauling shall not be allowed ingress and egress from any open travel lane during the following time restrictions:

**For Multi-Vehicle Hauling**

Road Name	Day and Time	Restrictions
I-40 and I-77 (including all collector distributors, ramps and loops)	Monday through Friday	6:00 a.m. to 8:00 p.m.
	Saturday and Sunday	8:00 a.m. to 9:00 p.m.
All other roads	Monday through Friday	6:00 a.m. to 9:00 am and 4:00 pm to 7:00 pm



### C. Lane and Shoulder Closure Requirements

On two-lane, two-way facilities, the Design-Build Team shall not install more than one (1) lane closure on any roadway within the project limits or in conjunction with project, measured from the beginning of the merger taper to the end of the lane closure. The maximum length of lane closure shall be one (1) mile for a single lane closure measured from the beginning of the merge taper to the end of the lane closure.

On multilane facilities, the Design-Build Team shall not install more than two (2) simultaneous lane closures in any one direction, and shall provide a minimum of two (2) miles between lane closures, measured from the end of one closure to the first sign of the next lane closure. The maximum length of each lane closure shall be two (2) miles for a single lane closure and two and a half (2.5) miles for a double lane closure, measured from the beginning of the first merge taper to the end of the lane closure.

The Design-Build Team shall remove lane closure devices from the lane when work is not being performed behind the lane closure or when a lane closure is no longer needed.

When barrier is placed on the roadway shoulder, the Design-Build Team shall install shoulder closure signs and devices in advance of the barrier using the 2018 NCDOT *Roadway Standard Drawings*.

When personnel and / or equipment are working within 15 feet of an open travel lane, the Design-Build Team shall close the nearest open shoulder using the 2018 NCDOT *Roadway Standard Drawings*, unless the work area is protected by an approved temporary traffic barrier or guardrail.

When personnel and / or equipment are working on the shoulder adjacent to an undivided facility and within five feet of an open travel lane, the Design-Build Team shall, at a minimum, close the nearest open travel lane using the 2018 NCDOT *Roadway Standard Drawings*, unless the work area is protected by an approved temporary traffic barrier or guardrail.

When personnel and / or equipment are working on the shoulder adjacent to a divided facility and within ten feet of an open travel lane, the Design-Build Team shall, at a minimum, close the nearest open travel lane using the 2018 NCDOT *Roadway Standard Drawings*, unless the work area is protected by an approved temporary traffic barrier or guardrail.

When personnel and / or equipment are working within a lane of travel of an undivided or divided facility, the Design-Build Team shall, at minimum, close the lane using the 2018 NCDOT *Roadway Standard Drawings*. The Design-Build Team shall conduct the work so that all personnel and / or equipment remain within the closed travel lane.

The Design-Build Team shall not perform work involving heavy equipment within 15 feet of the edge of travel way when work is being performed behind a lane closure on the opposite side of the travel way.

#### **D. Pavement Edge Drop off Requirements**

Using suitable compacted material, the Design-Build Team shall backfill at a 6:1 slope up to the edge and elevation of the existing pavement in areas adjacent to an open travel lane that has an edge of pavement drop-off as follows:

- Elevation differences that exceed two inches on roadways with posted speed limits of 45 mph or greater and a paved shoulder four-foot wide or less.
- Elevation differences greater than three inches on roadways with posted speed limits less than 45 mph and with a paved shoulder four-foot wide or less.
- Refer to the current AASHTO *Roadside Design Guide* for proper treatment of all other conditions.

Do not exceed a difference of two inches in elevation between open lanes of traffic for nominal lifts of 1.5 inches. Install advance warning “UNEVEN LANES” signs (W8-11) 1,000 feet in advance and a minimum of every half mile throughout the uneven area.

#### **E. Traffic Pattern Alterations**

The Design-Build Team shall notify the Engineer, in writing at least thirty (30) calendar days prior to any traffic pattern alteration. (Reference the Public Information Scope of Work found elsewhere in this RFP for public information requirements)

#### **F. Signing**

The Design-Build Team shall install advance work zone warning signs when work is within 40 feet from the edge of travel lane and no more than three days prior to the beginning of construction.

When no work is being conducted for a period longer than one week, the Design-Build Team shall remove or cover all advance work zone warning signs, as directed by the Engineer. Stationary work zone warning signs shall be covered with an opaque material that prevents reading of the sign at night by a driver traveling in either direction.

When portable work zone signs are not in use for periods longer than 30 minutes, the Design-Build Team shall lay the portable work zone sign flat on the ground and collapse the sign stand and lay it flat on the ground.

The Design-Build Team shall install and maintain all detour signing and devices required for road closures. The Design-Build Team shall cover or remove all detour signs and devices required for road closures within and off the project limits when a detour is not in operation.

The Design-Build Team shall ensure proper signing (including but not limited to guide signs) is in place at all times during construction, as required by the *MUTCD*. All temporary signing shall be shown on the TMP or a Temporary Signing Plans to be

reviewed and approved by the NCDOT Work Zone Traffic Control Section and / or the NCDOT Signing and Delineation Unit prior to incorporation.

### G. Traffic Barrier

The Design-Build Team shall use only an NCDOT approved temporary traffic barrier system and adhere to the following requirements:

- Install temporary traffic barrier system a maximum of two (2) weeks prior to beginning work in any location. Once the temporary traffic barrier system is installed at any location, proceed in a continuous manner to complete the proposed work in that location.
- Place all temporary barrier used for traffic control directly on an asphalt or concrete surface.
- Temporary barrier used for traffic control shall not act as a retaining wall.
- Once the temporary traffic barrier system is installed and no work has been or will be performed behind the temporary traffic barrier system for a period longer than two (2) months, remove / reset the temporary traffic barrier system unless the barrier is protecting traffic from a hazard.
- Excluding water filled barrier, protect the approach end of temporary traffic barrier system at all times during the installation and removal of the barrier by either a truck mounted impact attenuator (maximum 72 hours) or a temporary crash cushion.
- Excluding water filled barrier, protect the approach end of temporary traffic barrier system from oncoming traffic at all times by a temporary crash cushion unless the approach end of temporary traffic barrier system is offset from oncoming traffic as follows:

<b>Posted speed limit (MPH)</b>	<b>Minimum offset (feet)</b>
40 or less	15
45 – 50	20
55	25
60 mph or higher	30

- Install temporary traffic barrier system with the traffic flow, beginning with the upstream side of traffic. Remove the temporary traffic barrier system against the traffic flow, beginning with the downstream side of traffic.
- Install drums to close or keep closed tangent sections of the roadway until the temporary traffic barrier system can be placed or after the temporary barrier system has been removed. The distance, in feet, between drums shall be no greater than twice the posted speed limit (mph).

- The Design-Build Team shall minimize the presence of portable concrete barrier along acceleration ramps / loops. Thus, justification, in the Department's sole discretion, shall be provided in the TMP for the placement of portable concrete barrier along acceleration ramps / loops.
- At existing and proposed ramp merges, lane drop merges, and / or temporary lane closure merges, the Design-Build Team shall install temporary traffic barrier system in a manner that provides a minimum of 200 feet from the end of the pavement marking taper to the beginning of the barrier taper.
- The Design-Build Team shall be responsible for providing proper connection between the existing bridge rail and the temporary barrier system and include this information in the appropriate plans.

## H. Traffic Control Devices

The Design-Build Team shall use traffic control devices that conform to all NCDOT requirements and are listed on the NCDOT Approved Products List. The Approved Products List may be referenced on the website noted below:

**<https://apps.ncdot.gov/vendor/approvedproducts/>**

The use of any devices that are not shown on the Approved Product List shall require written approval from the Design-Build Unit prior to incorporation.

Channelizing device spacing shall not exceed a distance in feet equal to twice the posted speed limit. Channelization devices shall be spaced ten feet on-center in radii. Channelization devices shall be three (3) feet off the edge of an open travelway, when lane closures are not in effect. Skinny drums shall only be allowed as defined in Section 1180 of the 2018 NCDOT *Standard Specifications for Roads and Structures*.

Place Type III barricades, with "ROAD CLOSED" signs (R11-2) attached, of sufficient length to close entire roadway. Stagger or overlap barricades to allow for ingress or egress.

Place sets of three drums perpendicular to the edge of the travelway on 500-foot centers when unopened lanes are closed to traffic. These drums shall be in addition to channelizing devices.

Portable changeable message signs should be placed off the shoulder of the roadway and behind a traffic barrier, if practical. Where a traffic barrier is not available to shield the portable changeable message sign, it shall be placed off the shoulder and outside of the clear zone. If a portable changeable message sign must be placed on the roadway shoulder or within the clear zone, it shall be delineated with retroreflective temporary traffic control (TTC) devices. When portable changeable message signs are not being used to display TTC messages, they shall be relocated such that they are outside of the clear zone or shielded behind a traffic barrier and turned away from traffic. If relocation or shielding is not practical, the portable changeable message signs shall be delineated with retroreflective TTC devices.

## **I. High Visibility Traffic Control Devices**

For I-40 and I-77, including collector distributors, ramps, and loops, the Design-Build Team shall furnish and install High Visibility Drums, Stationary Work Zone Signs, and Portable Work Zone Signs. See *High Visibility Traffic Control Devices* Project Special Provision found elsewhere in this RFP.

## **J. Temporary Pavement Markings, Markers, Delineation, and Pattern Masking**

### **I-40 and I-77 INCLUDING COLLECTOR DISTRIBUTOR, RAMPS, LOOPS, AND STRUCTURES**

The Design-Build Team shall show temporary pavement markings on the TMP that meet the requirements of the *Guidelines for Preparation of Traffic Control and Pavement Marking Plans for Design-Build Projects*, the *Work Zone Performance Pavement Marking* Project Special Provision, and the *Work Zone Traffic Pattern Masking* Project Special Provision found elsewhere in this RFP.

The Design-Build Team shall install temporary pavement markings and markers in accordance with the *Work Zone Performance Marking* Project Special Provision, the *Work Zone Traffic Pattern Masking* Project Special Provision (both found elsewhere in this RFP), the 2018 NCDOT *Standard Specifications for Roads and Structures*, and in accordance with the manufacturer's procedures and specifications.

Prior to shifting traffic to a new pattern, the Design-Build Team shall mask / conceal or remove, as appropriate, all conflicting markings and remove all conflicting markers and snowplowable marker castings. (Reference the *Work Zone Traffic Pattern Masking* Project Special Provision found elsewhere in this RFP)

The Design-Build Team shall tie proposed pavement marking lines to existing pavement marking lines.

By the end of each day's operation, the Design-Build Team shall mask / conceal or remove, as appropriate, all conflicting markings, replace all damaged markings, and remove / replace all conflicting / damaged markers. (Reference the *Work Zone Traffic Pattern Masking* Project Special Provision found elsewhere in this RFP)

The Design-Build Team shall not place temporary markings on the final asphalt pavement surface unless the temporary markings are placed in the exact location of the final pavement markings.

Temporary pavement markings on the final concrete surface shall only be removed by hydroblasting.

**ALL OTHER ROADS AND STRUCTURES**

The Design-Build Team shall show temporary pavement markings on the TMP that meet the requirements of the RFP and the *Guidelines for Preparation of Traffic Control and Pavement Marking Plans for Design-Build Projects*.

The Design-Build Team shall only use pavement marking and marker products that conform to all NCDOT requirements and are listed on the NCDOT Approved Products List. The use of any devices that are not shown on the NCDOT Approved Products List shall require written approval from the Design-Build Unit prior to incorporation.

The Design-Build Team shall install pavement markings and markers in accordance with the 2018 NCDOT *Standard Specifications for Roads and Structures*, and in accordance with the manufacturer’s procedures and specifications.

The Design-Build Team shall install temporary pavement markings that are the same width as existing pavement markings. For roadways that do not have existing pavement markings, the Design-Build Team shall install temporary pavement markings that are the same width as required for the final pavement markings in the Pavement Markings Scope of Work found elsewhere in this RFP.

The Design-Build Team shall install temporary pavement markings and temporary pavement markers on the interim surface or temporary pattern as follows:

Road	Marking	Marker
All Roads and Structures except I-40 and I-77, including collector distributors, ramps and loops	Any Marking on the Approved Product List	Raised Temporary

The Design-Build Team may use any type of pavement markings on the NCDOT Approved Products List for temporary patterns. However, the Design-Build Team shall maintain a minimum retroreflectivity for pavement markings (existing and temporary markings) at all times during construction, as follows:

- White: 125 mcd / lux / m2
- Yellow: 100 mcd / lux / m2

When using Cold Applied Plastic Type 4 pavement markings, place temporary raised markers half on and half off edge lines and centerlines to help secure the tape to the roadway. Markers shall be spaced the appropriate distance apart as described by the 2018 Roadway Standard Drawing 1250.01, Sheet 1 of 3.

The Design-Build Team shall tie proposed pavement marking lines to existing pavement marking lines.

By the end of each day’s operation, the Design-Build Team shall remove / replace all conflicting markings, replace all damaged markings, and remove / replace all conflicting / damaged markers.

The Design-Build Team shall trace existing and / or proposed monolithic island locations with the proper color pavement marking prior to removal and / or installation. The Design-Build Team shall place drums to delineate existing and / or proposed monolithic islands after the removal and / or before installation.

The Design-Build Team shall not place temporary markings other than Cold Applied Plastic Type 4 – Removable Tape on any final pavement surface unless the temporary markings are placed in the exact location of the final pavement markings.

Temporary pavement markings on the final concrete surface shall only be removed by hydroblasting.

Prior to shifting traffic to a new pattern, the Design-Build Team shall remove / replace all conflicting markings and remove all conflicting markers and snowplowable marker castings.

Unless noted otherwise in this RFP, removal of the temporary pavement markings on asphalt surfaces (other than I-40 and I-77 including collector distributors ramps and loops) shall be accomplished by an NCDOT approved system to minimize damage to the road surface. Temporary pavement markings shall not be obliterated with any type of black pavement markings (paint or other material). The Design-Build Team shall remove all temporary pavement markings without removing more than 1/32 inch of the pavement surface.

#### **K. Temporary Traffic Signals**

Use the following notes if the Design-Build Team proposes temporary traffic signals for maintenance of traffic:

- Notify the Engineer in writing a minimum of two months before a temporary traffic signal installation is required.
- Shift and revise all signal heads as shown on the accepted Traffic Signal Plans.

#### **L. Traffic Control Supervisor**

The Design-Build Team shall furnish a Traffic Control Supervisor for the project who is knowledgeable of TMP design, devices and application, and has full authority to ensure traffic is maintained in accordance with the plans and specifications developed by the Design-Build Team.

The Traffic Control Supervisor shall be on the project site overseeing all road closures and median crossover operations to ensure traffic control devices are properly installed and adjusted as necessary. The Traffic Control Supervisor shall also make necessary changes to the traffic control operations and aide in the monitoring of traffic queuing.

The Design-Build Team shall identify a Traffic Control Supervisor in their Technical Proposal that has the following qualifications:

- (1) A minimum 24 months of On-the-Job Training in supervision and work zone set up and implementation on similar projects.
- (2) Be certified by responsible party (contractor or NCDOT) to have the required experience and training and is qualified to perform the duties of this position. If certified by the Contractor, a notarized certification letter shall be furnished to the Engineer at the preconstruction meeting. The letter shall state the Traffic Control Supervisor is qualified, and state that the Traffic Control Supervisor has the authority to ensure traffic is maintained in accordance with the contract documents.

The Traffic Control Supervisor for the project shall perform the following:

- (1) During construction, be available or on call 24 hours per day, 7 days per week to address mobility and / or safety concerns within the work zone and direct / make any necessary changes in the traffic control operations in a timely and safe manner. The Design-Build Team shall provide NCDOT the name of the Traffic Control Supervisor and support personnel, and the phone number(s) where they can be reached 24 hours per day, seven days per week.
- (2) Coordinate and cooperate with traffic control supervisors of adjacent, and overlapping construction projects, as well as construction projects in proximity to the subject project, to ensure safe and adequate traffic control setup is maintained throughout the project at all times, including periods of construction inactivity.
- (3) Coordinate and cooperate with the MRTMC and STOC. Provide real time information about changes in the traffic operations within the work zone to ensure proper messages are displayed on the CMSs and DMSs. Changes in traffic operations could be a result of construction activities and / or incidents within the work zone.
- (4) Provide the MRTMC and STOC with the most up to date TMPs on a monthly basis. The TMPs shall show up to date information for breakdown areas and / or detour route locations and associated signing.
- (5) Monitor traffic delays and backups within the work zone and the network that is affected by the presence of the work zone. Provide the MRTMC and STOC records of delays, incidents, and crashes that occurred within the work zone on a monthly basis.
- (6) Coordinate with hospitals, emergency medical services (EMS), fire departments, and law enforcement throughout construction to alert these entities to traffic control impacts that may affect their services.
- (7) Coordinate with Law Enforcement, first responders, and other city and state agencies during emergencies.



- (8) Conduct conference calls as needed to update the MRTMC and STOC and the NCDOT Communication Office personnel of construction activities.
- (9) Provide traffic control setup that ensures safe traffic operations and workers' safety throughout the construction area.
- (10) Attend all scheduled traffic control coordination meetings, as required by the Engineer.
- (11) Monitor traffic delays and backups within the work zone.

#### **M. Lighting**

The Design-Build Team shall provide portable temporary construction and equipment lighting to conduct night work in accordance with the 2018 NCDOT *Standard Specifications for Roads and Structures*.

##### **Work Zone Presence Lighting and Sequential Flashing Warning Lights**

In addition to the requirement above, furnish and install Work Zone Presence Lighting to supplement the portable construction and equipment lighting for the purpose of alerting motorist to the existence of an active work zone and to encourage compliance with the work zone speed limit. Also, furnish and install Sequential Flashing Warning Lights on drums used for merging tapers to assist motorist in determining which direction to merge and to decrease late lane merging. (Reference the *Work Zone Presence Lighting and Sequential Flashing Warning Lights* Project Special Provisions found elsewhere in this RFP)

#### **N. Drainage**

The Design-Build Team shall provide proper drainage for all temporary alignments and / or traffic shifts.

#### **O. Work Zone Speed Limits**

All speed limits are to be ordinated by the State Traffic Engineer in order to have a lawfully enforceable speed limit; therefore, no speed limit messages / signs shall be installed prior to receiving a signed ordinance. NCDOT has sole authority of the speed limits displayed within the work zone.

##### **Work Zone Variable Speed Reduction and \$250 Speeding Penalty Ordinances**

A Work Zone Variable Speed Reduction is intended to temporarily reduce the speed within the work zone at spot locations of short duration (1 day up to 30 days) where the temporary traffic control is usually to be removed within the same day. A Work Zone "Variable" Speed Limit cannot be in operation continuously (24/7) for a period exceeding 30 calendar days.

Prior to commencing work activities on I-40 and I-77, the Design-Build Team shall submit both a formal Work Zone "Variable" Speed Reduction Ordinance and a \$250

Speeding Penalty Ordinance request to the Design-Build Unit for approval. The request shall state why the ordinances are needed (reference the criteria listed in the NCDOT Work Zone Traffic Control Guidelines). Upon receipt of the formal requests, the Design-Build Team shall allow six weeks for the Work Zone “Variable” Speed Limit Reduction Ordinance and \$250 Speeding Penalty Ordinance to be approved.

When work requires significant alterations to the existing traffic pattern such as but not limited to those listed below, and if ordained by the State Traffic Engineer, implement a Work Zone “Variable” Speed Limit Reduction of either 55 mph or 60 mph as stated in the ordinance:

- Temporary Lane Closures
- Temporary Median Cross-overs
- Temporary On-Site Detours
- Temporary “All Exit” road closures
- Temporary Road Closures that require stopping traffic

The Design-Build Team will be responsible for coordinating with the Engineer when the Work Zone “Variable” Speed Limits are to be changed and seeking approval of the Engineer before changing any Speed Limit.

When the variable speed limit reductions are in effect, cover any existing speed limit signs located within the active work area that conflict with the variable speed limit reduction.

The speed limit shall be returned to the original posted speed limit when the lane closure is removed and traffic is returned to the existing pattern.

### **Digital Speed Limit Signs (DSL S)**

Furnish and install Work Zone Digital Speed Limit Signs (DSL S) to continuously display the work zone speed limit. (Reference the *Work Zone Digital Speed Signs* Project Special Provision found elsewhere in this RFP)

### **Long Term Work Zone Speed Reduction Ordinance**

If, at the Department’s sole discretion, the Design-Build Team can justify that the TMPs cannot be designed to adhere to the existing I-40 and I-77 posted speed limit requirements, the Design-Build Team shall submit a formal Work Zone Speed Limit Reduction Ordinance request to the Design-Build Manager for approval. The request shall state why the ordinance is needed and why the TMPs cannot be designed to avoid the need. The request shall also include an Engineering Study that justifies the need for a Work Zone Speed Limit Reduction Ordinance. (Reference the criteria listed in the NCDOT Work Zone Traffic Control Guidelines) Upon receipt of the formal request, the Design-Build Team shall allow six weeks for the Work Zone Speed Limit Reduction Ordinance to be approved. The Design-Build Team shall provide and install proper signing for all approved Work Zone Speed Limit Reduction Ordinances. The Design-Build Team shall identify the need for a Work Zone Speed Limit Reduction Ordinance in the Technical Proposal.

## **P. Law Enforcement**

Law enforcement officers may be used to maintain traffic through the work area and / or intersections. The use of law enforcement officers shall adhere to the following requirements:

- The Design-Build Team shall be responsible for coordinating with the law enforcement agency for the use of law enforcement officers.
- The Design-Build Team shall only utilize officers who are outfitted with law enforcement uniforms and marked vehicles, which are equipped with proper lights mounted on top of the vehicle and agency emblems.
- The Design-Build Team shall coordinate with the Engineer where and how law enforcement officers will be used during construction.
- Law Enforcement vehicles shall not be parked within the buffer space of a lane closure.

The Design-Build Team shall address where and how law enforcement officers will be used in the Technical Proposal.

## **Q. Temporary Shoring for the Maintenance of Traffic**

The Design-Build Team shall be responsible for all required temporary shoring, including but not limited to designing, providing, installing, maintaining and removing. Temporary shoring for the maintenance of traffic shall be as defined as shoring necessary to provide lateral support to the side of an excavation or embankment parallel to an open travelway when a theoretical 2:1 (H:V) slope from the bottom of the excavation or embankment intersects the existing ground line closer than five feet from the edge of pavement of the open travelway. The Design-Build Team shall identify locations where temporary shoring for maintenance of traffic will be required on the Transportation Management Phasing Concept. The Design-Build Team shall install temporary traffic barrier as shown on the PCB at Temporary Shoring Locations detail available on the Work Zone Traffic Control website noted below. The aforementioned detail provides design information on the temporary traffic barrier location in relation to the temporary shoring and traffic location. The NCDOT Geotechnical Engineering Unit and Work Zone Traffic Control websites have more information on temporary shoring. (Notes related to Temporary Shoring are not required in the General Notes sheet for the TMP)

The Design-Build Team shall adhere to the additional shoring requirement located on the Work Zone Traffic Control and Geotechnical Engineering Unit websites:

**<https://connect.ncdot.gov/projects/WZTC/Pages/default.aspx>**

**<https://connect.ncdot.gov/resources/Geological/Pages/default.aspx>**

The Design-Build Team shall identify on the appropriate traffic control details where temporary shoring will be used by providing station limits, offsets, cut sections, the type of shoring and where temporary traffic barrier will be located if needed.

#### **R. No Parking / Tow Away Zone Ordinance**

Prior to construction, the Department will obtain a No Parking / Tow Away Zone Ordinance on I-40 and I-77. The Design-Build Team shall provide and install proper signing for the No Parking / Tow Away Zone Ordinance as follow:

- 1000 feet in advance of the “Begin Road Work” signs
- On all on-ramps within the project limits
- A minimum of every 3000 feet in each direction

#### **S. On-Call Towing**

The Design-Build Team shall provide an on-call towing service for all disabled vehicles within the project limits and one mile outside of the Begin and End Project Limits on I-40 and I-77.

The towing service shall relocate disabled vehicles to secure pre-arranged locations outside of the project limits and off the NCDOT right of way.

The towing service shall provide tow vehicles capable of towing automobiles and light trucks (up to 10,000 pound gross vehicle weight) and medium and heavy-duty trucks (greater than 10,000 pound gross vehicle weight). All tow vehicles shall be able to tow using the "wheel lift" method and the conventional boom lift method.

The Design-Build Team shall immediately place a lime green Tow Sticker (provided by the Department) on all disabled vehicles. The Design-Build Team shall provide pertinent information on the sticker, including the designated tow location and the signature and agency of the person authorizing the tow.

The towing service shall tow a disabled vehicle within 20 minutes of placement of the lime green Tow Sticker. The towing service shall only tow vehicles displaying a lime green Tow Sticker.

For all vehicles towed, the Design-Build Team shall keep a record of the approximate disabled vehicle location, vehicle type, including make and color, and the vehicle license plate number. The Design-Build Team shall also maintain a record of the information on the lime green Tow Stickers, including the exact time the vehicle was removed and the exact location of where the vehicle was towed. The Design-Build shall immediately give all the aforementioned information to the Resident Engineer.

Within 30 minutes of a vehicle being towed, the Design-Build Team shall contact the Law Enforcement Agency that is responsible for enforcement on I-40 and I-77 and provide them with the information necessary for their Database. The towing service shall

commence the date construction begins and shall operate 24 hours a day, seven days a week until the project is completed.

Prior to any construction activity, the Design-Build Team shall arrange and attend a towing coordination meeting. The Design-Build Team shall coordinate this meeting with the Division and the Transportation Program Management Director. During this meeting, the locations where vehicles will be towed will be determined, the towing requirements will be confirmed and the process by which specific towing information will be conveyed to the appropriate personnel will be determined.

The towing service base of operation shall have a publically accessible published telephone number that shall be manned, or have call forwarding to an employee on call, during the aforementioned towing service operation times.

The Design-Build Team shall coordinate placement of the towing operation information on the project website with the NCDOT Communications Office. (Reference the Public Information Scope of Work found elsewhere in this RFP) This information shall include, but not be limited to vehicle tow locations, reasons for work zone towing, time frame allowed before the abandoned vehicle will be towed, how to retrieve the vehicle and any necessary phone numbers for retrieval.

#### **T. Shoulder Sweeping**

At a minimum, the Design-Build Team shall conduct monthly sweeping operations on shoulders within the project and a minimum of one mile beyond the project limits in each direction on I-40 and I-77.

**UTILITIES COORDINATION SCOPE OF WORK** (6-18-18)

The Design-Build Team shall obtain the services of a Professional Services Firm (PSF) knowledgeable in the NCDOT Utility Coordination Process involved with utility relocation / installation and highway construction. The aforementioned PSF shall be responsible for coordinating all utility relocations, removals and / or adjustments where the Design-Build Team and utility owner, with concurrence from the Department, determine that such work is essential for highway safety and performance of the required highway construction. Coordination shall be for all utilities whether or not they are specifically identified in this Scope of Work and shall include any necessary utility agreements when applicable. NCDOT will be the approving authority for all utility agreements and approval of plans.

During the procurement phase, the Department will allow no direct contact, either by phone, e-mail or in person, between the Design-Build Team and utility owners until after meetings between each individual proposer and the affected utility owners. After the aforementioned meetings, and during the life of the project, the Design-Build Team will only be allowed direct contact with the utility owners when the aforementioned PSF is present. (Reference the *Individual Meeting with Proposers* Project Special Provision found elsewhere in this RFP)

In accordance with the requirements herein, the Design-Build Team shall relocate / coordinate the relocation of all existing facilities that are 1) within existing or proposed full control of access and only accessible from a freeway through lane and / or ramp / loop, 2) in physical conflict with construction, 3) within the existing or proposed right of way and structurally inadequate, and / or 4) within the existing or proposed right of way and consist of unacceptable material. (Reference the NCDOT Policies and Procedures for Accommodating Utilities on Highway Rights of Way – January 1, 1975, Revised April 1, 1993) Proposed / relocated underground facilities that are located beneath the pavement structure shall only be allowed to cross the roadway as close to perpendicular as possible.

**Project Details**

The Design-Build Team shall be responsible for verifying the utility locations, type of facilities, and identifying the utility owners in order to coordinate the relocation of any utilities, known and unknown, in conflict with the project. The following utilities are known to be located within the project construction limits:

<b>Utility Owner</b>	<b>Utility Type</b>
AT&T	Communications
City of Statesville	Power
City of Statesville	Water / Sewer
Duke Energy	Distribution
Duke Energy	Transmission
Energy United	Power
Iredell Water Corp	Water
PSNC	Gas
Spectrum / TWC	Communications

### **Water and Sewer**

If the Design-Build Team's design and / or construction requires the relocation and / or encasement of existing water and / or sewer facilities, designs shall be coordinated with the NCDOT Utilities Unit. All costs associated with the design and construction for relocation and / or encasement of these existing water and / or sewer facilities shall be the responsibility of the Design-Build Team and shall be included in the lump sum bid for the project. The Design-Build Team shall develop designs; prepare all plans for needed agreements and permits; submit permits directly to the agencies and obtain approval from the agencies. The Design-Build Team shall be responsible for all permit fees.

For all parcels with access to existing water and / or sewer facilities that the project subdivides, the Design-Build Team shall design and construct water / sewer facility extensions to all sub-divided parcels, including but not limited to the sub-divided parcel with the existing water / sewer access, if necessary. The aforementioned water facility extensions shall be installed completely within the right of way. The aforementioned sewer facility extensions shall be installed completely within the right of way or a recorded easement. All costs associated with the design and construction of water / sewer facility extensions to sub-divided parcels shall be included in the Design-Build Team's lump sum bid for the project.

Designs shall be coordinated with the NCDOT Utilities Unit and the utility owners or their representatives. In .pdf format, the Design-Build Team shall electronically submit one half-size set and one full size set of utility construction drawings to the State Utilities Manager, via the Design-Build Unit, for further handling. Each set shall include a title sheet, plan sheets, profiles and special provisions, if required. Once accepted by the State Utilities Manager, the plans, with the appropriate agreement, will be sent to the utility owner for their review and concurrence.

The relocation and / or encasement of all water and sewer facilities shall be done in accordance with the NCDOT policies and standards, as well as the latest - City of Statesville and Iredell

Water Corporation's water and sewer design requirements / specifications. In the event of conflicting design parameters in the requirements noted above, the proposed design shall adhere to the most conservative values. The materials and appurtenances proposed by the Design-Build Team shall require approval by both NCDOT and the aforementioned appropriate utility owner prior to installation.

### **Utility Relocation Plans**

Excluding water and sewer conflicts, if the Design-Build Team's design and / or construction create a utility conflict, the Design-Build Team shall request that the utility owner submit relocation plans (Highway Construction Plans to be provided by the Design-Build Team to utility owners) that show existing utilities and proposed utility relocations for approval by the NCDOT.

In .pdf format, the Design-Build Team shall electronically submit one half-size set and one full size set of the Utility Relocation Plans to the NCDOT State Utilities Manager, via the Design-Build Unit, for review and approval. The Department shall approve the Utility Relocation Plans prior to any utility relocation work beginning. The Design-Build Team shall also be responsible for submitting the appropriate agreements to be used with the Utility Relocation Plans (See Agreements Section found elsewhere in this Scope of Work). After the review process is complete, the NCDOT Utilities Unit will submit an electronic copy of the authorization letter to the Design-Build Team. The NCDOT Utilities Unit will also submit an electronic copy of the approved Utility Relocation Plans, estimate and agreement to the Department's Resident Engineer. If the Utility Relocation Plans are approved subject to changes, it shall be the Design-Build Team's responsibility to coordinate these changes with the appropriate utility owner.

### **Cost Responsibility**

The Design-Build Team shall be responsible for all costs associated with relocating and / or encasing water and sewer facilities, as described in the Water and Sewer Section of this Scope of Work.

The NCDOT will be responsible for all other non-betterment utility relocation cost when the utility owner has prior rights of way / compensable interest. The utility owner shall be responsible for the relocation costs if they cannot furnish evidence of prior rights of way or a compensable interest in their facilities. The Design-Build Team shall be responsible for verifying / determining the cost responsibility (prior rights and compensable interest) for the utility relocations. The Design-Build Team shall be responsible for all costs associated with utility relocations due to haul roads and / or any other temporary conditions resulting from the Design-Build Team's methods of operation or sequence of work.

### **Compensable Interest**

Typically, affidavits, recorded easements or NCDOT agreements can serve as evidence of prior rights. A compensable interest is identified as follows:



- (A) Existing or prior easement rights within the limits of the project, either by recorded right of way or adverse possession (Utility occupying the same location for twenty (20) plus years outside the existing highway rights of way).
- (B) Entities covered under *General Statute 136-27.1* and *136-27.2*. Statute requires the NCDOT to pay the non-betterment cost for certain water, sewer and gas relocations.
- (C) Utilities that have a joint-use agreement that constitutes a compensable interest with entities that have existing or prior easements rights within the project limits.

### **Work Performed by Design-Build Team for Utility Owners**

If the Design-Build Team elects to make arrangements with a utility owner for proposed utility construction not required herein, in which the utility owner shall be responsible for the costs of work to be performed by the Design-Build Team, the Design-Build Team shall be responsible for negotiating all costs associated with the proposed construction. Once the Design-Build Team and the utility owner agree on a plan and a lump sum estimated cost for the utility construction, the Design-Build Team shall electronically submit one half-size set and one full size set of the utility construction drawings, in .pdf format, to the State Utilities Manager, via the Design-Build Unit, for further handling. Each set shall include a title sheet, plan sheets, profiles and special provisions, if required. Also, a letter from the utility owner agreeing to the plans and lump sum cost must accompany this package. The NCDOT will reimburse the Design-Build Team the estimated lump sum cost under a Supplemental Agreement. The necessary Utility Construction Agreement (UCA) to the utility owner for reimbursement shall be a two party agreement between the NCDOT and the utility owner; and will be developed and executed by the Department.

If the Design-Build Team is requested, in writing, by a utility owner to relocate facilities not impacted by the project's construction, and / or upgrade or incorporate new facilities as part of the highway construction, designs shall be coordinated with the utility owner and NCDOT Utilities Unit. The associated design and construction costs shall be negotiated and agreed upon between the Design-Build Team and the utility owner. The Design-Build Team shall develop designs; prepare all plans for needed agreements and permits; submit permits directly to the agencies and obtain approval from the agencies. The Design-Build Team shall be responsible for all permit fees.

### **Cable TV**

The cost in relocating CATV due to highway construction shall be the responsibility of the CATV Company; however, 1) if the CATV Company can validate a recorded easement for facilities outside the maintained NCDOT right of way, the Department will bear the relocation expense; and 2) if the adjustment is needed on existing utility poles to accommodate a proposed NCDOT Traffic Management System Fiber Optic Communication Cable Project, the Design-Build Team shall be responsible for the relocation cost.

The NCDOT will not permit CATV to place poles within the highway right of way but will allow down guys for their facilities within the highway right of way. Under most circumstances, the CATV Company will continue a joint-use attachment with the local power and telephone company. If the CATV proposed relocation places buried facilities within the highway right of way then plans and encroachment agreements shall be required by the NCDOT.

### **Communication Cables / Electrical Services for ITS**

Prior to establishing the location for new meter poles, the Design-Build Team shall coordinate with the local power distribution company concerning accessibility of E/C service and safety in maintenance of the meter.

Prior to installation, the Design-Build Team shall provide plans for review and approval for all service taps that require a parallel installation within the control of access (C/A).

Parallel service installation within a C/A shall be buried and located as close to the right of way line as practical. Only due to unusual circumstances will parallel aerial service installations within the C/A be allowed. The Design-Build Team shall justify the allowance of parallel aerial service installation and obtain NCDOT approval prior to installation

The Design-Build Team shall be responsible for all coordination activities, including deposit fees, required for the utility company to provide service taps. Prior to the Design-Build Team developing the associated design and / or instructing the utility company to proceed with providing the service taps, the Design-Build Team shall obtain written approval of the service tap locations from the Resident Engineer.

The Design-Build Team shall be responsible for all costs associated with providing communication cables / electrical service from the service tap to the ITS devices.

### **Adjusting Existing Utilities due to Proposed Traffic Management Systems Fiber Optic Communications Cables**

The Design-Build Team shall be responsible for all costs for coordinating and adjusting any utilities that are in conflict with any proposed communication cables.

### **Requirements for Attachments to Existing and / or Proposed Structures**

The Design-Build Team shall avoid attachments to structures where feasible. Attachments shall only be considered when other alternatives are cost prohibitive and / or are not feasible due to environmental or geographical features. All utility related attachments must be evaluated and approved by the State Utilities Manager, including any existing attachments to any structure(s) that require modification or replacement. Attachments shall be prohibited under the following conditions:

- (A) No attachments shall be allowed to a bridge located parallel within the C/A carrying the freeway over streams, other roadways or railroads. (No parallel utility installations within the C/A)
- (B) No attachments shall be allowed to cored-slab bridges.
- (C) No attachments shall be allowed to curved bridges.

Attachments to structures, if approved by the State Utilities Manager, shall meet the following criteria:

- (A) No attachments shall be allowed below the bottom of the beams and / or girders.
- (B) Drilling of, or attachments to, beams and / or girders shall not be allowed. Attachments shall only be allowed to the bottom of the bridge deck.
- (C) For water and sewer force mains, only restrained joint ductile iron pipe shall be allowed.
- (D) A minimum of 18” of clearance to beams and / or girders shall be maintained if possible.

Documentation of adverse conditions or cost estimates of all feasible alternatives shall be submitted to the NCDOT State Utilities Manager, via the Design-Build Unit, when seeking approval of a structure attachment. Cost estimates shall consider all costs involved with each alternative and impacts to the utility and the highway project as a whole.

### **General**

The Design-Build Team shall not commence work at points where the highway construction operations are adjacent to utility facilities, until making arrangements with the utility owner to protect against damage that might result in expense, loss, disruption of service or other undue inconvenience to the public or utility owner. The Design-Build Team shall be responsible for damage to the existing or relocated utilities resulting from the Design-Build Team's operations. In the event of interruption of any utilities by the project construction, the Design-Build Team shall promptly notify the utility owner and cooperate with the utility owner in the prompt restoration of service.

The Design-Build Team shall accommodate utility adjustments, reconstruction, new installation and routine maintenance work that may be underway or take place during the progress of the contract.

If total property acquisition is unavoidable due to encroachment into wells and / or septic systems, the Design-Build Team shall investigate and determine if extending water and / or sewer lines to the affected property is cost effective. If the Department concurs with the determination that a utility extension is cost effective, the costs associated with the utility design

and construction shall be addressed in accordance with Article 104-7 of the 2018 NCDOT *Standard Specifications for Roads and Structures*.

The Design-Build Team shall be required to use the guidelines as set forth in the following:

- (A) *NCDOT Utility Manual - Policies & Procedures for Accommodating Utilities on Highway Rights of Way* and the *NCDOT Utilities Policy Manual*. If the two aforementioned manuals contradict each other, the *Utilities Policy Manual* shall govern. Reference the website noted below for the current version of the NCDOT utility manuals, and additional information on the transition to the new utility manuals that shall be adhered to:

**<https://connect.ncdot.gov/municipalities/Utilities/Pages/UtilitiesManuals.aspx>**

- (B) *Federal Aid Policy Guide* - Subchapter G, Part 645, Subparts A & B
- (C) *Federal Highway Administration's Program Guide, Utility Adjustments & Accommodations on Federal Aid Highway Projects*
- (D) *NCDOT Construction Manual* Section 105-8
- (E) *NCDOT Right of Way Manual* - Chapter 16 Utility Relocations
- (F) *NCDEQ Public Water Supply* - Rules governing public water supply
- (G) *NCDEQ Division of Water Resources* - Title 15A - Environment and Natural Resources

## **Agreements**

If a utility company can provide evidence of prior rights of way or a compensable interest in their facilities, the Design-Build Team shall coordinate the non-betterment utility relocation costs with the utility company and develop the Utility Relocation Agreement, (URA).

The NCDOT State Utilities Manager must execute approved agreements on Design-Build projects. The URA's and Encroachment Agreements are available from the NCDOT Utilities Unit. Reference the *NCDOT Utility Manual Policies & Procedures for Accommodating Utilities on Highway Rights of Way* for the different types of Encroachment Agreements available for use.

The Design-Build Team shall develop a preliminary Utility Analysis and Routing Report (UARR (p)) to identify potential utility conflicts, determine preliminary alignments and schedules for the relocation of each utility, and identify any anticipated Permanent Utility Easements (PUE). The aforementioned UARR (p) shall be submitted to the NCDOT Utility Unit via the Design-Build Unit, for review a minimum of ten days before the Right of Way Plans submittal.

The Design-Build Team shall submit all utility agreements, and all supporting documents to the NCDOT State Utilities Manager, via the Design-Build Unit, in electronic format. Prior to submittal, all agreements shall be signed electronically by an authorized representative of the utility owner. These electronic agreement packets will be reviewed, approved and signed electronically by the NCDOT Utilities Manager, or designated representative, before being distributed to the field.

The Design-Build Team shall utilize the NCDOT Standard Utility Encroachment Agreements, as necessary, in relocating utilities. The Encroachment Agreements shall be used under the following conditions:

- (A) If a utility company is not occupying a valid right of way / compensable interest and the proposed relocation will place the relocated utilities within the existing or proposed highway right of way.
- (B) For **all** new utility installations, not covered under a Utility Construction Agreement and within the existing or proposed highway right of way. This includes all water, sewer and gas lines owned by entities covered under *General Statute 136-27.1* and *136-27.2*.

**\*\*\* STANDARD SPECIAL PROVISIONS \*\*\*****PLANT AND PEST QUARANTINES****(Imported Fire Ant, Gypsy Moth, Witchweed, Emerald Ash Borer and Other Noxious Weeds)**

(8-31-13)(Rev. 12-20-16)

DB1 G130

**Within Quarantined Area**

This project may be within a county regulated for plant and / or pests. If the project or any part of the Design-Build Team's operations is located within a quarantined area, thoroughly clean all equipment prior to moving out of the quarantined area. Comply with federal / state regulations by obtaining a certificate or limited permit for any regulated article moving from the quarantined area.

**Originating in a Quarantined County**

Obtain a certificate or limited permit issued by the N.C. Department of Agriculture / United States Department of Agriculture. Have the certificate or limited permit accompany the article when it arrives at the project site.

**Contact**

Contact the N.C. Department of Agriculture / United States Department of Agriculture at 1-800-206-9333, 919-707-3730, or <http://www.ncagr.gov/plantindustry/> to determine those specific project sites located in the quarantined area or for any regulated article used on this project originating in a quarantined county.

**Regulated Articles Include**

1. Soil, sand, gravel, compost, peat, humus, muck, and decomposed manure, separately or with other articles. This includes movement of articles listed above that may be associated with cut / waste, ditch pulling, and shoulder cutting.
2. Plants with roots including grass sod
3. Plant crowns and roots
4. Bulbs, corms, rhizomes, and tubers of ornamental plants
5. Hay, straw, fodder, and plant litter of any kind
6. Clearing and grubbing debris
7. Used agricultural cultivating and harvesting equipment
8. Used earth-moving equipment
9. Any other products, articles, or means of conveyance, of any character, if determined by an inspector to present a hazard of spreading imported fire ant, gypsy moth, witchweed, emerald ash borer or other noxious weeds.

**ROCK AND BROKEN PAVEMENT FILLS**

(12-29-15) (Rev. 8-31-17)

235

DB2 R85

Revise the 2018 *Standard Specifications for Roads and Structures* as follows:

**Page 2-23, Article 235-2 MATERIALS**, add the following after **Line 15**:

<b>Item</b>	<b>Section</b>
Geotextile for Rock and Broken Pavement Fills, Type 2	1056

Provide Type 2 geotextile for filtration geotextiles. Use rip rap and No. 57 stone from either a quarry or onsite material to fill voids in rock and broken pavement fills. Provide small and large size rip rap with stone sizes that meet Class A and B in accordance with Table 1042-1 and No. 57 stone with a gradation that meets Table 1005-1 or use similar size onsite material approved by the Engineer.

**Page 2-24, Subarticle 235-3(B) Embankment Formation, Lines 18 - 19**, delete the third sentence in the seventh paragraph.

**Page 2-24, Subarticle 235-3(B) Embankment Formation, Lines 21 - 23**, replace the eighth paragraph with the following:

Before placing embankment fill material or filtration geotextiles over rock and broken pavement, fill voids in the top of rock and broken pavement fill with rip rap and No. 57 stone. Place and compact larger rip rap first followed by smaller rip rap. Then, fill any remaining voids with No. 57 stone so geotextiles are not torn, ripped or otherwise damaged when installed and covered. Compact rip rap and No. 57 stone with tracked equipment or other approved methods. Install filtration geotextiles on top of rock, broken pavement, rip rap and No. 57 stone in accordance with Article 270-3 before placing remaining embankment fill material.

Remove any rocks, debris or pavement pieces from the roadbed larger than two inches within 12" of the subgrade or finished grade, whichever is lower.

**BRIDGE APPROACH FILLS**

(10-19-10) (Rev. 10-17-17)

422

DB4 R02A

**Description**

Bridge approach fills consist of backfilling behind bridge end bents with select material or aggregate to support all or portions of bridge approach slabs. Install drains to drain water from bridge approach fills and geotextiles to separate approach fills from embankment fills, ABC and natural ground as required. For bridge approach fills behind end bents with mechanically stabilized earth (MSE) abutment walls, reinforce bridge approach fills with MSE wall reinforcement connected to end bent caps. Construct bridge approach fills in accordance with the contract, accepted submittals and 2018 Roadway Standard Drawing Nos. 422.01 or 422.02 or Roadway Detail Drawing No. 422D10.

Define bridge approach fill types as follows:

*Approach Fills* – Bridge approach fills in accordance with 2018 Roadway Standard Drawing No. 422.01, Roadway Standard Drawing No. 422.02 or Roadway Detail Drawing No. 422D10

*Standard Approach Fill* – Type I Standard Bridge Approach Fill in accordance with 2018 Roadway Standard Drawing No. 422.01

*Modified Approach Fill* – Type II Modified Bridge Approach Fill in accordance with 2018 Roadway Standard Drawing No. 422.02

*Reinforced Approach Fill* – Type III Reinforced Bridge Approach Fill in accordance with Roadway Detail Drawing No. 422D10

## Materials

Refer to Division 10 of the 2018 *Standard Specifications for Roads and Structures*.

<b>Item</b>	<b>Section</b>
Geotextiles, Type 1	1056
Portland Cement Concrete	1000
Select Materials	1016
Subsurface Drainage Materials	1044

Provide Type 1 geotextile for separation geotextiles and Class B concrete for outlet pads. Use Class V or Class VI select material for standard and modified approach fills. For an approach fill behind a bridge end bent with an MSE abutment wall, backfill the reinforced approach fill with the same aggregate type approved for the reinforced zone in the accepted MSE wall submittal. For MSE wall aggregate, reinforcement and connector materials, see the *Mechanically Stabilized Earth Retaining Walls* provision. Provide PVC pipes, fittings and outlet pipes for subsurface drainage materials. For PVC drain pipes, use pipes with perforations that meet AASHTO M 278.

## Construction Methods

Excavate as necessary for approach fills in accordance with the contract. Notify the Engineer when foundation excavation is complete. Do not place separation geotextiles or aggregate until approach fill dimensions and foundation material are approved.

For reinforced approach fills, cast MSE wall reinforcement or connectors into end bent cap backwalls within 3" of locations shown in the accepted MSE wall submittals. Install MSE wall reinforcement with the orientation, dimensions and number of layers shown in the accepted MSE wall submittals. If a reinforced approach fill is designed with geogrid reinforcement embedded in an end bent cap, cut geogrids to the required lengths and after securing ends of geogrids in place, reroll and rewrap portions of geogrids not embedded in the cap to protect geogrids from damage. Before placing aggregate, pull geosynthetic reinforcement taut so that it is in tension



and free of kinks, folds, wrinkles or creases.

Attach separation geotextiles to end bent cap backwalls and wing walls with adhesives, tapes or other approved methods. Overlap adjacent separation geotextiles at least 18" with seams oriented parallel to the roadway centerline. Hold geotextiles in place with wire staples or anchor pins as needed. Contact the Engineer when existing or future obstructions such as foundations, pavements, pipes, inlets or utilities will interfere with separation geotextiles or MSE wall reinforcement.

Install continuous perforated PVC drain pipes with perforations pointing down in accordance with 2018 Roadway Standard Drawing Nos. 422.01 or 422.02. Connect drain pipes to outlet pipes just beyond wing walls. Connect PVC pipes, fittings and outlet pipes with solvent cement in accordance with Article 815-3 of the 2018 *Standard Specifications for Roads and Structures* and place outlet pads in accordance with 2018 Roadway Standard Drawing No. 815.03.

Install drain pipes so water drains towards outlets. If the groundwater elevation is above drain pipe elevations, raise drains up to maintain positive drainage towards outlets. Place pipe sleeves in or under wing walls so water drains towards outlets. Use sleeves that can withstand wing wall loads.

Place select material or aggregate in 8" to 10" thick lifts. Compact fine aggregate for reinforced approach fills in accordance with Subarticle 235-3(C) of the 2018 *Standard Specifications for Roads and Structures* except compact fine aggregate to a density of at least 98%. Compact select material for standard or modified approach fills and coarse aggregate for reinforced approach fills with a vibratory compactor to the satisfaction of the Engineer. Do not displace or damage geosynthetics, MSE wall reinforcement or drains when placing and compacting select material or aggregate. End dumping directly on geosynthetics is not permitted. Do not operate heavy equipment on geosynthetics or drain pipes until they are covered with at least 8" of select material or aggregate. Replace any damaged geosynthetics or drains to the satisfaction of the Engineer. When approach fills extend beyond bridge approach slabs, wrap separation geotextiles over select material or aggregate as shown in 2018 Roadway Standard Drawing No. 422.01 or 2018 Roadway Detail Drawing No. 422D10.

For temporary walls, use welded wire reinforcement for welded wire facing and Type 5 geotextile for reinforcement geotextiles. Use Type 5 geotextile with lengths and an ultimate tensile strength as shown in 2018 Roadway Standard Drawing No. 422.03. Provide Type 1 geotextile for separation geotextiles and Class B concrete for outlet pads. Use Class V or Class VI select material for alternate approach fills and temporary walls. Provide PVC pipes, fittings and outlet pipes for subsurface drainage materials. For PVC drain pipes, use pipes with perforations that meet AASHTO M 278.

### **AUTOMATED FINE GRADING**

(9-1-11) (Rev. 9-13-17)

DB5 R05

On mainline portions and ramps of this project, prepare the subgrade and base beneath the pavement structure in accordance with the applicable sections of the 2018 *Standard Specifications for Roads and Structures* except use an automatically controlled fine grading machine utilizing string lines, laser controls, or other approved methods to produce final

subgrade and base surfaces meeting the lines, grades, and cross sections required by the plans developed by the Design-Build Team or established by the Engineer.

### **ALTERNATE BRIDGE APPROACH FILLS FOR INTEGRAL ABUTMENTS**

(11-21-17)

422

DB4 R02B

#### **Description**

At the Design-Build Team's option, use Type A Alternate Bridge Approach Fills instead of Type I or II Bridge Approach Fills to support bridge approach slabs for integral bridge abutments. An alternate bridge approach fill shall consist of constructing an approach fill with a temporary geotextile wall before placing all or a portion of the concrete for the backwall and wing walls of the integral end bent cap. The temporary geotextile wall shall be designed for a crane surcharge, shall remain in place and be aligned so the wall face functions as a form for the end bent cap backwall and wing walls. Install drains, welded wire facing and geotextiles and backfill approach fills and temporary walls with select material as required. Define "geotextiles" as separation or reinforcement geotextiles, "temporary wall" as a temporary geotextile wall and "alternate approach fill" as a Type A Alternate Bridge Approach Fill in accordance with 2018 Roadway Standard Drawing No. 422.03.

#### **Materials**

Refer to Division 10 of the 2018 *Standard Specifications for Roads and Structures*.

<b>Item</b>	<b>Section</b>
Geotextiles	1056
Portland Cement Concrete	1000
Select Materials	1016
Subsurface Drainage Materials	1044
Welded Wire Reinforcement	1070-3

For temporary walls, use welded wire reinforcement for welded wire facing and Type 5 geotextile for reinforcement geotextiles. Use Type 5 geotextile with lengths and an ultimate tensile strength as shown in 2018 Roadway Standard Drawing No. 422.03. Provide Type 1 geotextile for separation geotextiles and Class B concrete for outlet pads. Use Class V or Class VI select material for alternate approach fills and temporary walls. Provide PVC pipes, fittings and outlet pipes for subsurface drainage materials. For PVC drain pipes, use pipes with perforations that meet AASHTO M 278.

#### **Construction Methods**

Excavate as necessary for alternate approach fills and temporary walls in accordance with the contract. Notify the Engineer when foundation excavation is complete. Do not place geotextiles until approach fill dimensions and foundation material are approved.

Install geotextiles as shown in 2018 Roadway Standard Drawing No. 422.03. Attach separation geotextiles to end bent cap backwalls and wing walls as needed with adhesives, tapes or other approved methods. Overlap adjacent geotextiles at least 18" with seams oriented parallel to the

roadway centerline. Hold geotextiles in place with wire staples or anchor pins as needed. Contact the Engineer when existing or future obstructions such as foundations, pavements, pipes, inlets or utilities will interfere with geotextiles.

Install continuous perforated PVC drain pipes with perforations pointing down in accordance with 2018 Roadway Standard Drawing No. 422.03. Connect drain pipes to outlet pipes just beyond wing walls. Connect PVC pipes, fittings and outlet pipes with solvent cement in accordance with Article 815-3 of the 2018 *Standard Specifications for Roads and Structures* and place outlet pads in accordance with 2018 Roadway Standard Drawing No. 815.03.

Install drain pipes so water drains towards outlets. If the groundwater elevation is above drain pipe elevations, raise drains up to maintain positive drainage towards outlets. Place pipe sleeves in or under wing walls so water drains towards outlets. Use sleeves that can withstand wing wall loads.

At the Design-Build Team's option, construct bottom portion of integral end bents before temporary walls as shown in 2018 Roadway Standard Drawings No. 422.03. Erect and set welded wire facing so facing functions as a form for the end bent cap backwall. Place welded wire facing adjacent to each other in the horizontal and vertical directions to completely cover the temporary wall face. Stagger welded wire facing to create a running bond by centering facing over joints in the row below.

Wrap reinforcement geotextiles at the temporary wall face in accordance with 2018 Roadway Standard Drawing No. 422.03 and cover geotextiles with at least 3" of select material. Place layers of reinforcement geotextiles within 3" of locations shown in 2018 Roadway Standard Drawing No. 422.03. Before placing select material, pull reinforcement geotextiles taut so they are in tension and free of kinks, folds, wrinkles or creases. Install reinforcement geotextiles with the direction shown in 2018 Roadway Standard Drawing No. 422.03. Do not splice or overlap reinforcement geotextiles so seams are parallel to the temporary wall face.

Place select material in 8" to 10" thick lifts and compact select material with a vibratory compactor to the satisfaction of the Engineer. Do not displace or damage geotextiles or drains when placing and compacting select material. End dumping directly on geotextiles is not permitted. Do not operate heavy equipment on geotextiles or drain pipes until they are covered with at least 8" of select material. Replace any damaged geotextiles or drains to the satisfaction of the Engineer. When alternate approach fills extend beyond bridge approach slabs, wrap separation geotextiles over select material as shown in 2018 Roadway Standard Drawing No. 422.03.

Temporary walls shall be designed for a surcharge pressure in accordance with 2018 Roadway Standard Drawing No. 422.03. If the crane surcharge will exceed the wall design, contact the Engineer before positioning the crane over reinforcement geotextiles.

**AGGREGATE SUBGRADE**

(Special)

**DESCRIPTION**

Construct aggregate subgrades in accordance with the contract. Install geotextile for pavement stabilization and place Class IV subgrade stabilization at locations shown in the plans developed by the Design-Build Team and as directed.

**MATERIALS**

Refer to Division 10.

Item	Section
Geotextile for Pavement Stabilization, Type 5	1056
Select Material, Class IV	1016

Use Class IV select material for Class IV subgrade stabilization. (Reference the *Geotextile for Pavement Stabilization* Project Special Provision found elsewhere in this RFP for geotextile requirements)

**CONSTRUCTION METHODS**

Undercut soil, if necessary, to construct aggregate subgrades. Perform undercut excavation in accordance with Section 225 of the *Standard Specifications for Roads and Structures*. Define “subbase” as the portion of the roadbed below the Class IV subgrade stabilization. The types of aggregate subgrade with thickness and compaction requirements for each are as shown below.

- Type 1** – A 6 to 24 inch thick aggregate subgrade with Class IV subgrade stabilization compacted to 92% of AASHTO T 180 as modified by the Department or to the highest density that can be reasonably obtained.
- Type 2** – An 8-inch thick aggregate subgrade on a DCP tested subbase with Class IV subgrade stabilization compacted to 97% of AASHTO T 180 as modified by the Department.

For Type 1 or Type 2 aggregate subgrades, DCP test subbases in accordance with the Geotechnical Scope of Work found elsewhere in the RFP before installing geotextile for pavement stabilization.

Install geotextile in accordance with the *Geotextile for Pavement Stabilization* Project Special Provision found elsewhere in this RFP. Place Class IV subgrade stabilization (standard size ABC) by end dumping ABC on geotextiles. Do not operate heavy equipment on geotextiles until geotextiles are covered with Class IV subgrade stabilization. Compact ABC as required for the type of aggregate subgrade constructed.

Maintain Class IV subgrade stabilization in an acceptable condition and minimize the use of heavy equipment on ABC in order to avoid damaging aggregate subgrades. Provide and maintain

drainage ditches and drains as required to prevent entrapping water in aggregate subgrades.

**FINAL SURFACE TESTING**

(4-26-16) (Rev. 9-13-17)

DB6 R45

On all mainline travel lanes, including but not limited to auxiliary lanes, and -Y- Line travel lanes with 1) two or more layers of asphalt, 2) one mile or greater in length, and 3) a posted speed limit of 45 mph or greater, perform smoothness acceptance testing of the longitudinal profile of the finished pavement surface using an Inertial Profiler in accordance with Sections 610 and 710 of the 2018 *Standard Specifications for Roads and Structures* The North Carolina Hearne Straightedge will not be permitted.

**SUBSURFACE DRAINAGE**

(9-1-11) (Rev. 9-14-17)

DB8 R05

Revise the 2018 *Standard Specifications for Roads and Structures* as follows:

**Page 8-11, Article 815-1, Delete the first sentence and replace with the following:**

The Design-Build Team shall construct subsurface drains, underdrains, blind drains and other types of drains where groundwater is within six feet of subgrade.

**ASPHALT CONCRETE PLANT MIX PAVEMENTS**

(11-22-17)

610, 1012

DB6 R65

Revise the 2018 *Standard Specifications for Roads and Structures* as follows:

**Page 6-17, Table 610-1, MIXING TEMPERATURE AT THE ASPHALT PLANT, replace with the following:**

<b>TABLE 610-1</b>	
<b>MIXING TEMPERATURE AT THE ASPHALT PLANT</b>	
<b>Binder Grade</b>	<b>JMF Temperature</b>
PG 58-28; PG 64-22	250 - 290° F
PG 76-22	300 - 325° F

**Page 6-17, Subarticle 610-3(C), Job Mix Formula (JMF), Lines 38 - 39, delete the fourth paragraph.**

**Page 6-18, Subarticle 610-3(C), Job Mix Formula (JMF), Line 12, replace “SF9.5A” with “S9.5B”.**

Page 6-18, Table 610-3, MIX DESIGN CRITERIA, replace with the following:

<b>TABLE 610-3 MIX DESIGN CRITERIA</b>									
Mix Type	Design ESALs millions <sup>A</sup>	Binder PG Grade <sup>B</sup>	Compaction Levels		Max. Rut Depth (mm)	Volumetric Properties			
			Gmm @			VMA	VTM	VFA	%Gmm @ N <sub>ini</sub>
			N <sub>ini</sub>	N <sub>des</sub>		% Min.	%	Min.-Max.	
S4.75A	< 1	64 - 22	6	50	11.5	16.0	4.0 - 6.0	65 - 80	≤ 91.5
S9.5B	0 - 3	64 - 22	6	50	9.5	16.0	3.0 - 5.0	70 - 80	≤ 91.5
S9.5C	3 - 30	64 - 22	7	65	6.5	15.5	3.0 - 5.0	65 - 78	≤ 90.5
S9.5D	> 30	76 - 22	8	100	4.5	15.5	3.0 - 5.0	65 - 78	≤ 90.0
I19.0C	ALL	64 - 22	7	65	-	13.5	3.0 - 5.0	65 - 78	≤ 90.5
B25.0C	ALL	64 - 22	7	65	-	12.5	3.0 - 5.0	65 - 78	≤ 90.5
<b>Design Parameter</b>					<b>Design Criteria</b>				
All Mix Types	Dust to Binder Ratio (P <sub>0.075</sub> / P <sub>be</sub> )				0.6 - 1.4 <sup>C</sup>				
	Tensile Strength Ratio (TSR) <sup>D</sup>				85% Min. <sup>E</sup>				

A. Based on 20 year design traffic.

B. Volumetric Properties based on specimens compacted to N<sub>des</sub> as modified by the Department.

C. Dust to Binder Ratio (P<sub>0.075</sub> / P<sub>be</sub>) for Type S4.75A is 1.0 - 2.0.

D. NCDOT-T-283 (No Freeze-Thaw cycle required).

E. TSR for Type S4.75A & B25.0C mixes is 80% minimum.

Page 6-19, Table 610-5, BINDER GRADE REQUIREMENTS (BASED ON RBR%), replace with the following:

<b>TABLE 610-5 BINDER GRADE REQUIREMENTS (BASED ON RBR%)</b>			
Mix Type	%RBR ≤ 20%	21% ≤ %RBR ≤ 30%	%RBR > 30%
S4.75A, S9.5B, S9.5C, I19.0C, B25.0C	PG 64-22	PG 64-22 <sup>A</sup>	PG 58-28
S9.5D, OGFC	PG 76-22 <sup>B</sup>	n/a	n/a

A. If the mix contains any amount of RAS, the virgin binder shall be PG 58-28.

B. Maximum Recycled Binder Replacement (%RBR) is 18% for mixes using PG 76-22 binder.

**Page 6-20, Table 610-6, PLACEMENT TEMPERATURES FOR ASPHALT**, replace with the following:

<b>TABLE 610-6 PLACEMENT TEMPERATURES FOR ASPHALT</b>	
<b>Asphalt Concrete Mix Type</b>	<b>Minimum Surface and Air Temperature</b>
B25.0C	35° F
I19.0C	35° F
S4.75A, S9.5B, S9.5C	40° F <sup>A</sup>
S9.5D	50° F

- A. If the mix contains any amount of RAS, The virgin binder shall be PG 58-28.

**Page 6-23, Table 610-7, DENSITY REQUIREMENTS**, replace with the following:

<b>TABLE 610-7 DENSITY REQUIREMENTS</b>	
<b>Mix Type</b>	<b>Minimum % G<sub>mm</sub> (Maximum Specific Gravity)</b>
S4.75A	85.0 <sup>A</sup>
S9.5B	90.0
S9.5C, S9.5D, I19.0C, B25.0C	92.0

- A. Compaction to the above specified density will be required when the S4.75A mix is applied at a rate of 100 lbs/sy or higher.

**Page 10-30, Table 1012-1, AGGREGATE CONSENSUS PROPERTIES**, replace with the following:

<b>TABLE 1012-1 AGGREGATE CONSENSUS PROPERTIES<sup>A</sup></b>				
<b>Mix Type</b>	<b>Coarse Aggregate Angularity<sup>B</sup></b>	<b>Fine Aggregate Angularity % Minimum</b>	<b>Sand Equivalent % Minimum</b>	<b>Flat and Elongated 5 : 1 Ratio % Maximum</b>
<i>Test Method</i>	<i>ASTM D5821</i>	<i>AASHTO T 304</i>	<i>AASHTO T 176</i>	<i>ASTM D4791</i>
S4.75A; S9.5B	75 / -	40	40	-
S9.5C; I19.0C; B25.0C	95 / 90	45	45	10
S9.5D	100 / 100	45	50	10
OGFC	100 / 100	45	45	10
UBWC	100 / 85	45	45	10

A. Requirements apply to the design aggregate blend.

B. 95 / 90 denotes that 95% of the coarse aggregate has one fractured face and 90% has 2 or more fractured faces.

### **GUARDRAIL ANCHOR UNITS, TYPE M-350**

(9-1-11) (Rev. 9-14-17)

DB8 R60

#### **Description**

Furnish and install guardrail anchor units in accordance with the details in the plans developed by the Design-Build Team, the applicable requirements of Section 862 of the 2018 *Standard Specifications for Roads and Structures*, and at locations shown in the plans developed by the Design-Build Team.

#### **Materials**

The Design Build Team shall furnish guardrail anchor units listed on the NCDOT Approved Products List at <https://apps.dot.state.nc.us/vendor/approvedproducts/> or approved equal.

Prior to installation the Design Build Team shall submit to the Engineer:

1. FHWA acceptance letter for each guardrail anchor unit certifying it meets the requirements of NCHRP Report 350, Test Level 3, in accordance with Article 106-2 of the 2018 *Standard Specifications for Roads and Structures*.
2. Certified working drawings and assembling instructions from the manufacturer for each guardrail anchor unit in accordance with Article 105-2 of the 2018 *Standard Specifications for Roads and Structures*.

No modifications shall be made to the guardrail anchor unit without the express written permission from the manufacturer. Perform installation in accordance with the details in the



plans developed by the Design-Build Team, and details and assembling instructions furnished by the manufacturer.

### **Construction Methods**

Guardrail end delineation shall be required on all approach and trailing end sections for both temporary and permanent installations. Guardrail end delineation shall consist of yellow reflective sheeting applied to the entire end section of the guardrail in accordance with Article 1088-3 of the 2018 *Standard Specifications for Roads and Structures*.

### **GUARDRAIL END UNITS, TYPE TL-3**

(4-20-04) (Rev. 9-14-17)

862

DB8 R65

### **Description**

Furnish and install guardrail end units in accordance with the details in the plans developed by the Design-Build Team, the applicable requirements of Section 862 of the 2018 *Standard Specifications for Roads and Structures*, and at locations shown in the plans developed by the Design-Build Team.

### **Materials**

The Design-Build Team shall furnish guardrail end units listed on the NCDOT Approved Products List at <https://apps.dot.state.nc.us/vendor/approvedproducts/> or approved equal.

Prior to installation, the Design-Build Team shall submit to the Engineer:

1. FHWA acceptance letter for each guardrail end unit certifying it meets the requirements of the AASHTO Manual for Assessing Safety Hardware, Test Level 3, in accordance with Article 106-2 of the 2018 *Standard Specifications for Roads and Structures*.
2. Certified working drawings and assembling instructions from the manufacturer for each guardrail end unit in accordance with Article 105-2 of the 2018 *Standard Specifications for Roads and Structures*.

No modifications shall be made to the guardrail end unit without the express written permission from the manufacturer. Perform installation in accordance with the details in the plans developed by the Design-Build Team, and details and assembling instructions furnished by the manufacturer.

### **Construction Methods**

Guardrail end delineation shall be required on all approach and trailing end sections for both temporary and permanent installations. Guardrail end delineation shall consist of yellow reflective sheeting applied to the entire end section of the guardrail in accordance with Article 1088-3 of the 2018 *Standard Specifications for Roads and Structures*.

**IMPACT ATTENUATOR UNITS, TYPE 350 (TL - 3)**

(9-1-11) (Rev. 9-14-17)

DB8 R75

**Description**

Furnish and install impact attenuator units and any components necessary to connect the impact attenuator units in accordance with the manufacturer's requirement, the details in the plans developed by the Design-Build Team, and at locations shown in the plans developed by the Design-Build Team.

**Materials**

The Design-Build Team shall furnish impact attenuator units list on the NCDOT Approved Products List at <https://apps.dot.state.nc.us/vendor/approvedproducts/> or approved equal.

Prior to installation, the Design-Build Team shall submit to the Engineer:

1. FHWA acceptance letter for each impact attenuator unit certifying it meets the requirements of NCHRP Report 350, Test Level 3, in accordance with Article 106-2 of the 2018 *Standard Specifications for Roads and Structures*.
2. Certified working drawings and assembling instructions from the manufacturer for each impact attenuator unit in accordance with Article 105-2 of the 2018 *Standard Specifications for Roads and Structures*.

No modifications shall be made to the impact attenuator unit without the express written permission from the manufacturer. Perform installation in accordance with the details in the plans developed by the Design-Build Team, and details and assembling instructions furnished by the manufacturer.

**Construction Methods**

If the median width is 40 feet or less, the Design-Build Team shall supply NON-GATING Impact Attenuator Units.

If the median width is greater than 40 feet, the Design-Build Team may use GATING or NON-GATING Impact Attenuator Units.

**GUARDRAIL ANCHOR UNITS AND TEMPORARY GUARDRAIL ANCHOR UNITS**

(11-22-17)

862

DB8 R70

Guardrail anchor units shall be in accordance with the details in the plans developed by the Design-Build Team and the applicable requirements of Section 862 of the 2018 *Standard Specifications for Roads and Structures*.

**TEMPORARY SHORING**

(2-20-07) (Rev. 11-22-17)

DB11 R02

**Description**

Temporary shoring includes cantilever, braced and anchored shoring and temporary mechanically stabilized earth (MSE) walls. Temporary shoring does not include trench boxes. At the Design-Build Team's option, use any type of temporary shoring, unless noted otherwise in the plans developed by the Design-Build Team or as directed.

Design and construct temporary shoring based on actual elevations and shoring dimensions in accordance with the plans developed by the Design-Build Team and accepted submittals. Construct temporary shoring at locations shown in the plans developed by the Design-Build Team and as directed. Temporary shoring shall be required to maintain traffic when a 2:1 (H:V) slope from the top of an embankment or bottom of an excavation will intersect the existing ground line less than five feet from the edge of pavement of an open travelway. This standard special provision does not apply to pipe, inlet or utility installation unless noted otherwise in the plans developed by the Design-Build Team.

Positive protection includes concrete barrier and temporary guardrail. Provide positive protection for temporary shoring at locations shown in the plans developed by the Design-Build Team and as directed. Positive protection shall be required if temporary shoring is located in the clear zone in accordance with the AASHTO *Roadside Design Guide*.

**(A) Cantilever and Braced Shoring**

Cantilever shoring consists of steel sheet piles or H-piles with timber lagging. Braced shoring consists of sheet piles or H-piles with timber lagging and bracing such as beams, plates, walers, struts, rakers, etc. Define "piles" as sheet piles or H-piles.

**(B) Anchored Shoring**

Anchored shoring consists of sheet piles with walers or H-piles with timber lagging anchored with ground or helical anchors. Driven anchors may be accepted at the discretion of the Engineer. A ground anchor consists of a grouted steel bar or multi-strand tendon with an anchorage. A helical anchor consists of a lead section with a central steel shaft and at least one helix steel plate followed by extensions with only central shafts (no helixes) and an anchorage. Anchorages consist of steel bearing plates with washers and hex nuts for bars or steel wedge plates and wedges for strands. Use a prequalified Anchored Wall Contractor to install ground anchors. Define "anchors" as ground, helical or driven anchors.

**(C) Temporary MSE Walls**

Temporary MSE walls include temporary geosynthetic and wire walls. Define "temporary wall" as a temporary MSE wall and "Temporary Wall Vendor" as the vendor supplying the temporary MSE wall. Define "reinforcement" as geotextile, geogrid, welded wire grid or metallic strip reinforcement.

Temporary geosynthetic walls consist of geotextile or geogrid reinforcement wrapped behind welded wire facing. Define “temporary geotextile wall” as a temporary geosynthetic wall with geotextile reinforcement and “temporary geogrid wall” as a temporary geosynthetic wall with geogrid reinforcement.

Temporary wire walls consist of welded wire grid or metallic strip reinforcement connected to welded wire facing. Define “Wire Wall Vendor” as the vendor supplying the temporary wire wall.

(D) Embedment

Define “embedment” for cantilever, braced and anchored shoring as the pile depth below the grade in front of shoring. Define “embedment” for temporary walls as the wall height below the grade in front of walls.

(E) Positive Protection

Define “unanchored or anchored portable concrete barrier” as portable concrete barrier (PCB) that meets Roadway Standard Drawing No. 1170.01. Define “concrete barrier” as unanchored or anchored PCB or an approved equal. Define “temporary guardrail” as temporary steel beam guardrail that meets Roadway Standard Drawing No. 862.02.

## Materials

Refer to the 2018 *Standard Specifications for Roads and Structures*.

Item	Section
Concrete Barrier Materials	1170-2
Flowable Fill, Excavatable	1000-6
Geotextiles	1056
Neat Cement Grout	1003
Portland Cement Concrete	1000
Select Materials	1016
Steel Beam Guardrail Materials	862-2
Steel Plates	1072-2
Steel Sheet Piles and H-Piles	1084
Untreated Timber	1082-2
Welded Wire Reinforcement	1070-3

Provide Type 6 material certifications for shoring materials in accordance with Article 106-3 of the 2018 *Standard Specifications for Roads and Structures*. Use Class IV select material for temporary guardrail. Use neat cement grout for Type 2 grout for ground anchors. Use Class A concrete that meets Article 450-2 of the 2018 *Standard Specifications for Roads and Structures* or Type 1 grout for drilled-in piles. Provide untreated timber with a thickness of at least 3" and a bending stress of at least 1,000 pounds per square inch for timber lagging. Provide steel bracing that meets ASTM A36.

(A) Shoring Backfill

Use Class II, Type 1, Class III, Class V or Class VI select material or material that meets AASHTO M 145 for soil classification A-2-4 with a maximum PI of 6 for shoring backfill except do not use A-2-4 soil for backfill around culverts.

(B) Anchors

Store anchor materials on blocking a minimum of 12 inches above the ground and protect it at all times from damage; and when placing in the work make sure it is free from dirt, dust, loose mill scale, loose rust, paint, oil or other foreign materials. Load, transport, unload and store anchor materials so materials are kept clean and free of damage. Bent, damaged or defective materials shall be rejected.

(1) Ground Anchors

Use high-strength deformed steel bars that meet AASHTO M 275 or seven-wire strands that meet ASTM A886 or Article 1070-5 of the 2018 *Standard Specifications for Roads and Structures*. Splice bars in accordance with Article 1070-9 of the 2018 *Standard Specifications for Roads and Structures*. Do not splice strands. Use bondbreakers, spacers and centralizers that meet Article 6.3.5 of the AASHTO *LRFD Bridge Construction Specifications*.

(2) Helical Anchors

Use helical anchors with an ICC Evaluation Service, Inc. (ICC-ES) report. Provide couplers, thread bar adapters and bolts recommended by the Anchor Manufacturer to connect helical anchors together and to piles.

(3) Anchorages

Provide steel plates for bearing plates and steel washers, hex nuts, wedge plates and wedges recommended by the Anchor Manufacturer.

(C) Temporary Walls

(1) Welded Wire Facing

Use welded wire reinforcement for welded wire facing, struts and wires. For temporary wire walls, provide welded wire facing supplied by the Wire Wall Vendor or a manufacturer approved or licensed by the vendor. For temporary wire walls with separate reinforcement and facing components, provide connectors (e.g., bars, clamps, plates, etc.) and fasteners (e.g., bolts, nuts, washers, etc.) required by the Wire Wall Vendor.

## (2) Geotextiles

Provide Type 2 geotextile for separation and retention geotextiles. Provide Type 5 geotextile for geotextile reinforcement with ultimate tensile strengths in accordance with the accepted submittals.

## (3) Geogrid Reinforcement

Use geogrids with a roll width of at least four feet and an “approved” or “approved for provisional use” status code. The list of approved geogrids is available from:

**[connect.ncdot.gov/resources/Materials/Pages/Materials-Manual-by-Material.aspx](https://connect.ncdot.gov/resources/Materials/Pages/Materials-Manual-by-Material.aspx)**

Provide geogrids for geogrid reinforcement with design strengths in accordance with the accepted submittals. Geogrids are typically approved for ultimate tensile strengths in the machine direction (MD) and cross-machine direction (CD) or short-term design strengths for a three-year design life in the MD based on material type. Define material type from the website above for shoring backfill as follows:

Material Type	Shoring Backfill
Borrow	A-2-4 Soil
Fine Aggregate	Class II, Type 1 or Class III Select Material
Coarse Aggregate	Class V or VI Select Material

## (4) Welded Wire Grid and Metallic Strip Reinforcement

Provide welded wire grid and metallic strip reinforcement supplied by the Wire Wall Vendor or a manufacturer approved or licensed by the vendor. Use welded wire grid reinforcement (“mesh”, “mats” and “ladders”) that meet Article 1070-3 of the 2018 *Standard Specifications for Roads and Structures* and metallic strip reinforcement (“straps”) that meet ASTM A572 or A1011.

**Preconstruction Requirements**

## (A) Concrete Barrier

Define “clear distance” behind concrete barrier as the horizontal distance between the barrier and edge of pavement. The minimum required clear distance for concrete barrier is shown in the plans developed by the Design-Build Team. At the Design-Build Team’s option or if the minimum required clear distance is not available, set concrete barrier next to and up against traffic side of temporary shoring except for barrier above temporary walls. Concrete barrier with the minimum required clear distance shall be required above temporary walls.

(B) Temporary Guardrail

Define “clear distance” behind temporary guardrail as the horizontal distance between guardrail posts and temporary shoring. At the Design-Build Team’s option or if clear distance for cantilever, braced and anchored shoring is less than four feet, attach guardrail to traffic side of shoring as shown in the plans developed by the Design-Build Team. Place ABC in clear distance and around guardrail posts instead of pavement. Do not use temporary guardrail above temporary walls.

(C) Temporary Shoring Designs

Before beginning temporary shoring design, survey existing ground elevations in the vicinity of shoring locations to determine actual design heights (H). Submit .pdf files of working drawings and design calculations for temporary shoring designs in accordance with Article 105-2 of the 2018 *Standard Specifications for Roads and Structures*. Submit working drawings showing plan views, shoring profiles, typical sections and details of temporary shoring design and construction sequence. Do not begin shoring construction until a design submittal is accepted.

Have cantilever and braced shoring designed, detailed and sealed by an engineer licensed in the state of North Carolina. Use a prequalified Anchored Wall Design Consultant to design anchored shoring. Provide anchored shoring designs sealed by a design engineer approved as a Geotechnical Engineer (key person) for an Anchored Wall Design Consultant. Include details in anchored shoring working drawings of anchor locations and lock-off loads, unit grout / ground bond strengths for ground anchors or minimum installation torque and torsional strength rating for helical anchors and if necessary, obstructions extending through shoring or interfering with anchors. Include details in the anchored shoring construction sequence of pile and anchor installation, excavation and anchor testing.

Provide temporary wall designs sealed by an Engineer licensed in the state of North Carolina and employed or contracted by the Temporary Wall Vendor. Include details in temporary wall working drawings of geotextile and reinforcement types, locations and directions and obstructions extending through walls or interfering with reinforcement.

(1) Soil Parameters

Design temporary shoring for the assumed soil parameters and groundwater elevations shown in the plans developed by the Design-Build Team. Assume the following soil parameters for shoring backfill:

- (a) Unit weight ( $\gamma$ ) = 120 lb/cf;

(b)	Friction Angle ( $\Phi$ )	Shoring Backfill
	30°	A-2-4 Soil
	34°	Class II, Type 1 or Class III Select Material
	38°	Class V or VI Select Material

(c) Cohesion (c) = 0 lb/sf.

(2) Traffic Surcharge

Design temporary shoring for a traffic surcharge of 250 pounds per square foot if traffic will be above and within H of shoring. This traffic surcharge shall not apply to construction traffic. Design temporary shoring for any construction surcharge if construction traffic will be above and within H of shoring. For LRFD shoring designs, apply traffic (live load) surcharge in accordance with Figure C11.5.5-3 of the AASHTO *LRFD Bridge Design Specifications*.

(3) Cantilever, Braced and Anchored Shoring Designs

Use shoring backfill for fill sections and voids between cantilever, braced and anchored shoring and the critical failure surface. Use concrete or grout for embedded portions of drilled-in H-piles. Do not use drilled-in sheet piles.

Define “top of shoring” for cantilever, braced and anchored shoring as where the grade intersects the back of sheet piles or H-piles and timber lagging. Design cantilever, braced and anchored shoring for a traffic impact load of 2,000 pounds per foot applied 18 inches above top of shoring if concrete barrier is above and next to shoring or temporary guardrail is above and attached to shoring. For anchored shoring designs, apply traffic impact load as horizontal load ( $P_{H1}$ ) in accordance with Figure 3.11.6.3-2(a) of the AASHTO LRFD specifications.

Extend cantilever, braced and anchored shoring at least 32 inches above top of shoring if shoring is designed for traffic impact. Otherwise, extend shoring at least six inches above top of shoring.

Design cantilever, braced and anchored shoring for a maximum deflection of three inches if the horizontal distance to the closest edge of pavement or structure is less than H. Otherwise, design shoring for a maximum deflection of six inches. Design cantilever and braced shoring in accordance with the plans developed by the Design-Build Team and AASHTO *Guide Design Specifications for Bridge Temporary Works*.

Design anchored shoring in accordance with the plans developed by the Design-Build Team and Article 11.9 of the AASHTO *LRFD Bridge Design Specifications*. Use a resistance factor of 0.80 for tensile resistance of anchors with bars, strands or shafts. Extend the unbonded length for ground anchors and the shallowest helix for helical anchors at least five feet behind the critical failure surface. Do not extend anchors beyond right of way or easement limits. If existing



or future obstructions such as foundations, guardrail posts, pavements, pipes, inlets or utilities will interfere with anchors, maintain a clearance of at least six inches between obstructions and anchors.

(4) Temporary Wall Designs

Use shoring backfill in the reinforced zone of temporary walls. Separation geotextiles are required between shoring backfill and backfill, natural ground or culverts along the sides of the reinforced zone perpendicular to the wall face. For Class V or VI select material in the reinforced zone, separation geotextiles are also required between shoring backfill and backfill or natural ground on top of and at the back of the reinforced zone.

Design temporary walls in accordance with the plans developed by the Design-Build Team and Article 11.10 of the AASHTO *LRFD Bridge Design Specifications*. Embed temporary walls at least 18 inches except for walls on structures or rock as determined by the Engineer. Use a uniform reinforcement length throughout the wall height of at least 0.7H or six feet, whichever is longer. Extend the reinforced zone at least six inches beyond end of reinforcement. Do not locate the reinforced zone outside right of way or easement limits.

Use the simplified method for determining maximum reinforcement loads in accordance with the AASHTO LRFD specifications. For geotextile reinforcement, use geotextile properties approved by the Department or default values in accordance with the AASHTO LRFD specifications. For geogrid reinforcement, use approved geogrid properties available from the website shown elsewhere in this provision. If the website does not list a short-term design strength for an approved geogrid, use a short-term design strength equal to the ultimate tensile strength divided by 3.5 for the geogrid reinforcement. Use geosynthetic properties for the direction reinforcement will be installed, a three-year design life and shoring backfill to be used in the reinforced zone.

Do not use more than four different reinforcement strengths for each temporary geosynthetic wall. Design temporary geotextile walls for a reinforcement coverage ratio ( $R_c$ ) of 1.0. For temporary geogrid walls with an  $R_c$  of less than 1.0, use a maximum horizontal clearance between geogrids of three feet and stagger reinforcement so geogrids are centered over gaps in the reinforcement layer below.

For temporary geosynthetic walls, use “L” shaped welded wire facing with 18-inch to 24-inch long legs. Locate geotextile or geogrid reinforcement so reinforcement layers are at the same level as the horizontal legs of welded wire facing. Use vertical reinforcement spacing equal to facing height. Wrap geotextile or geogrid reinforcement behind welded wire facing and extend reinforcement at least three feet back behind facing into shoring backfill.

For temporary wire walls with separate reinforcement and facing components, attach welded wire grid or metallic strip reinforcement to welded wire facing with a connection approved by the Department. For temporary geogrid and wire walls, retain shoring backfill at welded wire facing with retention geotextiles and extend geotextiles at least three feet back behind facing into backfill.

(D) Preconstruction Meeting

The Engineer may require a shoring preconstruction meeting to discuss the construction, inspection and testing of the temporary shoring. If required and if this meeting occurs before all shoring submittals have been accepted, additional preconstruction meetings may be required before beginning construction of temporary shoring without accepted submittals. The Resident, District or Bridge Maintenance Engineer, Bridge or Roadway Construction Engineer, Geotechnical Operations Engineer, Design-Build Team and Shoring Contractor Superintendent will attend preconstruction meetings.

### **Construction Methods**

Control drainage during construction in the vicinity of shoring. Direct run off away from shoring and shoring backfill. Contain and maintain backfill and protect material from erosion.

Install positive protection in accordance with the contract and accepted submittals. Use PCB in accordance with Section 1170 of the 2018 *Standard Specifications for Roads and Structures* and Roadway Standard Drawing No. 1170.01. Use temporary guardrail in accordance with Section 862 of the 2018 *Standard Specifications for Roads and Structures* and Roadway Standard Drawing Nos. 862.01, 862.02 and 862.03.

(A) Tolerances

Construct shoring with the following tolerances:

- (1) Horizontal wires of welded wire facing are level in all directions,
- (2) Shoring location is within six inches of horizontal and vertical alignment shown in the accepted submittals, and
- (3) Shoring plumbness (batter) is not negative and within two degrees of vertical.

(B) Cantilever, Braced and Anchored Shoring Installation

If overexcavation behind cantilever, braced or anchored shoring is shown in the accepted submittals, excavate before installing piles. Otherwise, install piles before excavating for shoring. Install cantilever, braced or anchored shoring in accordance with the construction sequence shown in the accepted submittals. Remove piles and if applicable, timber lagging when shoring is no longer needed.

(1) Pile Installation

Install piles with the minimum required embedment and extension in accordance with Subarticles 450-3(D) and 450-3(E) of the 2018 *Standard Specifications for Roads and Structures* except that a pile driving equipment data form is not required. Piles may be installed with a vibratory hammer as approved by the Engineer.

Do not splice sheet piles. Use pile excavation to install drilled-in H-piles. After filling holes with concrete or grout to the elevations shown in the accepted submittals, remove any fluids and fill remaining portions of holes with flowable fill. Cure concrete or grout at least seven days before excavating.

Notify the Engineer if refusal is reached before pile excavation or driven piles attain the minimum required embedment. When this occurs, a revised design submittal may be required.

(2) Excavation

Excavate in front of piles from the top down in accordance with the accepted submittals. For H-piles with timber lagging and braced and anchored shoring, excavate in staged horizontal lifts with a maximum height of five feet. Remove flowable fill and material in between H-piles, as needed, to install timber lagging. Position lagging with at least three inches of contact in the horizontal direction between the lagging and pile flanges. Do not excavate the next lift until timber lagging for the current lift is installed and, if applicable, bracing and anchors for the current lift are accepted. Backfill behind cantilever, braced or anchored shoring with shoring backfill.

(3) Anchor Installation

If applicable, install foundations located behind anchored shoring before installing anchors. Fabricate and install ground anchors in accordance with the accepted submittals, Articles 6.4 and 6.5 of the AASHTO *LRFD Bridge Construction Specifications* and the following unless otherwise approved:

- (a) Materials in accordance with this provision shall be required instead of materials conforming to Articles 6.4 and 6.5.3 of the AASHTO LRFD Specifications,
- (b) Encapsulation-protected ground anchors in accordance with Article 6.4.1.2 of the AASHTO LRFD specifications are not required, and
- (c) Corrosion protection for unbonded lengths of ground anchors and anchorage covers are not required.

- (d) Measure grout temperature, density and flow during grouting with at least the same frequency grout cubes are made for compressive strength. Perform density and flow field tests in the presence of the Engineer in accordance with American National Standards Institute / American Petroleum Institute Recommended Practice 13B-1 (Section 4, Mud Balance) and ASTM C939 (Flow Cone), respectively.

Install helical anchors in accordance with the accepted submittals and Anchor Manufacturer's instructions. Measure torque during installation and do not exceed the torsional strength rating of the helical anchor. Attain the minimum required installation torque and penetration before terminating anchor installation. When replacing a helical anchor, embed last helix of the replacement anchor at least three helix plate diameters past the location of the first helix of the previous anchor.

(4) Anchor Testing

Proof test and lock-off anchors in accordance with the accepted submittals and Article 6.5.5 of the AASHTO *LRFD Bridge Construction Specifications* except for the acceptance criteria in Article 6.5.5.5. For the AASHTO LRFD specifications, "ground anchor" refers to a ground or helical anchor and "tendon" refers to a bar, strand or shaft.

(a) Anchor Acceptance

Anchor acceptance is based in part on the following criteria.

- (i) For ground and helical anchors, total movement is less than 0.04 inch between the 1 and 10 minute readings or less than 0.08 inch between the 6 and 60 minute readings.
- (ii) For ground anchors, total movement at maximum test load exceeds 80% of the theoretical elastic elongation of the unbonded length.

(b) Anchor Test Results

Submit .pdf files of anchor test records including movement versus load plots for each load increment within 24 hours of completing each row of anchors. The Engineer will review the test records to determine if the anchors are acceptable.

If the Engineer determines an anchor is unacceptable, revise the anchor design or installation methods. Submit a revised anchored shoring design for acceptance and provide an acceptable anchor with the revised design or installation methods. If required, replace the anchor or provide additional anchors with the revised design or installation methods.

(C) Temporary Wall Installation

Excavate as necessary for temporary walls in accordance with the plans developed by the Design-Build Team and accepted submittals. If applicable, install foundations located in the reinforced zone before placing shoring backfill or reinforcement unless otherwise approved. Notify the Engineer when foundation excavation is complete. Do not place shoring backfill or reinforcement until excavation dimensions and foundation material are approved.

Erect welded wire facing so the wall position is as shown in the plans developed by the Design-Build Team and accepted submittals. Set welded wire facing adjacent to each other in the horizontal and vertical direction to completely cover the wall face with facing. Stagger welded wire facing to create a running bond by centering facing over joints in the row below.

Wrap geotextile reinforcement and retention geotextiles behind welded wire facing as shown in the plans developed by the Design-Build Team and accepted submittals, and cover geotextiles with at least three inches of shoring backfill. Overlap adjacent geotextile reinforcement and retention and separation geotextiles at least 18 inches with seams oriented perpendicular to the wall face. Hold geotextiles in place with wire staples or anchor pins as needed.

Place reinforcement within three inches of locations shown in the plans developed by the Design-Build Team and accepted submittals. Before placing shoring backfill, pull reinforcement taut so it is in tension and free of kinks, folds, wrinkles or creases. Install reinforcement with the direction shown in the plans developed by the Design-Build Team and accepted submittals. For temporary wire walls with separate reinforcement and facing components, attach welded wire grid or metallic strip reinforcement to welded wire facing as shown in the accepted submittals. Do not splice or overlap reinforcement so seams are parallel to the wall face. Contact the Engineer when unanticipated existing or future obstructions such as foundations, pavements, pipes, inlets or utilities will interfere with reinforcement.

Place shoring backfill in the reinforced zone in eight-inch to ten-inch thick lifts. Compact A-2-4 soil and Class II, Type 1 and Class III select material in accordance with Subarticle 235-3(C) of the 2018 *Standard Specifications for Roads and Structures*. Use only hand operated compaction equipment to compact backfill within three feet of welded wire facing. At a distance greater than three feet, compact shoring backfill with at least four passes of an eight-ton to ten-ton vibratory roller in a direction parallel to the wall face. Smooth wheeled or rubber tired rollers are also acceptable for compacting backfill. Do not use sheepsfoot, grid rollers or other types of compaction equipment with feet. Do not displace or damage reinforcement when placing and compacting shoring backfill. End dumping directly on geotextile or geogrid reinforcement shall not be permitted. Do not operate heavy equipment on reinforcement until it is covered with at least eight inches of shoring backfill. Replace any damaged reinforcement to the satisfaction of the Engineer.

Backfill for temporary walls outside the reinforced zone in accordance with Article 410-8 of the 2018 *Standard Specifications for Roads and Structures*. Bench temporary walls into the sides of excavations where applicable. For temporary geosynthetic walls with top of wall within five feet of finished grade, remove top facing and incorporate top reinforcement layer into fill when placing fill in front of wall. Temporary walls remain in place permanently unless otherwise required.

### **ON-THE-JOB TRAINING**

(2-24-15) (Rev. 7-20-17)

Z-10

#### **Description**

The North Carolina Department of Transportation will administer a custom version of the Federal On-the-Job Training (OJT) Program, commonly referred to as the Alternate OJT Program. All contractors (existing and newcomers) will be automatically placed in the Alternate Program. Standard OJT requirements typically associated with individual projects will no longer be applied at the project level. Instead, these requirements will be applicable on an annual basis for each contractor administered by the OJT Program Manager.

On the Job Training shall meet the requirements of 23 CFR 230.107 (b), 23 USC – Section 140, this provision and the On-the-Job Training Program Manual.

The Alternate OJT Program will allow a contractor to train employees on Federal, State and privately funded projects located in North Carolina. However, priority shall be given to training employees on NCDOT Federal-Aid funded projects.

#### **Minorities and Women**

Developing, training and upgrading of minorities and women toward journeyman level status is a primary objective of this special training provision. Accordingly, the Contractor shall make every effort to enroll minority and women as trainees to the extent that such persons are available within a reasonable area of recruitment. This training commitment is not intended, and shall not be used, to discriminate against any applicant for training, whether a member of a minority group or not.

#### **Assigning Training Goals**

The Department, through the OJT Program Manager, will assign training goals for a calendar year based on the contractors' past three years' activity and the contractors' anticipated upcoming year's activity with the Department. At the beginning of each year, all contractors eligible will be contacted by the Department to determine the number of trainees that will be assigned for the upcoming calendar year. At that time the Contractor shall enter into an agreement with the Department to provide a self-imposed on-the-job training program for the calendar year. This agreement will include a specific number of annual training goals agreed to by both parties. The number of training assignments may range from 1 to 15 per contractor per calendar year. The Contractor shall sign an agreement to fulfill their annual goal for the year.

## Training Classifications

The Contractor shall provide on-the-job training aimed at developing full journeyman level workers in the construction craft / operator positions. Preference shall be given to providing training in the following skilled work classifications:

Equipment Operators	Office Engineers
Truck Drivers	Estimators
Carpenters	Iron / Reinforcing Steel Workers
Concrete Finishers	Mechanics
Pipe Layers	Welders

The Department has established common training classifications and their respective training requirements that may be used by the contractors. However, the classifications established are not all-inclusive. Where the training is oriented toward construction applications, training will be allowed in lower-level management positions such as office engineers and estimators. Contractors shall submit new classifications for specific job functions that their employees are performing. The Department will review and recommend for acceptance to FHWA the new classifications proposed by contractors, if applicable. New classifications shall meet the following requirements:

Proposed training classifications are reasonable and realistic based on the job skill classification needs, and

The number of training hours specified in the training classification is consistent with common practices and provides enough time for the trainee to obtain journeyman level status.

The Contractor may allow trainees to be trained by a subcontractor provided that the Contractor retains primary responsibility for meeting the training and this provision is made applicable to the subcontract. However, only the Contractor will receive credit towards the annual goal for the trainee.

Where feasible, 25 percent of apprentices or trainees in each occupation shall be in their first year of apprenticeship or training. The number of trainees shall be distributed among the work classifications on the basis of the contractor's needs and the availability of journeymen in the various classifications within a reasonable area of recruitment.

No employee shall be employed as a trainee in any classification in which they have successfully completed a training course leading to journeyman level status or in which they have been employed as a journeyman.

**Records and Reports**

The Contractor shall maintain enrollment, monthly and completion reports documenting company compliance under these contract documents. These documents and any other information as requested shall be submitted to the OJT Program Manager.

Upon completion and graduation of the program, the Contractor shall provide each trainee with a certification Certificate showing the type and length of training satisfactorily completed.

**Trainee Interviews**

All trainees enrolled in the program will receive an initial and Trainee / Post graduate interview conducted by the OJT program staff.

**Trainee Wages**

Contractors shall compensate trainees on a graduating pay scale based upon a percentage of the prevailing minimum journeyman wages (Davis-Bacon Act). Minimum pay shall be as follows:

60 percent	of the journeyman wage for the first half of the training period
75 percent	of the journeyman wage for the third quarter of the training period
90 percent	of the journeyman wage for the last quarter of the training period

In no instance shall a trainee be paid less than the local minimum wage. The Contractor shall adhere to the minimum hourly wage rate that will satisfy both the NC Department of Labor (NCDOL) and the Department.

**Achieving or Failing to Meet Training Goals**

The Contractor will be credited for each trainee employed by him on the contract work who is currently enrolled or becomes enrolled in an approved program and who receives training for at least 50 percent of the specific program requirement. Trainees will be allowed to be transferred between projects if required by the Contractor's scheduled workload to meet training goals.

If a contractor fails to attain their training assignments for the calendar year, they may be taken off the NCDOT's Bidders List.

**Measurement and Payment**

No compensation will be made for providing required training in accordance with these contract documents.



**STANDARD SPECIAL PROVISION****AVAILABILITY OF FUNDS – TERMINATION OF CONTRACTS**

(9-1-11)

Z-2

*General Statute 143C-6-11. (h) Highway Appropriation* is hereby incorporated verbatim in this contract as follows:

“(h) Amounts Encumbered – Transportation project appropriations may be encumbered in the amount of allotments made to the Department of Transportation by the Director for the estimated payments for transportation project contract work to be performed in the appropriation fiscal year. The allotments shall be multiyear allotments and shall be based on estimated revenues and shall be subject to the maximum contract authority contained in *General Statute 143C-6-11(c)*. Payment for transportation project work performed pursuant to contract in any fiscal year other than the current fiscal year is subject to appropriations by the General Assembly. Transportation project contracts shall contain a schedule of estimated completion progress, and any acceleration of this progress shall be subject to the approval of the Department of Transportation provided funds are available. The State reserves the right to terminate or suspend any transportation project contract, and any transportation project contract shall be so terminated or suspended if funds will not be available for payment of the work to be performed during that fiscal year pursuant to the contract. In the event of termination of any contract, the contractor shall be given a written notice of termination at least 60 days before completion of scheduled work for which funds are available. In the event of termination, the contractor shall be paid for the work already performed in accordance with the contract specifications.”

Payment will be made on any contract terminated pursuant to the special provision in accordance with Article 108-13(E), of the *North Carolina Department of Transportation Standard Specifications for Roads and Structures*, dated January 2018 and as amended by the Standard Special Provision, Division One found elsewhere in this RFP.

**\*\*\* STANDARD SPECIAL PROVISIONS \*\*\*****NCDOT GENERAL SEED SPECIFICATIONS FOR SEED QUALITY**

(5-7-11)

Z-3

Seed shall be sampled and tested by the North Carolina Department of Agriculture and Consumer Services, Seed Testing Laboratory. When said samples are collected, the vendor shall supply an independent laboratory report for each lot to be tested. Results from seed so sampled shall be final. Seed not meeting the specifications shall be rejected by the Department of Transportation and shall not be delivered to North Carolina Department of Transportation warehouses. If seed has been delivered it shall be available for pickup and replacement at the supplier's expense.

Any re-labeling required by the North Carolina Department of Agriculture and Consumer Services, Seed Testing Laboratory, that would cause the label to reflect as otherwise specified herein shall be rejected by the North Carolina Department of Transportation.

Seed shall be free from seeds of the noxious weeds Johnsongrass, Balloonvine, Jimsonweed, Witchweed, Itchgrass, Serrated Tussock, Showy Crotalaria, Smooth Crotalaria, Sicklepod, Sandbur, Wild Onion, and Wild Garlic. Seed shall not be labeled with the above weed species on the seed analysis label. Tolerances as applied by the Association of Official Seed Analysts will NOT be allowed for the above noxious weeds except for Wild Onion and Wild Garlic.

Tolerances established by the Association of Official Seed Analysts will generally be recognized. However, for the purpose of figuring pure live seed, the found pure seed and found germination percentages as reported by the North Carolina Department of Agriculture and Consumer Services, Seed Testing Laboratory will be used. Allowances, as established by the NCDOT, will be recognized for minimum pure live seed as listed on the following pages.

The specifications for restricted noxious weed seed refers to the number per pound as follows:

<b>Restricted Noxious Weed</b>	<b>Limitations per Lb. of Seed</b>	<b>Restricted Noxious Weed</b>	<b>Limitations per Lb. of Seed</b>
Blessed Thistle	4 seeds	Cornflower (Ragged Robin)	27 seeds
Cocklebur	4 seeds	Texas Panicum	27 seeds
Spurred Anoda	4 seeds	Bracted Plantain	54 seeds
Velvetleaf	4 seeds	Buckhorn Plantain	54 seeds
Morning-glory	8 seeds	Broadleaf Dock	54 seeds
Corn Cockle	10 seeds	Curly Dock	54 seeds
Wild Radish	12 seeds	Dodder	54 seeds
Purple Nutsedge	27 seeds	Giant Foxtail	54 seeds
Yellow Nutsedge	27 seeds	Horsenettle	54 seeds
Canada Thistle	27 seeds	Quackgrass	54 seeds
Field Bindweed	27 seeds	Wild Mustard	54 seeds
Hedge Bindweed	27 seeds		

Seed of Pensacola Bahiagrass shall not contain more than 7% inert matter, Kentucky Bluegrass, Centipede and Fine or Hard Fescue shall not contain more than 5% inert matter whereas a maximum of 2% inert matter will be allowed on all other kinds of seed. In addition, all seed shall not contain more than 2% other crop seed nor more than 1% total weed seed. The germination rate as tested by the North Carolina Department of Agriculture shall not fall below 70%, which includes both dormant and hard seed. Seed shall be labeled with not more than 7%, 5% or 2% inert matter (according to above specifications), 2% other crop seed and 1% total weed seed.

Exceptions may be made for minimum pure live seed allowances when cases of seed variety shortages are verified. Pure live seed percentages will be applied in a verified shortage situation. Those purchase orders of deficient seed lots will be credited with the percentage that the seed is deficient.

**FURTHER SPECIFICATIONS FOR EACH SEED GROUP ARE GIVEN BELOW:**

Minimum 85% pure live seed; maximum 1% total weed seed; maximum 2% total other crop seed; maximum 144 restricted noxious weed seed per pound. Seed less than 83% pure live seed will not be approved.

Sericea Lespedeza  
Oats (seeds)

Minimum 80% pure live seed; maximum 1% total weed seed; maximum 2% total other crop; maximum 144 restricted noxious weed seed per pound. Seed less than 78% pure live seed will not be approved.

Tall Fescue (all approved varieties)	Bermudagrass
Kobe Lespedeza	Browntop Millet
Korean Lespedeza	German Millet - Strain R
Weeping Lovegrass	Clover – Red / White / Crimson
Carpetgrass	

Minimum 78% pure live seed; maximum 1% total weed seed; maximum 2% total other crop seed; maximum 144 restricted noxious weed seed per pound. Seed less than 76% pure live seed will not be approved.

Common or Sweet Sundangrass

Minimum 76% pure live seed; maximum 1% total weed seed; maximum 2% total other crop seed; maximum 144 restricted noxious weed seed per pound. Seed less than 74% pure live seed will not be approved.

Rye (grain; all varieties)  
Kentucky Bluegrass (all approved varieties)  
Hard Fescue (all approved varieties)  
Shrub (bicolor) Lespedeza

Minimum 70% pure live seed; maximum 1% total weed seed; maximum 2% total other crop seed; maximum 144 noxious weed seed per pound. Seed less than 70% pure live seed will not be approved.

Centipedegrass	Japanese Millet
Crownvetch	Reed Canary Grass
Pensacola Bahiagrass	Zoysia
Creeping Red Fescue	

Minimum 70% pure live seed; maximum 1% total weed seed; maximum 2% total other crop seed; maximum 5% inert matter; maximum 144 restricted noxious weed seed per pound.

Barnyard Grass  
Big Bluestem  
Little Bluestem  
Bristly Locust  
Birdsfoot Trefoil  
Indiangrass  
Orchardgrass  
Switchgrass  
Yellow Blossom Sweet Clover

**TITLE VI AND NONDISCRIMINATION**

(6-28-77)(Rev 5/2/18)

Z-6

Revise the 2018 *Standard Specifications for Roads and Structures* as follows:

Replace Article 103-4(B) with the following:

The North Carolina Department of Transportation is committed to carrying out the U.S. Department of Transportation's policy of ensuring nondiscrimination in the award and administration of contracts.

The provisions of this section related to United States Department of Transportation (US DOT) Order 1050.2A, Title 49 Code of Federal Regulations (CFR) part 21, 23 United States Code (U.S.C.) 140 and 23 CFR part 200 (or 49 CFR 303, 49 U.S.C. 5332 or 49 U.S.C. 47123) are applicable to all North Carolina Department of Transportation (NCDOT) contracts and to all related subcontracts, material supply, engineering, architectural and other service contracts, regardless of dollar amount. Any Federal provision that is specifically required not specifically set forth is hereby incorporated by reference.

(1) **Title VI Assurances (USDOT Order 1050.2A, Appendix A)**

During the performance of this contract, the contractor, for itself, its assignees, and successors in interest (hereinafter referred to as the "contractor") agrees as follows:

(a) **Compliance with Regulations**

The contractor (hereinafter includes consultants) shall comply with the Acts and the Regulations relative to Nondiscrimination in Federally-assisted programs of the U.S. Department of Transportation, Federal Highway Administration (FHWA), as they may be amended from time to time, which are herein incorporated by reference and made a part of this contract.

(b) **Nondiscrimination**

The contractor, with regard to the work performed by it during the contract, shall not discriminate on the grounds of race, color, or national origin in the selection and retention of subcontractors, including procurements of materials and leases of equipment. The contractor shall not participate directly or indirectly in the discrimination prohibited by the Acts and the Regulations, including employment practices when the contract covers any activity, project, or program set forth in Appendix B of 49 CFR Part 21.

(c) **Solicitations for Subcontractors, Including Procurements of Materials and Equipment**

In all solicitations, either by competitive bidding, or negotiation made by the contractor for work to be performed under a subcontract, including procurements of materials, or leases of equipment, each potential subcontractor or supplier shall be notified by the contractor of the contractor's obligations under this contract and the Acts and the Regulations relative to Nondiscrimination on the grounds of race, color, or national origin.

(d) Information and Reports

The contractor shall provide all information and reports required by the Acts, the Regulations, and directives issued pursuant thereto and shall permit access to its books, records, accounts, other sources of information, and its facilities as may be determined by the Recipient or the FHWA to be pertinent to ascertain compliance with such Acts, Regulations, and instructions. Where any information required of a contractor is in the exclusive possession of another who fails or refuses to furnish the information, the contractor shall so certify to the Recipient or the FHWA, as appropriate, and shall set forth what efforts it has made to obtain the information.

(e) Sanctions for Noncompliance:

In the event of a contractor's noncompliance with the Nondiscrimination provisions of this contract, the Recipient will impose such contract sanctions as it and / or the FHWA may determine to be appropriate, including, but not limited to:

- (i) Withholding payments to the contractor under the contract until the contractor complies; and / or
- (ii) Cancelling, terminating, or suspending a contract, in whole or in part.

(f) Incorporation of Provisions

The contractor shall include the provisions of paragraphs one through six in every subcontract, including procurements of materials and leases of equipment, unless exempt by the Acts, the Regulations and directives issued pursuant thereto. The contractor shall take action with respect to any subcontract or procurement as the Recipient or the FHWA may direct as a means of enforcing such provisions including sanctions for noncompliance. Provided, that if the contractor becomes involved in, or is threatened with litigation by a subcontractor, or supplier because of such direction, the contractor may request the Recipient to enter into any litigation to protect the interests of the Recipient. In addition, the contractor may request the United States to enter into the litigation to protect the interests of the United States.

**(2) Title VI Nondiscrimination Program (23 CFR 200.5(p))**

The North Carolina Department of Transportation (NCDOT) has assured the USDOT that, as a condition to receiving federal financial assistance, NCDOT will comply with Title VI of the Civil Rights Act of 1964 and all requirements imposed by Title 49 CFR Part 21 and related nondiscrimination authorities to ensure that no person shall, on the ground of race, color, national origin, limited English proficiency, sex, age, or disability (including religion / creed or income-level, where applicable), be excluded from participation in, be denied the benefits of, or be subjected to discrimination under any programs, activities, or services conducted or funded by NCDOT. Contractors and other organizations under contract or agreement with NCDOT must also comply with Title VI and related authorities, therefore:

- (a) During the performance of this contract or agreement, contractors (e.g. subcontractors, consultants, vendors, prime contractors) shall be responsible for

complying with NCDOT's Title VI Program. Contractors are not required to prepare or submit Title VI Programs. To comply with this section, the prime contractor shall:

1. Post NCDOT's Notice of Nondiscrimination and the Contractor's own Equal Employment Opportunity (EEO) Policy in conspicuous locations accessible to all employees, applicants and subcontractors on the jobsite.
  2. Physically incorporate the required Title VI clauses into all subcontracts on federally-assisted and state-funded NCDOT projects, and ensure inclusion by subcontractors into all lower-tier subcontracts.
  3. Required Solicitation Language. The Contractor shall include the following notification in all solicitations for bids and requests for work or material, regardless of funding source:

“The North Carolina Department of Transportation, in accordance with the provisions of Title VI of the Civil Rights Act of 1964 (78 Stat. 252, 42 US.C. §§ 2000d to 2000d-4) and the Regulations, hereby notifies all bidders that it will affirmatively ensure that any contract entered into pursuant to this advertisement, disadvantaged business enterprises will be afforded full and fair opportunity to submit bids in response to this invitation and will not be discriminated against on the grounds of race, color, or national origin in consideration for an award. In accordance with other related nondiscrimination authorities, bidders and contractors will also not be discriminated against on the grounds of sex, age, disability, low-income level, creed / religion, or limited English proficiency in consideration for an award.”
  4. Physically incorporate the FHWA-1273, in its entirety, into all subcontracts and subsequent lower tier subcontracts on Federal-aid highway construction contracts only.
  5. Provide language assistance services (i.e., written translation and oral interpretation), free of charge, to LEP employees and applicants. Contact NCDOT OCR for further assistance, if needed.
  6. For assistance with these Title VI requirements, contact the NCDOT Title VI Nondiscrimination Program at 1-800-522-0453.
- (b) Subrecipients (e.g. cities, counties, LGAs, planning organizations) may be required to prepare and submit a Title VI Plan to NCDOT, including Title VI Assurances and / or agreements. Subrecipients must also ensure compliance by their contractors and subrecipients with Title VI. (23 CFR 200.9(b)(7))
- (c) If reviewed or investigated by NCDOT, the contractor or subrecipient agrees to take affirmative action to correct any deficiencies found within a reasonable time period, not to exceed 90 calendar days, unless additional time is granted by NCDOT. (23 CFR 200.9(b)(15))

(d) The Contractor shall be responsible for notifying subcontractors of NCDOT's External Discrimination Complaints Process.

1. Applicability

Title VI and related laws protect participants and beneficiaries (e.g., members of the public and contractors) from discrimination by NCDOT employees, subrecipients and contractors, regardless of funding source.

2. Eligibility

Any person, or class of persons, who believes he / she has been subjected to discrimination based on race, color, national origin, Limited English Proficiency (LEP), sex, age, or disability (and religion in the context of employment, aviation, or transit) may file a written complaint. The law also prohibits intimidation or retaliation of any sort.

3. Time Limits and Filing Options

Complaints may be filed by the affected individual(s) or a representative and must be filed no later than 180 calendar days after the following:

- (i) The date of the alleged act of discrimination; or
- (ii) The date when the person(s) became aware of the alleged discrimination; or
- (iii) Where there has been a continuing course of conduct, the date on which that conduct was discontinued or the latest instance of the conduct.

Title VI and related discrimination complaints may be submitted to the following entities:

- North Carolina Department of Transportation, Office of Civil Rights, Title VI Program, 1511 Mail Service Center, Raleigh, NC 27699-1511; toll free 1-800-522-0453
- Federal Highway Administration, North Carolina Division Office, 310 New Bern Avenue, Suite 410, Raleigh, NC 27601; 919-747-7010
- US Department of Transportation, Departmental Office of Civil Rights, External Civil Rights Programs Division, 1200 New Jersey Avenue, SE, Washington, DC 20590; 202-366-4070

4. Format for Complaints

Complaints must be in writing and signed by the complainant(s) or a representative, and include the complainant's name, address, and telephone number. Complaints received by fax or e-mail will be acknowledged and processed. Allegations received by telephone will be reduced to writing and provided to the complainant for confirmation or revision before processing. Complaints will be accepted in other languages, including Braille.



5. Discrimination Complaint Form

Contact NCDOT Civil Rights to receive a full copy of the Discrimination Complaint Form and procedures.

6. Complaint Basis

Allegations must be based on issues involving race, color, national origin (LEP), sex, age, disability, or religion (in the context of employment, aviation or transit). “Basis” refers to the complainant’s membership in a protected group category.

**TABLE 103-1  
COMPLAINT BASIS**

Protected Categories	Definition	Examples	Applicable Nondiscrimination Authorities
Race and Ethnicity	An individual belonging to one of the accepted racial groups; or the perception, based usually on physical characteristics that a person is a member of a racial group	Black / African American, Hispanic / Latino, Asian, American Indian / Alaska Native, Native Hawaiian / Pacific Islander, White	Title VI of the Civil Rights Act of 1964; 49 CFR Part 21; 23 CFR 200; 49 U.S.C. 5332(b); 49 U.S.C. 47123. <i>(Executive Order 13166)</i>
Color	Color of skin, including shade of skin within a racial group	Black, White, Brown, Yellow, etc.	
National Origin ( <i>Limited English Proficiency</i> )	Place of birth. Citizenship is not a factor. ( <i>Discrimination based on language or a person's accent is also covered</i> )	Mexican, Cuban, Japanese, Vietnamese, Chinese	
Sex	Gender. The sex of an individual. <i>Note: Sex under this program does not include sexual orientation.</i>	Women and Men	1973 Federal-Aid Highway Act; 49 U.S.C. 5332(b); 49 U.S.C. 47123.
Age	Persons of any age	21-year-old person	Age Discrimination Act of 1975 49 U.S.C. 5332(b); 49 U.S.C. 47123.
Disability	Physical or mental impairment, permanent or temporary, or perceived.	Blind, alcoholic, para-amputee, epileptic, diabetic, arthritic	Section 504 of the Rehabilitation Act of 1973; Americans with Disabilities Act of 1990
Religion (in the context of employment) ( <i>Religion / Creed in all aspects of any aviation or transit-related construction</i> )	An individual belonging to a religious group; or the perception, based on distinguishable characteristics that a person is a member of a religious group. In practice, actions taken as a result of the moral and ethical beliefs as to what is right and wrong, which are sincerely held with the strength of traditional religious views. <i>Note:</i> Does not have to be associated with a recognized religious group or church; if an individual sincerely holds to the belief, it is a protected religious practice.	Muslim, Christian, Sikh, Hindu, etc.	Title VII of the Civil Rights Act of 1964; 23 CFR 230; FHWA-1273 Required Contract Provisions. (49 U.S.C. 5332(b); 49 U.S.C. 47123)

**(3) Pertinent Nondiscrimination Authorities**

During the performance of this contract, the contractor, for itself, its assignees, and successors in interest agrees to comply with the following non-discrimination statutes and authorities, including, but not limited to:

- Title VI of the Civil Rights Act of 1964 (42 U.S.C. § 2000d et seq., 78 stat. 252), (prohibits discrimination on the basis of race, color, national origin); and 49 CFR Part 21
- The Uniform Relocation Assistance and Real Property Acquisition Policies Act of 1970, (42 U.S.C. § 4601), (prohibits unfair treatment of persons displaced or whose property has been acquired because of Federal or Federal-aid programs and projects)
- Federal-Aid Highway Act of 1973, (23 U.S.C. § 324 et seq.), (prohibits discrimination on the basis of sex)
- Section 504 of the Rehabilitation Act of 1973, (29 U.S.C. § 794 et seq.), as amended, (prohibits discrimination on the basis of disability) and 49 CFR Part 27
- The Age Discrimination Act of 1975, as amended, (42 U.S.C. § 6101 et seq.), (prohibits discrimination on the basis of age)
- Airport and Airway Improvement Act of 1982, (49 USC § 471, Section 47123), as amended, (prohibits discrimination based on race, creed, color, national origin, or sex)
- (g) The Civil Rights Restoration Act of 1987, (PL 100-209), (Broadened the scope, coverage and applicability of Title VI of the Civil Rights Act of 1964, The Age Discrimination Act of 1975 and Section 504 of the Rehabilitation Act of 1973, by expanding the definition of the terms "programs or activities" to include all of the programs or activities of the Federal-aid recipients, sub-recipients and contractors, whether such programs or activities are Federally funded or not)
- (h) Titles II and III of the Americans with Disabilities Act, which prohibit discrimination on the basis of disability in the operation of public entities, public and private transportation systems, places of public accommodation, and certain testing entities (42 U.S.C. §§ 12131-12189) as implemented by Department of Transportation regulations at 49 C.F.R. parts 37 and 38
- (i) The Federal Aviation Administration's Nondiscrimination statute (49 U.S.C. § 47123) (prohibits discrimination on the basis of race, color, national origin, and sex)
- (j) Executive Order 12898, Federal Actions to Address Environmental Justice in Minority Populations and Low-Income Populations, which ensures Nondiscrimination against minority populations by discouraging programs, policies, and activities with disproportionately high and adverse human health or environmental effects on minority and low-income populations

- (k) Executive Order 13166, Improving Access to Services for Persons with Limited English Proficiency, and resulting agency guidance, national origin discrimination includes discrimination because of Limited English Proficiency (LEP). To ensure compliance with Title VI, you must take reasonable steps to ensure that LEP persons have meaningful access to your programs (70 Fed. Reg. at 74087 to 74100)
- (l) Title IX of the Education Amendments of 1972, as amended, which prohibits you from discriminating because of sex in education programs or activities (20 U.S.C. 1681 et seq)
- (m) Title VII of the Civil Rights Act of 1964 (42 U.S.C. § 2000e et seq., Pub. L. 88-352), (prohibits employment discrimination on the basis of race, color, religion, sex, or national origin).

**(4) Additional Title VI Assurances**

*\*\*The following Title VI Assurances (Appendices B, C and D) shall apply, as applicable*

**(a) Clauses for Deeds Transferring United States Property (1050.2A, Appendix B)**

The following clauses shall be included in deeds effecting or recording the transfer of real property, structures, or improvements thereon, or granting interest therein from the United States pursuant to the provisions of Assurance 4.

NOW, THEREFORE, the U.S. Department of Transportation as authorized by law and upon the condition that the North Carolina Department of Transportation (NCDOT) will accept title to the lands and maintain the project constructed thereon in accordance with the North Carolina General Assembly, the Regulations for the Administration of the Federal-Aid Highway Program, and the policies and procedures prescribed by the Federal Highway Administration of the U.S. Department of Transportation in accordance and in compliance with all requirements imposed by Title 49, Code of Federal Regulations, U.S. Department of Transportation, Subtitle A, Office of the Secretary, Part 21, Nondiscrimination in Federally-assisted programs of the U.S Department of Transportation pertaining to and effectuating the provisions of Title VI of the Civil Rights Act of 1964 (78 Stat. 252; 42 U.S.C. § 2000d to 2000d-4), does hereby remise, release, quitclaim and convey unto the NCDOT all the right, title and interest of the U.S. Department of Transportation in and to said lands described in Exhibit A attached hereto and made a part hereof.

**(HABENDUM CLAUSE)**

TO HAVE AND TO HOLD said lands and interests therein unto the North Carolina Department of Transportation (NCDOT) and its successors forever, subject, however, to the covenants, conditions, restrictions and reservations herein contained as follows, which will remain in effect for the period during which the real property or structures are used for a purpose for which Federal financial assistance is extended or for another purpose involving the provision of similar services or benefits and will be binding on the NCDOT, its successors and assigns.

The NCDOT, in consideration of the conveyance of said lands and interests in lands, does hereby covenant and agree as a covenant running with the land for itself, its successors and assigns, that (1) no person will on the grounds of race, color, or national origin, be excluded from participation in, be denied the benefits of, or be otherwise subjected to discrimination with regard to any facility located wholly or in part on, over, or under such lands hereby conveyed [,] [and]\* (2) that the NCDOT will use the lands and interests in lands and interests in lands so conveyed, in compliance with all requirements imposed by or pursuant to Title 49, Code of Federal Regulations, U.S. Department of Transportation, Subtitle A, Office of the Secretary, Part 21, Non-discrimination in Federally-assisted programs of the U.S. Department of Transportation, Effectuation of Title VI of the Civil Rights Act of 1964, and as said Regulations and Acts may be amended [, and (3) that in the event of breach of any of the above-mentioned nondiscrimination conditions, the Department will have a right to enter or re-enter said lands and facilities on said land, and that above described land and facilities will thereon revert to and vest in and become the absolute property of the U.S. Department of Transportation and its assigns as such interest existed prior to this instruction].\*

(\*Reverter clause and related language to be used only when it is determined that such a clause is necessary in order to make clear the purpose of Title VI.)

(b) Clauses for Transfer of Real Property Acquired or Improved Under the Activity, Facility, or Program (1050.2A, Appendix C)

The following clauses shall be included in deeds, licenses, leases, permits, or similar instruments entered into by the North Carolina Department of Transportation (NCDOT) pursuant to the provisions of Assurance 7(a):

1. The (grantee, lessee, permittee, etc. as appropriate) for himself / herself, his / her heirs, personal representatives, successors in interest, and assigns, as a part of the consideration hereof, does hereby covenant and agree [in the case of deeds and leases add "as a covenant running with the land"] that:
  - (i.) In the event facilities are constructed, maintained, or otherwise operated on the property described in this (deed, license, lease, permit, etc.) for a purpose for which a U.S. Department of Transportation activity, facility, or program is extended or for another purpose involving the provision of similar services or benefits, the (grantee, licensee, lessee, permittee, etc.) will maintain and operate such facilities and services in compliance with all requirements imposed by the Acts and Regulations (as may be amended) such that no person on the grounds of race, color, or national origin, will be excluded from participation in, denied the benefits of, or be otherwise subjected to discrimination in the use of said facilities.

2. With respect to licenses, leases, permits, etc., in the event of breach of any of the above Nondiscrimination covenants, the NCDOT will have the right to terminate the (lease, license, permit, etc.) and to enter, re-enter, and repossess said lands and facilities thereon, and hold the same as if the (lease, license, permit, etc.) had never been made or issued. \*
3. With respect to a deed, in the event of breach of any of the above Nondiscrimination covenants, the NCDOT will have the right to enter or re-enter the lands and facilities thereon, and the above described lands and facilities will there upon revert to and vest in and become the absolute property of the NCDOT and its assigns. \*

(\*Reverter clause and related language to be used only when it is determined that such a clause is necessary to make clear the purpose of Title VI.)

(c) Clauses for Construction / Use / Access to Real Property Acquired Under the Activity, Facility or Program (1050.2A, Appendix D)

The following clauses shall be included in deeds, licenses, permits, or similar instruments / agreements entered into by the North Carolina Department of Transportation (NCDOT) pursuant to the provisions of Assurance 7(b):

1. The (grantee, licensee, permittee, etc., as appropriate) for himself / herself, his / her heirs, personal representatives, successors in interest, and assigns, as a part of the consideration hereof, does hereby covenant and agree (in the case of deeds and leases add, "as a covenant running with the land") that (1) no person on the ground of race, color, or national origin, will be excluded from participation in, denied the benefits of, or be otherwise subjected to discrimination in the use of said facilities, (2) that in the construction of any improvements on, over, or under such land, and the furnishing of services thereon, no person on the ground of race, color, or national origin, will be excluded from participation in, denied the benefits of, or otherwise be subjected to discrimination, (3) that the (grantee, licensee, lessee, permittee, etc.) will use the premises in compliance with all other requirements imposed by or pursuant to the Acts and Regulations, as amended, set forth in this Assurance.
2. With respect to (licenses, leases, permits, etc.), in the event of breach of any of the above Nondiscrimination covenants, the NCDOT will have the right to terminate the (license, permit, etc., as appropriate) and to enter or re-enter and repossess said land and the facilities thereon, and hold the same as if said (license, permit, etc., as appropriate) had never been made or issued. \*
3. With respect to deeds, in the event of breach of any of the above Nondiscrimination covenants, the NCDOT will there upon revert to and vest in and become the absolute property of the NCDOT and its assigns. \*

(\*Reverter clause and related language to be used only when it is determined that such a clause is necessary to make clear the purpose of Title VI.)

**MINIMUM WAGES**

(07-21-09)

Z-5

**FEDERAL:** The Fair Labor Standards Act provides that with certain exceptions every employer must pay wages at the rate of not less than SEVEN DOLLARS AND TWENTY FIVE CENTS (\$7.25) per hour.

**STATE:** The North Carolina Minimum Wage Act provides that every employer shall pay to each of his employees wages at a rate of not less than SEVEN DOLLARS AND TWENTY FIVE CENTS (\$7.25) per hour.

The minimum wage paid to all skilled labor employed on this contract shall be SEVEN DOLLARS AND TWENTY FIVE CENTS (\$7.25) per hour.

The minimum wage paid to all intermediate labor employed on this contract shall be SEVEN DOLLARS AND TWENTY FIVE CENTS (\$7.25) per hour.

The minimum wage paid to all unskilled labor on this contract shall be SEVEN DOLLARS AND TWENTY FIVE CENTS (\$7.25) per hour.

The determination of the intent of the application of these Acts to the project's contract shall be the Design-Build Team's responsibility.

The Design-Build Team shall have no claim against the Department of Transportation for any changes in the minimum wage laws, State or Federal. It is the responsibility of the Design-Build Team to be fully informed of all Federal and State Laws affecting the project's contract.

**\*\*\* STANDARD SPECIAL PROVISIONS \*\*\***

(10-23-17)

**DIVISION ONE OF STANDARD SPECIFICATIONS**

**Division One of the 2018 NCDOT *Standard Specifications for Roads and Structures (Standard Specifications)* shall apply except as follows:**

**Definitions:** Throughout Division One of the 2018 *Standard Specifications*, the term “Contractor” is replaced with “Design-Build Team”, the term “Bidder” is replaced with “Proposer,” the term “Bid” is replaced by “Price Proposal,” and the phrase “lowest Responsible Bidder” is replaced with “responsible Proposer with the lowest adjusted price.” The replacement of “Contractor” with “Design-Build Team” does not apply to Article 102-2. The replacement of the above terms also does not apply when the terms are part of a phrase (e.g. bid bond, prime contractor, total amount bid, etc.)

**Deletions:** Articles 102-3(B), 102-4, 102-8(B), 102-9(C)(2), 103-2(B), and 103-4(C) of the 2018 *Standard Specifications for Roads and Structures* are deleted from Design-Build Contracts.

**Modifications:** The remainder of this Standard Special Provision includes modifications to Division One of the 2018 *Standard Specifications for Roads and Structures*.

## **SECTION 101 DEFINITION OF TERMS**

**Page 1-3, Article 101-3, replace and add certain definitions as follows:**

### **ADDITIONAL WORK**

Additional work is that which results from a change or alteration to the contract and for which there are contract unit prices in the original contract or an executed supplemental agreement.

### **ADVERTISEMENT**

The public advertisement inviting Statements of Qualifications for the design and construction of specific projects.

### **AWARD**

The decision of the Department of Transportation to accept the proposal of the selected Design-Build Team for work which is subject to the furnishing of payment and performance bonds, and such other conditions as may be otherwise provided by law, the Request for Proposals, and the 2018 *Standard Specifications for Roads and Structures*.

### **CONTRACT**

The executed agreement between the Department and the successful proposer, covering the performance of, and compensation for, the work. The term contract is all inclusive with reference to all written agreements affecting a contractual relationship and all documents referred to therein. The contract shall include, but not be limited to, the Request for Proposals, the Technical Proposal, the Price Proposal, the printed contract form and attachments, contract bonds, plans



and associated special provisions prepared by the Design-Build Team, standard specifications and supplemental specifications, standard special provisions and project special provisions contained in the Request for Proposals or as developed by the Design-Build Team and accepted by the Department, and all executed supplemental agreements. The contract shall constitute one instrument.

#### **DATE OF AVAILABILITY**

That date, established as set forth in the Request for Proposals, by which it is anticipated that the Contract will be executed and sufficient design efforts or work sites within the project limits will be available for the Design-Build Team to begin his controlling operations or design.

#### **DESIGN-BUILD**

A form of contracting in which the successful proposer undertakes responsibility for both the design and construction of a project.

#### **DESIGN-BUILD TEAM**

An individual, partnership, joint venture, corporation or other legal entity that furnishes the necessary design and construction services, whether by itself or through subcontracts.

#### **DESIGN-BUILD PROPOSAL**

A proposal to contract consisting of a separately sealed Technical Proposal and a separately sealed Price Proposal submitted in response to a Request for Proposals on a Design-Build project.

#### **PLANS**

The project plans, Standard Drawings, working drawings and supplemental drawings, or reproductions thereof, accepted by the Engineer, which show the location, character, dimensions and details of the work to be performed. Unless otherwise noted within the Request for Proposals, the term "plans" refers to plans as developed by the Design-Build Team and accepted by the Department.

(A) Standard Drawings:

Drawings approved for repetitive use, showing details to be used where appropriate. All Standard Drawings approved by the Department plus subsequent revisions and additions. Standard Drawings are available for purchase from:

State Contract Officer  
1591 Mail Service Center  
Raleigh, NC 27699-1591

(B) Preliminary Plans:

Department-furnished drawings distributed in concert with a Request for Proposals, or as developed by the Design-Build Team.

(C) Project Plans:

Construction drawings prepared, sealed and completed by the Design-Build Team, or as provided by the Department, that contain specific details and dimensions peculiar to the work.

(D) Working Drawings and Supplemental Drawings:

Supplemental design sheets, shop drawings, or similar data which the Design-Build Team is required to submit to the Engineer.

(E) As-Constructed Drawings:

Red-lined mark-up of the latest Released for Construction (RFC) Plans containing the information listed under As-Constructed Plans in the Records and Reports Section of the NCDOT Construction Manual.

(F) As-Built Plans:

Coordinately correct plans documenting the details, dimensions and locations of the completed work.

### **PRICE PROPOSAL**

The offer of a Proposer, submitted on the prescribed forms, to perform the work and furnish the labor and materials at the price quoted.

### **PROPOSAL (OR REQUEST FOR PROPOSALS)**

The paper document provided by the Department that the proposer uses to develop his paper offer to perform the work at designated bid prices.

### **PROPOSER**

An individual, partnership, firm, corporation, LLC, or joint venture formally submitting a Technical Proposal and Price Proposal in response to a Request for Proposals.

### **RIGHT OF WAY**

The land area shown on the plans as right of way within which the project is to be constructed.

### **SCHEDULE OF VALUES**

A schedule of work items necessary to complete work, along with the progress of each work item, primarily for the purpose of partial payments.

### **TABLE OF QUANTITIES**

A listing of work items (corresponding to the items in the Trns\*port pay item list) that contributes to a project completion. The table shall include estimated quantities for each work item.

## **TECHNICAL PROPOSAL**

A submittal from a proposer, in accordance with requirements of the Request for Proposals, for the purpose of final selection. The Technical Proposal is defined to also include any supplemental information requested by the Department from a proposer prior to opening bids.

## **SECTION 102 PROPOSAL REQUIREMENTS AND CONDITIONS**

**Page 1-9, delete Article 102-1 and replace with the following:**

### **102-1 INVITATION TO BID**

After the advertisement has been made, an Invitation to Bid will be made available to known prequalified contractors and any other contracting firms, material suppliers and other interested parties who have requested they be placed on the Invitation to Bid mailing list, informing them that Statements of Qualifications and Proposals will be received for the construction of specific projects. Such invitation will indicate the contract identification number, length, locations and descriptions; a general summary of the scope of work to be performed; and information on how to receive a Request for Qualifications.

All projects will be advertised in daily newspapers throughout the state before the bid opening.

**Page 1-12, delete Article 102-3 and replace with the following:**

### **102-3 CONTENTS OF REQUEST FOR PROPOSALS**

A Request for Proposals will be furnished by the Department to the selected proposers from among the respondents to the Request for Qualifications. Each Request for Proposals will be marked on the front cover by the Department with an identifier of the Proposer to whom it is being furnished. This Request for Proposals will state the location of the project and will show a schedule of contract items for which Technical and Price Proposals are invited. It will set forth the date and time Technical and Price Proposals are to be submitted and when the Price Proposals will be opened. The Request for Proposals will also include special provisions or requirements that vary from or are not contained in any preliminary design information or standard specifications.

The Request for Proposals will also include the printed contract forms and signature sheets for execution by both parties to the contract. In the event the Proposer is awarded the contract, execution of the Request for Proposals by the Proposer is considered the same as execution of the contract.

Standard specifications, sealed plans specifically identified as the Department's responsibility and other documents designated in the Request for Proposals shall be considered a part of the Request for Proposals whether or not they are attached thereto. All papers bound with the proposal are necessary parts thereof and shall not be detached, taken apart, or altered.

The names and identity of each prospective Proposer that receives a copy of the Request for Qualifications for the purposes of submitting a Statement of Qualifications shall be made public,

except that a potential Proposer who obtains a Request for Qualifications may, at the time of ordering, request that his name remain confidential.

One copy of the Final Request for Proposals will be furnished to each prospective Proposer. Additional copies may be purchased for the sum of \$25 each. The copy of the Final Request for Proposals marked with the Proposer's name and prequalification number shall be returned to the Department as the Proposer's Price Proposal.

**Page 1-14, Article 102-7, 4<sup>th</sup> paragraph, delete the first two sentences and replace with the following:**

Details shown in the subsurface investigation report are preliminary only. The subsurface investigation and subsurface report, if provided, is done so for information purposes only.

**Pages 1-14, delete Article 102-8 and replace with the following:**

#### **102-8 PREPARATION AND SUBMISSION OF BIDS**

All Price Proposals shall be prepared and submitted in accordance with the following requirements:

1. The Request for Proposals provided by the Department shall be used and shall not be taken apart or altered. The Price Proposal shall be submitted on the same form, which has been furnished to the Proposer by the Department as identified by the Proposer's name marked on the front cover by the Department.
2. All entries including signatures shall be written in ink.
3. The Proposer shall submit a lump sum or unit price for every item in the Price Proposal. The lump sum or unit prices bid for the various contract items shall be written in figures.
4. An amount bid shall be entered in the Request for Proposals for every item and the price shall be written in figures in the "Amount Bid" column in the Request for Proposals.
5. An amount bid shall be entered in the proposal for every item on which a unit price has been submitted. The amount bid for each item other than lump sum items shall be determined by multiplying each unit bid price by the quantity for that item and shall be written in figures in the Amount Bid column in the proposal.
6. The total amount bid shall be written in figures in the proper place in the Request for Proposals. The total amount bid shall be determined by adding the amounts bid for each lump sum item.
7. Changes in any entry shall be made by marking through the entry in ink and making the correct entry adjacent thereto in ink. A representative of the Proposer shall initial the change in ink.
8. The Price Proposal shall be properly executed. To constitute proper execution, the Price Proposal shall be executed in strict compliance with the following:
  - a. If a Price Proposal is by an individual, it shall show the name of the individual and shall be signed by the individual with the word "Individually" appearing under the

- signature. If the individual operates under a firm name, the bid shall be signed in the name of the individual doing business under the firm name.
- b. If the Price Proposal is by a corporation, it shall be executed in the name of the corporation by the President, Vice President, or Assistant Vice President. It shall be attested by the Secretary or Assistant Secretary. The seal of the corporation shall be affixed. If the Price Proposal is executed on behalf of a corporation in any other manner than as above, a certified copy of the minutes of the Board of Directors of said corporation authorizing the manner and style of execution and the authority of the person executing shall be attached to the Price Proposal or shall be on file with the Department.
  - c. If the Price Proposal is made by a partnership, it shall be executed in the name of the partnership by one of the general partners.
  - d. If the Price Proposal is made by a limited liability company, it shall be signed by the manager, member, or authorized agent.
  - e. If the Price Proposal is made by a joint venture, it shall be executed by each of the joint venturers in the appropriate manner set out above. In addition, the execution by the joint venturers shall appear below their names.
9. The Price Proposal shall not contain any unauthorized additions, deletions, or conditional bids.
  10. The Proposer shall not add any provision reserving the right to accept or reject an award or to enter into a contract pursuant to an award.
  11. The Price Proposal shall be accompanied by a bid bond on the form furnished by the Department or by a bid deposit. The bid bond shall be completely and properly executed in accordance with the requirements of Article 102-10 and as modified herein. The bid deposit shall be a certified check or cashier check in accordance with Article 102-10 and as modified herein.
  12. The Price Proposal shall be placed in a sealed envelope and shall have been delivered to and received by the Department prior to the time specified in the Request for Proposals.

**Page 1-17, Article 102-10, 3<sup>rd</sup> paragraph, delete the fifth sentence and replace with the following:**

The condition of the bid bond or bid deposit is: the Principal shall not withdraw its bid within 75 days after the submittal of the same, and if the Department shall award a contract to the Principal, the Principal shall within 14 calendar days after the notice of award is received by him, give payment and performance bonds with good and sufficient surety as required for the faithful performance of the contract and for the protection of all persons supplying labor and materials in the prosecution of the work.

**Page 1-18, Article 102-10, delete the end of the Article beginning with, and inclusive of, the 6<sup>th</sup> paragraph.**

**Pages 1-18, delete Article 102-12 and replace with the following:**

**102-12 WITHDRAWAL OR REVISION OF BIDS**

A Design-Build Team will not be permitted to withdraw its Technical and Price Proposals after they have been submitted to the Department, unless allowed under Article 103-3 or unless otherwise approved by the Chief Engineer.

**Page 1-19, delete Article 102-13 and replace with the following:**

**102-13 RECEIPT AND OPENING OF BIDS**

Price Proposals from shortlisted Proposers will be opened and read publicly on the date and time indicated in the Request for Proposals. The Technical Scores of the previously conducted evaluation of the Technical Proposals will also be read publicly in accordance with the procedures outlined in the Request for Proposals. Proposers, their authorized agents, and other interested parties are invited to be present.

**Page 1-19, Article 102-14, replace the 1<sup>st</sup> paragraph with the following:**

**102-14 REJECTION OF BIDS**

Any Price Proposal submitted which fails to comply with any of the requirements of Articles 102-8, 102-9 or 102-10, or with the requirements of the project scope and specifications shall be considered irregular and may be rejected. A Price Proposal that does not contain costs for all proposal items shall be considered irregular and may be rejected.

**SECTION 103  
AWARD AND EXECUTION OF CONTRACT**

**Page 1-21, delete Article 103-1 and replace with the following:**

**103-1 CONSIDERATION OF PRICE PROPOSALS**

After the Price Proposals are opened and read, they will be tabulated. The Price Proposal and Technical Score of the Technical Proposal will be made available in accordance with procedures outlined in the Request for Proposals. In the event of errors, omissions, or discrepancies in the Price Proposal, corrections to the Price Proposal will be made in accordance with the provisions of Article 103-2. Such corrected bid prices will be used to determine the lowest adjusted price.

After the reading of the Price Proposals and Technical Scores, the Department will calculate the lowest adjusted price as described in the Request for Proposals.

The right is reserved to reject any or all Price Proposals, to waive technicalities, to request the Proposer with the lowest adjusted price to submit an up-to-date financial and operating statement, to advertise for new proposals, or to proceed to do the work otherwise, if in the judgment of the Department, the best interests of the State will be promoted thereby.

**Page 1-21, Subarticle 103-2(A), add items (6) and (7) as follows:**

- (6) **Discrepancy in the “Total Amount Bid” and the addition of the “Amount Bid” for each line Item**

In the case of the Total Amount Bid does not equal the summation of each Amount Bid for the line items, the summation of each Amount Bid for the line items shall be deemed to be the correct Total Amount Bid for the entire project.

- (7) **Omitted Total Amount Bid –Amount Bid Completed**

If the Total Amount Bid is not completed and the Amount Bid for all line items is completed the Total Amount Bid shall be the summation of the Amount Bid for all line items.

**Page 1-23, Subarticle 103-4(A), first paragraph, replace the 3<sup>rd</sup> and 4<sup>th</sup> sentences with the following:**

Where award is to be made, the notice of award will be issued within 75 days after the submittal of Price Proposals, except with the consent of the responsible Proposer with the lowest adjusted price the decision to award the contract to such bidder may be delayed for as long a time as may be agreed upon by the Department and such Proposer. In the absence of such agreement, the Proposer may withdraw his Price Proposal at the expiration of the 75 days without penalty if no notice of award has been issued.

**Page 1-29, Article 103-6, delete the 1<sup>st</sup> and 2<sup>nd</sup> paragraphs and replace with the following:**

Checks that have been furnished as a bid deposit will be retained until after the contract bonds have been furnished by the successful proposer, at which time the checks that were furnished as a bid deposit will be returned.

## **SECTION 104 SCOPE OF WORK**

**Page 1-30, delete Article 104-1 and replace with the following:**

### **104-1 INTENT OF CONTRACT**

The intent of the contract is to prescribe the work or improvements that the Design-Build Team undertakes to perform, in full compliance with the contract documents. In case the method of construction or character of any part of the work is not covered by the contract, this section shall apply. The Design-Build Team shall perform all work in accordance with the contract or as may be modified by written orders, and shall do such additional, extra, and incidental work as may be considered necessary to complete the work to the full intent of the contract. Unless otherwise provided elsewhere in the contract, the Design-Build Team shall furnish all implements, machinery, equipment, tools, materials, supplies, transportation, and labor necessary for the design, prosecution and completion of the work.

**Page 1-30, Article 104-3, replace “plans or details of construction” with “contract” in all instances within this Article.**

**Page 1-39, Article 104-10, replace the first paragraph with the following:**

#### **104-10 MAINTENANCE OF THE PROJECT**

The Design-Build Team shall maintain the project from the date of beginning construction on the project until the project is finally accepted. For sections of facilities impacted by utility construction / relocation performed by the Design-Build Team prior to beginning construction on the roadway project, maintenance of the impacted sections of facilities shall be performed by the Design-Build Team beginning concurrently with the impact. All existing and constructed guardrail / guiderail within the project limits shall be included in this maintenance. This maintenance shall be continuous and effective and shall be prosecuted with adequate equipment and forces to the end that all work covered by the contract is kept in satisfactory and acceptable conditions at all times. The Design-Build Team shall perform weekly inspections of guardrail and guiderail and shall report damages to the Engineer on the same day of the weekly inspection. Where damaged guardrail or guiderail is repaired or replaced as a result of maintaining the project in accordance with this Article, such repair or replacement shall be performed within seven consecutive calendar days of such inspection report.

**Page 1-39, Article 104-10, add the following after the last paragraph:**

The Design-Build Team will not be compensated for performance of weekly inspections and damage reports for the guardrail / guiderail. Other maintenance activities for existing guardrail / guiderail will be handled in accordance with Articles 104-7 and 104-8.

### **SECTION 105 CONTROL OF WORK**

**Pages 1-44, delete Article 105-2 and replace with the following:**

#### **105-2 PLANS AND WORKING DRAWINGS**

All plans shall be supplemented by such approved working drawings as are necessary to adequately control the work. Working drawings furnished by the Design-Build Team and approved by the Engineer shall consist of such detailed drawings as may be required to adequately control the work. They may include stress sheets, shop drawings, erection drawings, falsework drawings, cofferdam drawings, bending diagrams for reinforcing steel, catalog cuts, or any other supplementary drawings or similar data required of the Design-Build Team. When working drawings are approved by the Engineer, such approval shall not operate to relieve the Design-Build Team of any of his responsibility under the contract for the successful completion of the work.

Changes on shop drawings after approval and/or distribution shall be subject to the approval of the Engineer and he shall be furnished a record of such changes.

**Page 1-45, Article 105-3, add the following after the 3<sup>rd</sup> paragraph:**

The Design-Build Team shall bear all the costs of providing the burden of proof that the nonconforming work is reasonable and adequately addresses the design purpose. The Design-



Build Team shall bear all risk for continuing with nonconforming work in question until it is accepted.

The Engineer may impose conditions for acceptance of the nonconforming work. The Design-Build Team shall bear all costs for fulfilling the conditions.

The decisions whether the product satisfies the design purpose, whether the nonconforming work is reasonably acceptable and the conditions for acceptance are at the sole discretion of the Engineer.

**Pages 1-45, delete Article 105-4 and replace with the following:**

**105-4           COORDINATION OF PLANS, SPECIFICATIONS, SUPPLEMENTAL SPECIFICATIONS, AND SPECIAL PROVISIONS**

The Request for Proposals, all construction Plans, the Standard Specifications, Supplemental Specifications and Special Provisions and all supplementary documents are essential parts of the contract and a requirement occurring in one is as binding as though occurring in all. They are complementary and describe and provide the complete contract.

In case of discrepancy or conflict, the order in which they govern shall be as follows:

- (A) Request for Proposals, in which Project Special Provisions govern Standard Special Provisions
- (B) Technical Proposal from the Design-Build Team
- (C) Accepted Plans and Details from the Design-Build Team, or sealed plans provided by the Department, as applicable
- (D) Standard Drawings
- (E) Standard Specifications

Where dimensions on the plans are given or can be computed from other given dimensions they shall govern over scaled dimensions.

The Design-Build Team shall take no advantage of any error or omission in the plans, estimated quantities, or specifications. In the event the Design-Build Team discovers an error or omission, he shall immediately notify the Engineer.

**Page 1-48, delete Article 105-9 and replace with the following:**

**105-9           CONSTRUCTION STAKES, LINES, AND GRADES**

The Design-Build Team shall be responsible for all surveying, construction staking and layout required in the performance of the work. The Design-Build Team will be responsible for the accuracy of lines, slopes, grades and other engineering work which the Design-Build Team provides under this contract.

**SECTION 106  
CONTROL OF MATERIAL**

**Page 1-53, Article 106-2, add the following after the second paragraph:**

Prior to beginning construction, the Design-Build Team shall provide a Table of Quantities as described in Article 101-3 of these specifications.

The Table of Quantities Work Items shall correspond to Pay Items as defined in the Standard Specifications. These Work Items have associated Materials and Conversion Factors. For non-standard Work Items, a Generic Work Item with the correct Unit of Measure and in an appropriate category will be used. For example, “GENERIC TRAFFIC CONTROL ITEM – EA” or “GENERIC RETAINING WALL ITEM – LF”. For these Generic Work Items, Materials must be defined and appropriate conversion factors submitted.

An initial Table of Quantities shall be submitted no later than 30 calendar days after the date of award. The Table of Quantities shall be updated and resubmitted within 14 days of when a set of Plans is sealed as Release for Construction (RFC) Plans, and whenever there are substantial changes to the Quantities on previously incorporated RFC Plans.

**Page 1-55, Article 106-6, add the following after the last paragraph:**

For items normally pretested by the Department, the Design-Build Team shall provide a minimum of 30 days notice prior to the beginning of production of the items for this project along with final approved shop drawings.

## **SECTION 107 LEGAL RELATIONS AND RESPONSIBILITY TO PUBLIC**

**Page 1-65, delete Article 107-18 and replace with the following:**

### **107-18 FURNISHING RIGHT OF WAY**

The responsibility for coordinating the securing of all necessary rights of way is as outlined in the Request for Proposals.

## **SECTION 108 PROSECUTION AND PROGRESS**

**Page 1-68, Article 108-2, replace the 2<sup>nd</sup> paragraph with the following:**

The Design-Build Team shall submit a Progress Schedule for review within thirty (30) calendar days of receiving Notice of Award. The Department will review the Progress Schedule within twenty-one (21) calendar days of receipt. The Design-Build Team shall make any necessary corrections and adjustments to the Progress Schedule as necessitated by the Department’s review within seven (7) calendar days. The Department will review the revised Progress Schedule within seven (7) calendar days of receipt.

**Page 1-68, Subarticle 108-2(A)(1), add the following:**

(k) Utility relocation and construction

**Page 1-69, Subarticle 108-2(A)(2), add the following:**

- (h) Critical design submittal dates
- (i) Critical permitting dates
- (j) Completion of right of way acquisition
- (k) Completion of utility relocation and construction

**Page 1-69, Article 108-2, add the following:**

- (D) The Design-Build Team shall provide a written narrative each month detailing the work and percentage of work completed, anticipated sequence of upcoming work (2 month forecast), controlling operation(s), intermediate completion dates, and milestones. If any milestones are exceeded or will not be achieved, the Design-Build Team shall provide in the written narrative details of the delay; controlling operation affected, impacts to other operations, revisions to future intermediate completion dates and milestones, and remedial action necessary to get the project back to the original completion date.

**Page 1-69, delete Article 108-3 and replace with the following:****108-3 PRECONSTRUCTION AND PRE-DESIGN CONFERENCES**

The selected Design-Build Team shall meet with the Engineer for a pre-design conference concerning the design phase of the work. This conference shall be held prior to the commencement of work, as it is determined according to Article 108-1, and will be scheduled by the Engineer. At the predesign conference, the Design-Build Team shall furnish authorized signature forms and a list of any proposed subcontractors associated with the design of the project.

A preconstruction conference shall be held at least ten working days before construction activity begins. This second conference, concerning the construction phase, shall also be scheduled by the Engineer. The Design-Build Team shall give the Engineer a minimum of 45 days notice before he plans to begin construction activities. This will allow the Engineer time for any environmental agency representatives involved in the permitting process, as well as any other pertinent entities, to be scheduled to attend the preconstruction conference. If the Design-Build Team is responsible for utilities in accordance with Article 105-8 and the Request for Proposals, he shall be responsible for coordinating with the Engineer in scheduling their attendance and for notifying them. The Design-Build Team shall also be responsible for coordinating with the Engineer in scheduling the attendance of subcontractors and others deemed appropriate, and for notifying them.

At the preconstruction conference, a list of any proposed subcontractors and major material suppliers associated with the construction of the project will be submitted.

If the contract has a DBE requirement, the Design-Build Team shall submit copies of completed and signed DBE subcontracts, purchase orders, or invoices to the Department.

The Design-Build Team shall submit a traffic control plan in accordance with Article 1101-5 and the Request for Proposals. The Design-Build Team shall designate an employee who is

competent and experienced in traffic control to implement and monitor the traffic control plan. The qualifications of the designated employee must be satisfactory to the Engineer.

The Design-Build Team shall submit a safety plan and designate an employee as Safety Supervisor.

Both plans shall be submitted at the preconstruction conference and must be satisfactory to the Engineer. Should the design plan include activities that would place personnel on the work site, traffic control and safety plans for those activities shall be submitted at the predesign conference.

During the preconstruction conference, the Engineer will designate a Department employee or employees who will be responsible to see that the traffic control plans and any alterations thereto are implemented and monitored to the end that traffic is carried through the work in an effective manner. If approved by the Engineer, the Design-Build Team may designate one employee to be responsible for both the traffic control and safety plans. The Design-Build Team shall not designate its superintendent as the responsible person for either the traffic control plan or the safety plan, unless approved by the Engineer.

If the project requires that Design-Build Team or State personnel work from falsework, within shoring, or in any other hazardous area the Design-Build Team shall submit, as part of the Design-Build Team's safety plan, specific measures it will use to ensure worker safety.

The Design-Build Team shall also submit a program for erosion control and pollution prevention on all projects involving clearing and grubbing, earthwork, structural work, or other construction, when such work is likely to create erosion or pollution problems.

If the Design-Build Team fails to provide the required submissions, the Engineer may order the preconstruction conference suspended until such time as they are furnished. Work shall not begin until the preconstruction conference has been concluded and the safety plan has been approved, unless authorized by the Engineer. The Design-Build Team shall not be entitled to additional compensation or an extension of contract time resulting from any delays due to such a suspension.

The Design-Build Team shall designate a qualified employee as Quality Control Manager. The Quality Control Manager shall be responsible for implementing and monitoring the quality control requirements of the project.

**Page 1-69, Article 108-4, add the following sentence to the end of this article:**

The Design-Build Team shall record the proceedings of these conferences and distribute the final minutes of the conferences to all attendees.

**Page 1-70, Article 108-6, replace “40%” with “30%” in the 1<sup>st</sup> paragraph.**

**Page 1-71, Article 108-6, replace “35%” with “25%” in the 2<sup>nd</sup> paragraph.**

**Pages 1-72, delete Article 108-8 and replace with the following:**

**108-8 FAILURE TO MAINTAIN SATISFACTORY PROGRESS**

The Engineer will check the Design-Build Team's progress at the time each partial pay request is received. The Design-Build Team's progress may be considered as unsatisfactory if, according to

the Progress schedule, the projected finish date for all work exceeds the scheduled finish date by more than 10%.

When the Design-Build Team's progress is found to be unsatisfactory as described above, the Engineer may make written demand of the Design-Build Team to state in writing the reason for the unsatisfactory progress and produce such supporting data as the Engineer may require or the Design-Build Team may desire to submit. The Engineer will consider the justifications submitted by the Design-Build Team and extensions of the completion date that have or may be allowed in accordance with Article 108-10(B) and as modified herein.

When the Design-Build Team cannot satisfactorily justify the unsatisfactory progress the Engineer may invoke one or more of the following sanctions:

1. Withhold anticipated liquidated damages from amounts currently due or which become due.
2. Remove the Design-Build Team and individual managing firms of the Design-Build Team and / or prequalified design firms from the Department's Prequalified Bidders List.

When any of the above sanctions have been invoked, they shall remain in effect until rescinded by the Engineer.

**Page 1-75, Article 108-10(B), add the following as the first paragraph:**

Only delays to activities which affect the completion date or intermediate contract date will be considered for an extension of contract time. No extensions will be granted until a delay occurs which impacts the project's critical path and extends the work beyond the contract completion date or intermediate completion date. Any extension to the completion date or intermediate contract date will be based on the number of calendar days the completion date or intermediate completion date is impacted as determined by the Engineer's analysis.

**Pages 1-75, delete Subarticle 108-10(B)(1) in its entirety.**

**Page 1-78, Article 108-13, delete bullet (D)(2) in its entirety.**

## **SECTION 109 MEASUREMENT AND PAYMENT**

**Page 1-80, Article 109-2, delete the last sentence of the 1<sup>st</sup> paragraph and replace with the following:**

Payment to the Design-Build Team will be made only for the work completed, certified and accepted in accordance with the terms of the contract.

**Pages 1-85, delete Article 109-4(A) and replace with the following:**

**109-4 PARTIAL PAYMENTS**

**(A) General:**

Partial payments will be based upon progress estimates prepared by the Engineer at least once each month on the date established by the Engineer. Partial payments may be made twice each month if in the judgment of the Engineer the amount of work performed is sufficient to warrant such payment. No partial payment will be made when the total value of work performed since the last partial payment amounts to less than \$10,000.00. Partial payments will be approximate only and will be subject to correction in the final estimate and payment.

When the contract includes one lump sum price for the entire work required by the contract, partial payments for the lump sum design-build price shall be based on a certified Schedule of Values submitted by the successful Design-Build Team and approved by the Engineer. The certification shall indicate the Design-Build Team has reviewed the information submitted and the information accurately represents the work performed for which payment is requested. The certified Schedule of Values shall be submitted no later than 30 calendar days after the date of award. Each item on the certified Schedule of Values shall be assigned a cost and quantity and shall be identified as an activity on the progress schedule. A revised certified Schedule of Values shall be submitted with each update of the Progress schedule as described in Article 108-2, and as modified herein, or when requested by the Engineer. A certified copy of the Table of Quantities shall also be submitted with each payment request. The certification of the Table of Quantities shall indicate the Design-Build Team has reviewed the information submitted and the information accurately represents the materials for the work performed for which payment is requested.

When the contract includes lump sum items for portions of the work required by the contract, and the applicable section of the Specifications or Request for Proposals specify the means by which the total amount bid be included in the partial pay estimates, the Engineer will determine amounts due on the partial pay estimate in accordance with the applicable portion of the Specifications or Request for Proposals.

The Engineer will withhold an amount sufficient to cover anticipated liquidated damages as determined by the Engineer.

**Page 1-86, Subarticle 109-5(D), delete the 4<sup>th</sup> and 5<sup>th</sup> paragraphs and replace with the following:**

Partial payments will not be made on seed or any living or perishable plant materials.

Partial payment requests shall not be submitted by the Design-Build Team until those items requested have corresponding signed and sealed RFC plans accepted by the Department.

**Pages 1-88, Article 109-10, add the following as bullets (E) and (F) under the 1<sup>st</sup> paragraph.**

- (E)** As-Constructed Drawings, As-Built Plans and other documents required elsewhere in this RFP.

**(F)** Documents or guarantees to support any warranty provided by the Design Build Team.

County : Iredell

---

Line #	Item Number	Sec #	Description	Quantity	Unit Cost	Amount
--------	-------------	-------	-------------	----------	-----------	--------

---

**ROADWAY ITEMS**

---

0001	0000996000-N	SP	DESIGN AND CONSTRUCTION	Lump Sum	L.S.	
------	--------------	----	-------------------------	----------	------	--

---

---

1126/Feb21/Q1.0/D996000/E1

**Total Amount Of Bid For Entire Project :**

---



**FUEL USAGE FACTOR CHART AND ESTIMATE OF QUANTITIES**

Description of Work	Units	Fuel Usage Factor Diesel #2	Estimate of Quantities
Unclassified Excavation	Gal / CY	0.29	_____ CY
Borrow Excavation	Gal / CY	0.29	_____ CY
Class IV Subgrade Stabilization Aggregate Base Course Sub-Ballast Aggregate for Cement Treated Base Course	Gal / Ton	0.55	_____ Tons
Portland Cement for Cement Treated Base Course	Gal / Ton	0.55	_____ Tons
Asphalt Concrete Base Course Asphalt Concrete Intermediate Course Asphalt Concrete Surface Course Open-Graded Asphalt Friction Course Permeable Asphalt Drainage Course Sand Asphalt Surface Course, Type SA-1	Gal / Ton	2.90	_____ Tons
<b>Portland Cement Concrete Pavement:</b>			
Thru Lanes and Shoulders (> 11")	Gal / SY	0.327	_____ SY
Thru Lanes and Shoulders (9" to 11")		0.272	_____ SY
Thru Lanes and Shoulders (< 9")		0.245	_____ SY
* Structural Concrete (Cast-in-Place Only)	Gal / CY	0.98	_____ CY

\* Structural Concrete shall be defined as cast-in-place Class A or Class AA concrete used in the construction of major structures for various work items identified in Division 4 of the 2012 Standard Specifications for Roads and Structures.

The above quantities represent a reasonable estimate of the total quantities anticipated, for each item, as pertaining to fuel price adjustments, and is representative of the design proposed in the Technical Proposal submitted under separate cover.

Or

The Design-Build Team elects not to pursue reimbursement for Fuel Price Adjustments on this project.

**The information submitted on this sheet is claimed as a "Trade Secret" in accordance with the requirements of G.S. 66-152(3) until such time as the Price Proposal is opened.**

\_\_\_\_\_  
Signature, Title

\_\_\_\_\_  
Dated

\_\_\_\_\_  
Print Name, Title

*(Submit a copy of this sheet in a separate sealed package with the outer wrapping clearly marked "Fuel Price Adjustment" and deliver with the Technical and Price Proposal.)*

<b>LISTING OF MBE / WBE SUBCONTRACTORS</b>						Sheet _____ of _____
Firm Name and Address	MBE or WBE	Item No.	Item Description	* Agreed upon Unit Price	** Dollar Volume of Item	
<b>Name</b>  Address						
<b>Name</b>  Address						
<b>Name</b>  Address						
<b>Name</b>  Address						
<b>Name</b>  Address						
<b>Name</b>  Address						
<b>Name</b>  Address						

**This form must be completed in order for the Bid to be considered responsive and be publicly read.  
 Bidders with no MBE and / or WBE participation must so indicate this on the form by entering the word or number *zero*.**

<b>LISTING OF MBE / WBE SUBCONTRACTORS</b>						Sheet _____ of _____
Firm Name and Address	MBE or WBE	Item No.	Item Description	* Agreed upon Unit Price	** Dollar Volume of Item	
<b>Name</b>  Address						
<b>Name</b>  Address						
<b>Name</b>  Address						
<b>Name</b>  Address						
<b>Name</b>  Address						
<b>Name</b>  Address						
<b>Name</b>  Address						

**This form must be completed in order for the Bid to be considered responsive and be publicly read.  
 Bidders with no MBE / WBE participation must so indicate this on the form by entering the word or number *zero*.**

<b>LISTING OF MBE / WBE SUBCONTRACTORS</b>						Sheet _____ of _____
Firm Name and Address	MBE or WBE	Item No.	Item Description	* Agreed upon Unit Price	** Dollar Volume of Item	
<b>Name</b>  Address						
<b>Name</b>  Address						
<b>Name</b>  Address						
<b>Name</b>  Address						
<b>Name</b>  Address						
<b>Name</b>  Address						
<b>Name</b>  Address						

**This form must be completed in order for the Bid to be considered responsive and be publicly read.  
Bidders with no MBE / WBE participation must so indicate this on the form by entering the word or number *zero*.**

<b>LISTING OF MBE / WBE SUBCONTRACTORS</b>						Sheet _____ of _____
Firm Name and Address	MBE or WBE	Item No.	Item Description	* Agreed upon Unit Price	** Dollar Volume of Item	
<b>Name</b>  Address						
<b>Name</b>  Address						
<b>Name</b>  Address						
<b>Name</b>  Address						

**COST OF CONSTRUCTION WORK ONLY**

\$ \_\_\_\_\_

\* The Dollar Volume shown in this column shall be the Actual Price Agreed Upon by the Prime Contractor and the MBE and / or WBE subcontractor, and these prices will be used to determine the MBE and / or WBE participation in the contract.

** Dollar Volume of MBE Subcontractor	\$ _____
MBE Percentage of Total Construction Cost (Including Right of Way Acquisition Cost)	_____ %
** Dollar Volume of WBE Subcontractor	\$ _____
WBE Percentage of Total Construction Cost (Including Right of Way Acquisition Cost)	_____ %

\*\* - Must have entry even if figure to be entered is zero.

**This form must be completed in order for the Bid to be considered responsive and be publicly read. Bidders with no MBE / WBE participation must so indicate this on the form by entering the word or number *zero*.**

**EXECUTION OF BID  
NON-COLLUSION AFFIDAVIT, DEBARMENT CERTIFICATION AND GIFT BAN CERTIFICATION**

**CORPORATION**

The person executing the bid, on behalf of the Bidder, being duly sworn, solemnly swears (or affirms) that neither he, nor any official, agent or employee of the bidder has entered into any agreement, participated in any collusion, or otherwise taken any action which is in restraint of free competitive bidding in connection with any bid or contract, that the bidder has not been convicted of violating *N.C.G.S. § 133-24* within the last three years, and that the Bidder intends to do the work with its own bonafide employees or subcontractors and is not bidding for the benefit of another contractor.

In addition, execution of this bid in the proper manner also constitutes the Bidder's certification of status under penalty of perjury under the laws of the United States in accordance with the Debarment Certification attached, provided that the Debarment Certification also includes any required statements concerning exceptions that are applicable.

*N.C.G.S. § 133-32* and Executive Order 24 prohibit the offer to, or acceptance by, any State Employee of any gift from anyone with a contract with the State, or from any person seeking to do business with the State. By execution of any response in this procurement, you attest, for your entire organization and its employees or agents, that you are not aware that any such gift has been offered, accepted, or promised by any employees of your organization.

**SIGNATURE OF CONTRACTOR**

\_\_\_\_\_  
Full name of Corporation

\_\_\_\_\_  
Address as prequalified

Attest \_\_\_\_\_  
Secretary / Assistant Secretary  
*Select appropriate title*

By \_\_\_\_\_  
President / Vice President / Assistant Vice President  
*Select appropriate title*

\_\_\_\_\_  
Print or type Signer's name

\_\_\_\_\_  
Print or type Signer's name

**CORPORATE SEAL**

**EXECUTION OF BID  
NON-COLLUSION AFFIDAVIT, DEBARMENT CERTIFICATION AND GIFT BAN CERTIFICATION**

**PARTNERSHIP**

The person executing the bid, on behalf of the Bidder, being duly sworn, solemnly swears (or affirms) that neither he, nor any official, agent or employee of the bidder has entered into any agreement, participated in any collusion, or otherwise taken any action which is in restraint of free competitive bidding in connection with any bid or contract, that the bidder has not been convicted of violating *N.C.G.S. § 133-24* within the last three years, and that the Bidder intends to do the work with its own bonafide employees or subcontractors and is not bidding for the benefit of another contractor.

In addition, execution of this bid in the proper manner also constitutes the Bidder's certification of status under penalty of perjury under the laws of the United States in accordance with the Debarment Certification attached, provided that the Debarment Certification also includes any required statements concerning exceptions that are applicable.

*N.C.G.S. § 133-32* and Executive Order 24 prohibit the offer to, or acceptance by, any State Employee of any gift from anyone with a contract with the State, or from any person seeking to do business with the State. By execution of any response in this procurement, you attest, for your entire organization and its employees or agents, that you are not aware that any such gift has been offered, accepted, or promised by any employees of your organization.

**SIGNATURE OF CONTRACTOR**

\_\_\_\_\_  
Full Name of Partnership

\_\_\_\_\_  
Address as Prequalified

By

\_\_\_\_\_  
Signature of Witness

\_\_\_\_\_  
Signature of Partner

\_\_\_\_\_  
Print or type Signer's name

\_\_\_\_\_  
Print or type Signer's name

**EXECUTION OF BID  
NON-COLLUSION AFFIDAVIT, DEBARMENT CERTIFICATION AND GIFT BAN CERTIFICATION**

**LIMITED LIABILITY COMPANY**

The person executing the bid, on behalf of the Bidder, being duly sworn, solemnly swears (or affirms) that neither he, nor any official, agent or employee of the bidder has entered into any agreement, participated in any collusion, or otherwise taken any action which is in restraint of free competitive bidding in connection with any bid or contract, that the bidder has not been convicted of violating *N.C.G.S. § 133-24* within the last three years, and that the Bidder intends to do the work with its own bonafide employees or subcontractors and is not bidding for the benefit of another contractor.

In addition, execution of this bid in the proper manner also constitutes the Bidder's certification of status under penalty of perjury under the laws of the United States in accordance with the Debarment Certification attached, provided that the Debarment Certification also includes any required statements concerning exceptions that are applicable.

*N.C.G.S. § 133-32* and Executive Order 24 prohibit the offer to, or acceptance by, any State Employee of any gift from anyone with a contract with the State, or from any person seeking to do business with the State. By execution of any response in this procurement, you attest, for your entire organization and its employees or agents, that you are not aware that any such gift has been offered, accepted, or promised by any employees of your organization.

**SIGNATURE OF CONTRACTOR**

\_\_\_\_\_  
Full Name of Firm

\_\_\_\_\_  
Address as Prequalified

\_\_\_\_\_  
Signature of Witness

\_\_\_\_\_  
Signature of Member / Manager / Authorized Agent  
*Select appropriate title*

\_\_\_\_\_  
Print or type Signer's name

\_\_\_\_\_  
Print or type Signer's Name



**EXECUTION OF BID  
NON-COLLUSION AFFIDAVIT, DEBARMENT CERTIFICATION AND GIFT BAN CERTIFICATION  
JOINT VENTURE (2) or (3)**

The person executing the bid, on behalf of the Bidder, being duly sworn, solemnly swears (or affirms) that neither he, nor any official, agent or employee of the bidder has entered into any agreement, participated in any collusion, or otherwise taken any action which is in restraint of free competitive bidding in connection with any bid or contract, that the bidder has not been convicted of violating N.C.G.S. § 133-24 within the last three years, and that the Bidder intends to do the work with its own bonafide employees or subcontractors and is not bidding for the benefit of another contractor.

In addition, execution of this bid in the proper manner also constitutes the Bidder's certification of status under penalty of perjury under the laws of the United States in accordance with the Debarment Certification attached, provided that the Debarment Certification also includes any required statements concerning exceptions that are applicable.

N.C.G.S. § 133-32 and Executive Order 24 prohibit the offer to, or acceptance by, any State Employee of any gift from anyone with a contract with the State, or from any person seeking to do business with the State. By execution of any response in this procurement, you attest, for your entire organization and its employees or agents, that you are not aware that any such gift has been offered, accepted, or promised by any employees of your organization.

**SIGNATURE OF CONTRACTORS**

Instructions: **2 Joint Venturers** Fill in lines (1), (2) and (3) and execute. **3 Joint Venturers** Fill in lines (1), (2), (3) and (4) and execute. On Line (1), fill in the name of the Joint Venture Company. On Line (2), fill in the name of one of the joint venturers and execute below in the appropriate manner. On Line (3), print or type the name of the other joint venturer and execute below in the appropriate manner. On Line (4), fill in the name of the third joint venturer, if applicable and execute below in the appropriate manner.

(1) \_\_\_\_\_  
Name of Joint Venture

(2) \_\_\_\_\_  
Name of Contractor

\_\_\_\_\_  
Address as prequalified

\_\_\_\_\_  
Signature of Witness or Attest By \_\_\_\_\_  
Signature of Contractor  
\_\_\_\_\_  
Print or type Signer's name \_\_\_\_\_  
Print or type Signer's name

*If Corporation, affix Corporate Seal* and

(3) \_\_\_\_\_  
Name of Contractor

\_\_\_\_\_  
Address as prequalified

\_\_\_\_\_  
Signature of Witness or Attest By \_\_\_\_\_  
Signature of Contractor  
\_\_\_\_\_  
Print or type Signer's name \_\_\_\_\_  
Print or type Signer's name

*If Corporation, affix Corporate Seal* and

(4) \_\_\_\_\_  
Name of Contractor (for 3 Joint Venture only)

\_\_\_\_\_  
Address as prequalified

\_\_\_\_\_  
Signature of Witness or Attest By \_\_\_\_\_  
Signature of Contractor  
\_\_\_\_\_  
Print or type Signer's name \_\_\_\_\_  
Print or type Signer's name

*If Corporation, affix Corporate Seal*

**EXECUTION OF BID  
NON-COLLUSION AFFIDAVIT, DEBARMENT CERTIFICATION AND GIFT BAN CERTIFICATION**

**INDIVIDUAL DOING BUSINESS UNDER A FIRM NAME**

The person executing the bid, on behalf of the Bidder, being duly sworn, solemnly swears (or affirms) that neither he, nor any official, agent or employee of the bidder has entered into any agreement, participated in any collusion, or otherwise taken any action which is in restraint of free competitive bidding in connection with any bid or contract, that the bidder has not been convicted of violating *N.C.G.S. § 133-24* within the last three years, and that the Bidder intends to do the work with its own bonafide employees or subcontractors and is not bidding for the benefit of another contractor.

In addition, execution of this bid in the proper manner also constitutes the Bidder's certification of status under penalty of perjury under the laws of the United States in accordance with the Debarment Certification attached, provided that the Debarment Certification also includes any required statements concerning exceptions that are applicable.

*N.C.G.S. § 133-32* and Executive Order 24 prohibit the offer to, or acceptance by, any State Employee of any gift from anyone with a contract with the State, or from any person seeking to do business with the State. By execution of any response in this procurement, you attest, for your entire organization and its employees or agents, that you are not aware that any such gift has been offered, accepted, or promised by any employees of your organization.

**SIGNATURE OF CONTRACTOR**

Name of Contractor

\_\_\_\_\_ Individual name

Trading and doing business as

\_\_\_\_\_ Full name of Firm

\_\_\_\_\_ Address as Prequalified

\_\_\_\_\_ Signature of Witness

\_\_\_\_\_ Signature of Contractor, Individually

\_\_\_\_\_ Print or type Signer's name

\_\_\_\_\_ Print or type Signer's name

**EXECUTION OF BID  
NON-COLLUSION AFFIDAVIT, DEBARMENT CERTIFICATION AND GIFT BAN CERTIFICATION**

**INDIVIDUAL DOING BUSINESS IN HIS OWN NAME**

The person executing the bid, on behalf of the Bidder, being duly sworn, solemnly swears (or affirms) that neither he, nor any official, agent or employee of the bidder has entered into any agreement, participated in any collusion, or otherwise taken any action which is in restraint of free competitive bidding in connection with any bid or contract, that the bidder has not been convicted of violating *N.C.G.S. § 133-24* within the last three years, and that the Bidder intends to do the work with its own bonafide employees or subcontractors and is not bidding for the benefit of another contractor.

In addition, execution of this bid in the proper manner also constitutes the Bidder's certification of status under penalty of perjury under the laws of the United States in accordance with the Debarment Certification attached, provided that the Debarment Certification also includes any required statements concerning exceptions that are applicable.

*N.C.G.S. § 133-32* and Executive Order 24 prohibit the offer to, or acceptance by, any State Employee of any gift from anyone with a contract with the State, or from any person seeking to do business with the State. By execution of any response in this procurement, you attest, for your entire organization and its employees or agents, that you are not aware that any such gift has been offered, accepted, or promised by any employees of your organization.

**SIGNATURE OF CONTRACTOR**

Name of Contractor \_\_\_\_\_  
Print or type Individual name

\_\_\_\_\_  
Address as Prequalified

\_\_\_\_\_  
Signature of Contractor, Individually

\_\_\_\_\_  
Print or type Signer's Name

\_\_\_\_\_  
Signature of Witness

\_\_\_\_\_  
Print or type Signer's name

**DEBARMENT CERTIFICATION**

Conditions for certification:

1. The prequalified bidder shall provide immediate written notice to the Department if at any time the bidder learns that his certification was erroneous when he submitted his debarment certification or explanation that is file with the Department, or has become erroneous because of changed circumstances.
2. The terms *covered transaction, debarred, suspended, ineligible, lower tier covered transaction, participant, person, primary covered transaction, principal, proposal, and voluntarily excluded*, as used in this provision, have the meanings set out in the Definitions and Coverage sections of the rules implementing Executive Order 12549. A copy of the Federal Rules requiring this certification and detailing the definitions and coverages may be obtained from the Contract Officer of the Department.
3. The prequalified bidder agrees by submitting this form, that he will not knowingly enter into any lower tier covered transaction with a person who is debarred, suspended, declared ineligible, or voluntarily excluded from participation in NCDOT contracts, unless authorized by the Department.
4. For Federal Aid projects, the prequalified bidder further agrees that by submitting this form he will include the Federal-Aid Provision titled *Required Contract Provisions Federal-Aid Construction Contract (Form FHWA PR 1273)* provided by the Department, without subsequent modification, in all lower tier covered transactions.
5. The prequalified bidder may rely upon a certification of a participant in a lower tier covered transaction that he is not debarred, suspended, ineligible, or voluntarily excluded from the covered transaction, unless he knows that the certification is erroneous. The bidder may decide the method and frequency by which he will determine the eligibility of his subcontractors.
6. Nothing contained in the foregoing shall be construed to require establishment of a system of records in order to render in good faith the certification required by this provision. The knowledge and information of a participant is not required to exceed that which is normally possessed by a prudent person in the ordinary course of business dealings.
7. Except as authorized in paragraph 6 herein, the Department may terminate any contract if the bidder knowingly enters into a lower tier covered transaction with a person who is suspended, debarred, ineligible, or voluntarily excluded from participation in this transaction, in addition to other remedies available by the Federal Government.

**DEBARMENT CERTIFICATION**

The prequalified bidder certifies to the best of his knowledge and belief, that he and his principals:

- a. Are not presently debarred, suspended, proposed for debarment, declared ineligible, or voluntarily excluded from covered transactions by any Federal department or agency;
- b. Have not within a three-year period preceding this proposal been convicted of or had a civil judgment rendered against them for commission of fraud or a criminal offense in connection with obtaining, attempting to obtain, or performing a public (Federal, State or local) transaction or contract under a public transaction; violation of Federal or State antitrust statutes or commission of embezzlement, theft, forgery, bribery, falsification or destruction of records; making false statements; or receiving stolen property;
- c. Are not presently indicted for or otherwise criminally or civilly charged by a governmental entity (Federal, State or local) with commission of any of the offenses enumerated in paragraph b. of this certification; and
- d. Have not within a three-year period preceding this proposal had one or more public transactions (Federal, State or local) terminated for cause or default.
- e. Will submit a revised Debarment Certification immediately if his status changes and will show in his bid proposal an explanation for the change in status.

If the prequalified bidder cannot certify that he is not debarred, he shall provide an explanation with this submittal. An explanation will not necessarily result in denial of participation in a contract.

Failure to submit a non-collusion affidavit and debarment certification will result in the prequalified bidder's bid being considered non-responsive.

Check here if an explanation is attached to this certification.

**Contract No:**     **C204163**

**County:**           **Iredell**

ACCEPTED BY THE  
DEPARTMENT OF TRANSPORTATION

---

Contract Officer

---

Date

Execution of Contract and Bonds  
Approved as to Form:

---

Attorney General